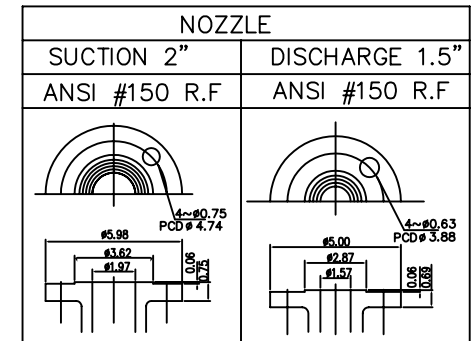
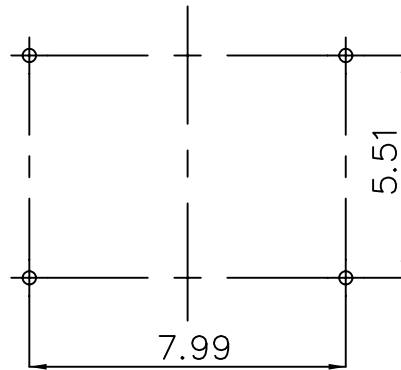
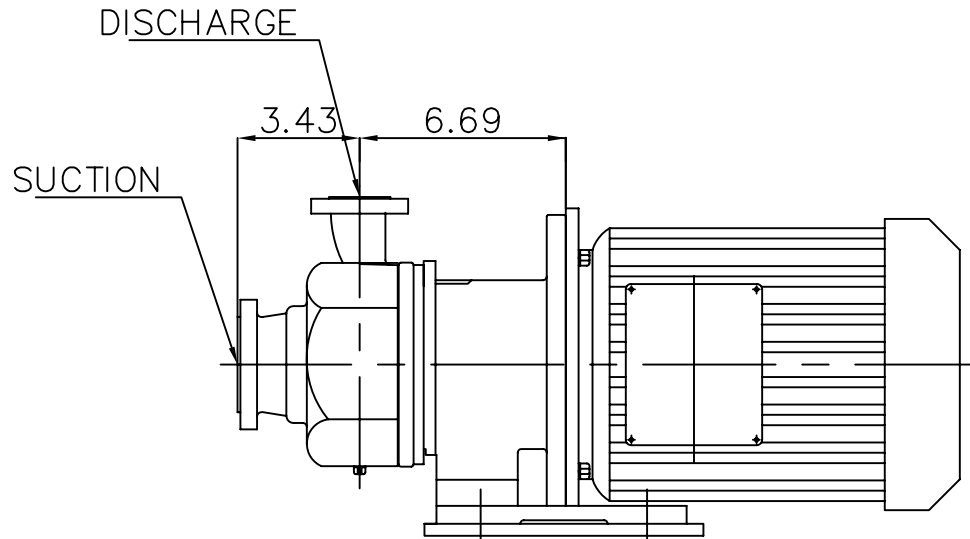
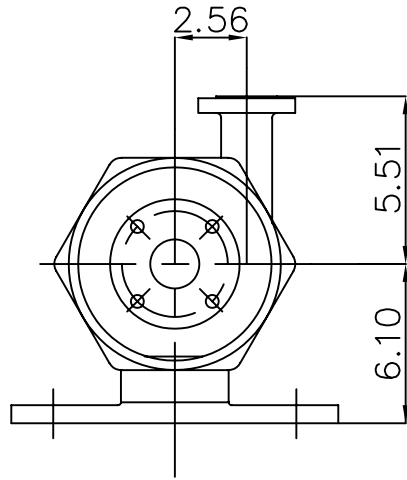


MODEL : TNP S2x1.5-6



SPECIFICATION

CAPACITY	-	GPM
HEAD	-	ft

WEIGHTS(lbs)

PUMP	44
TOTAL	44

JEON	MIN	MIN	MIN	-	REV. 0
DWN	DSND	CHKD	APPD	DESCRIPTION	
SCALE	N/S			CUSTOMER	SET
GROUP NO.	ITEM NO.			DWG NO.	
REF NO.	OUTLINE DRAWING			TNP-2156S01	



A NEW VISION FOR QUALITY PUMPS