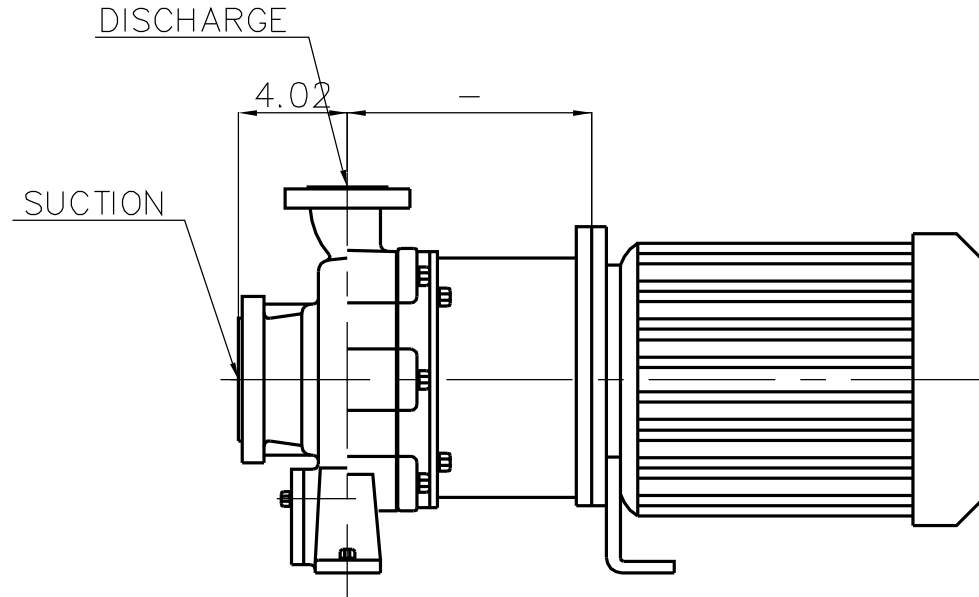
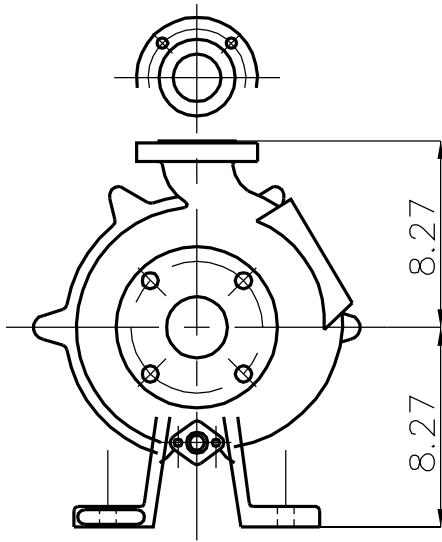


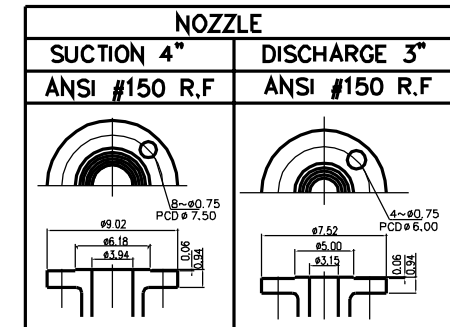
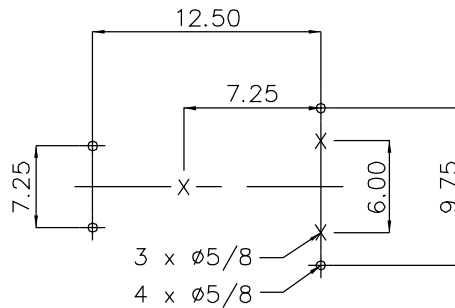
TNP-4360M01

DWG NO.

MODEL : TNP M 4x3-6



GROUP 1 - X
GROUP 2 - ⊕



SPECIFICATION

CAPACITY	-	GPM
HEAD	-	ft
<u>WEIGHTS(lbs)</u>		
PUMP	176	
TOTAL	176	

JEON	MIN	MIN	MIN		REV. 0
DWN	DSND	CHKD	APPD	DESCRIPTION	
SCALE N/S		CUSTOMER		SET	
GROUP NO.		ITEM NO.		DWG NO.	
REF NO.		OUTLINE DRAWING		TNP-4360M01	