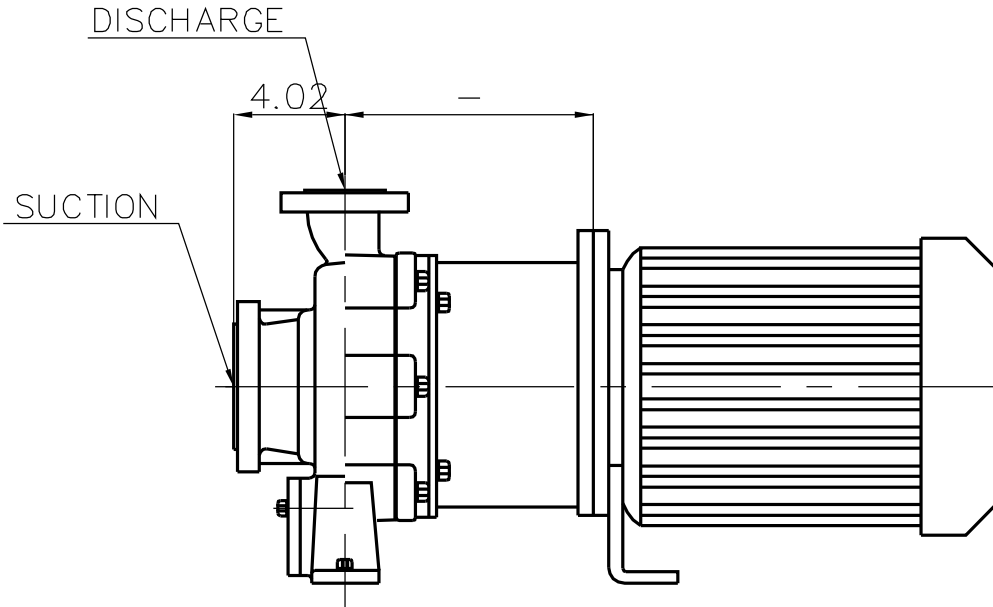
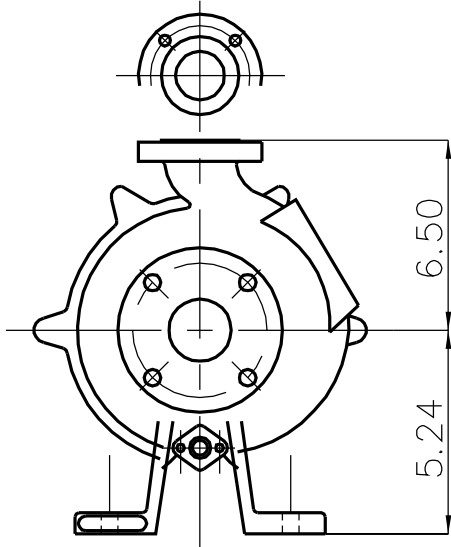


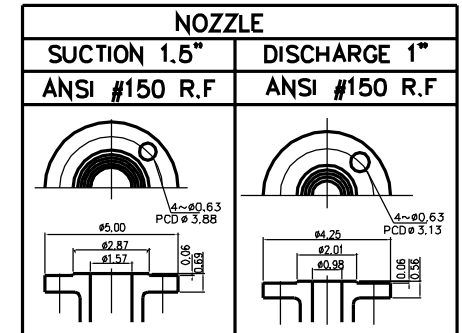
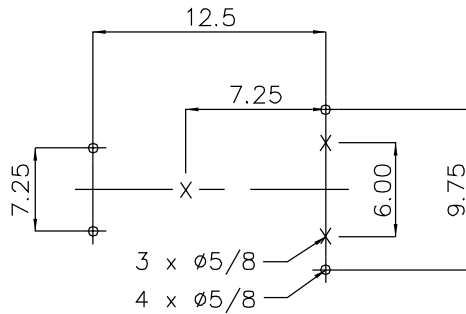
TNP-1518M01

ON DWG

**MODEL : TNP M 1.5x1-8**



GROUP 1 - X  
GROUP 2 - ⊕



SPECIFICATION

CAPACITY	—	GPM
HEAD	—	ft
WEIGHTS(kgf)		
PUMP	160.6	
TOTAL	160.6	

JEON	MIN	MIN	MIN		REV. 0
DWN	DSND	CHKD	APPD	DESCRIPTION	
SCALE N/S		CUSTOMER -		SET	
GROUP NO. □□□□		ITEM NO. -		DWG NO. TNP-1518M01	
REF NO.		OUTLINE DRAWING			