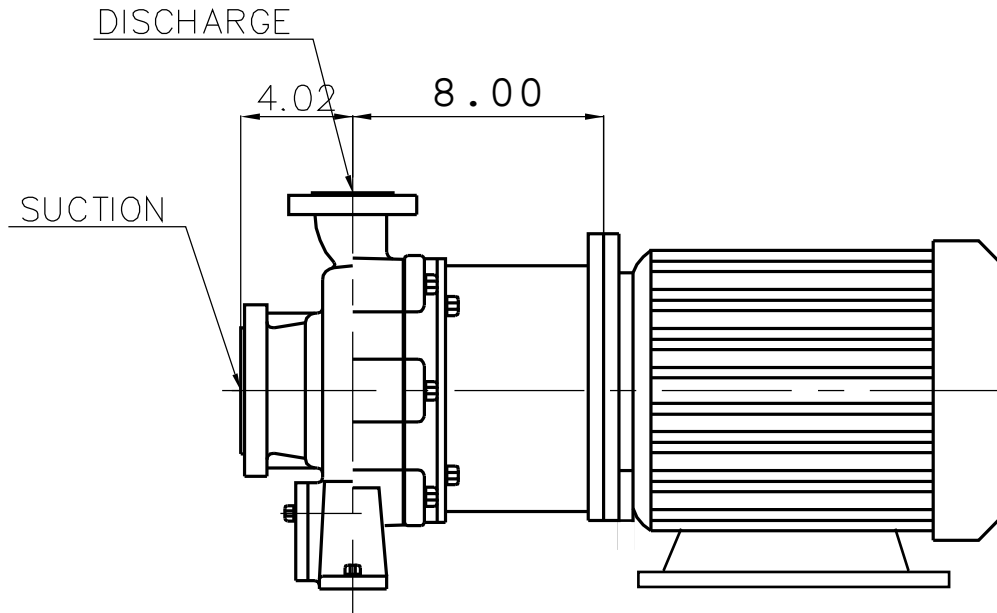
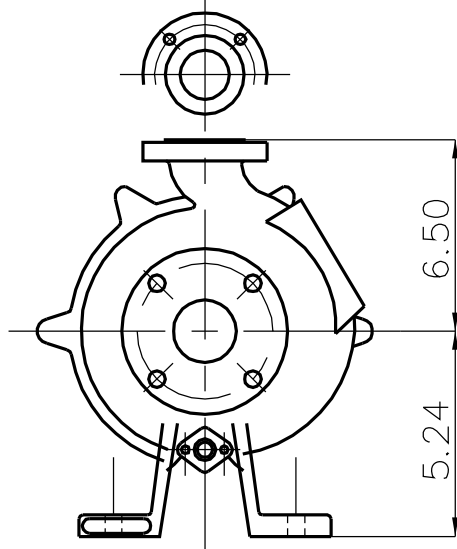


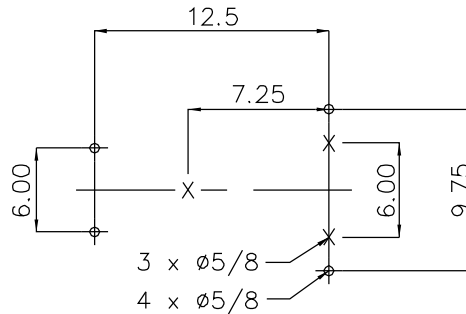
TNP-1516M01

DWG NO.

MODEL : TNP M 1.5x1-8



GROUP 1 - X
GROUP 2 - ⌀



NOZZLE	
SUCTION 1.5"	DISCHARGE 1"
ANSI #150 R.F	ANSI #150 R.F

SPECIFICATION

CAPACITY	-	GPM
HEAD	-	ft

WEIGHTS(lbs)

PUMP	147.4
TOTAL	147.4

JEON	MIN	MIN	MIN		REV. 0
DWN	DSND	CHKD	APPD	DESCRIPTION	
SCALE	CUSTOMER		SET		
GROUP NO.	ITEM NO.		DWG NO.		
REF NO.	OUTLINE DRAWING		TNP-1516M01		