



# RC 250-35 6P

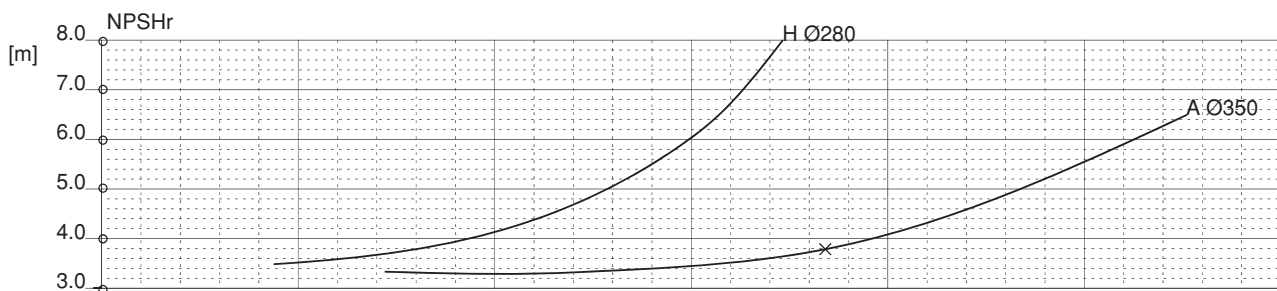
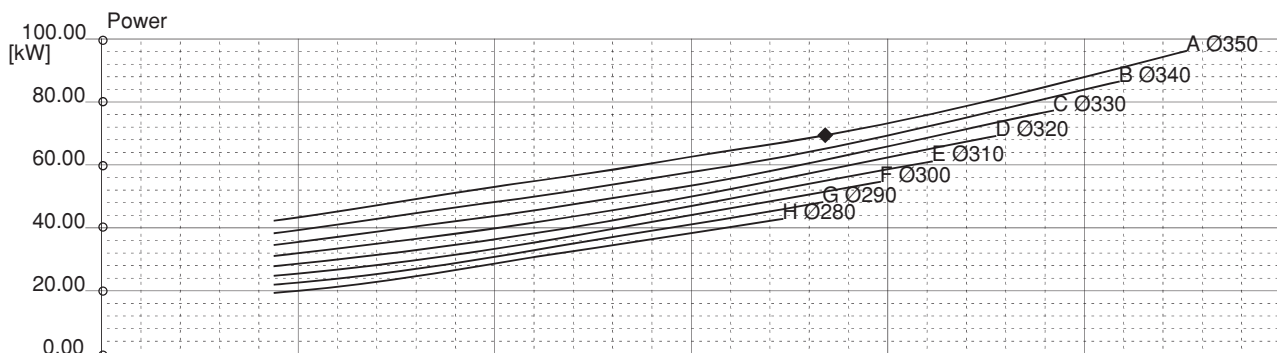
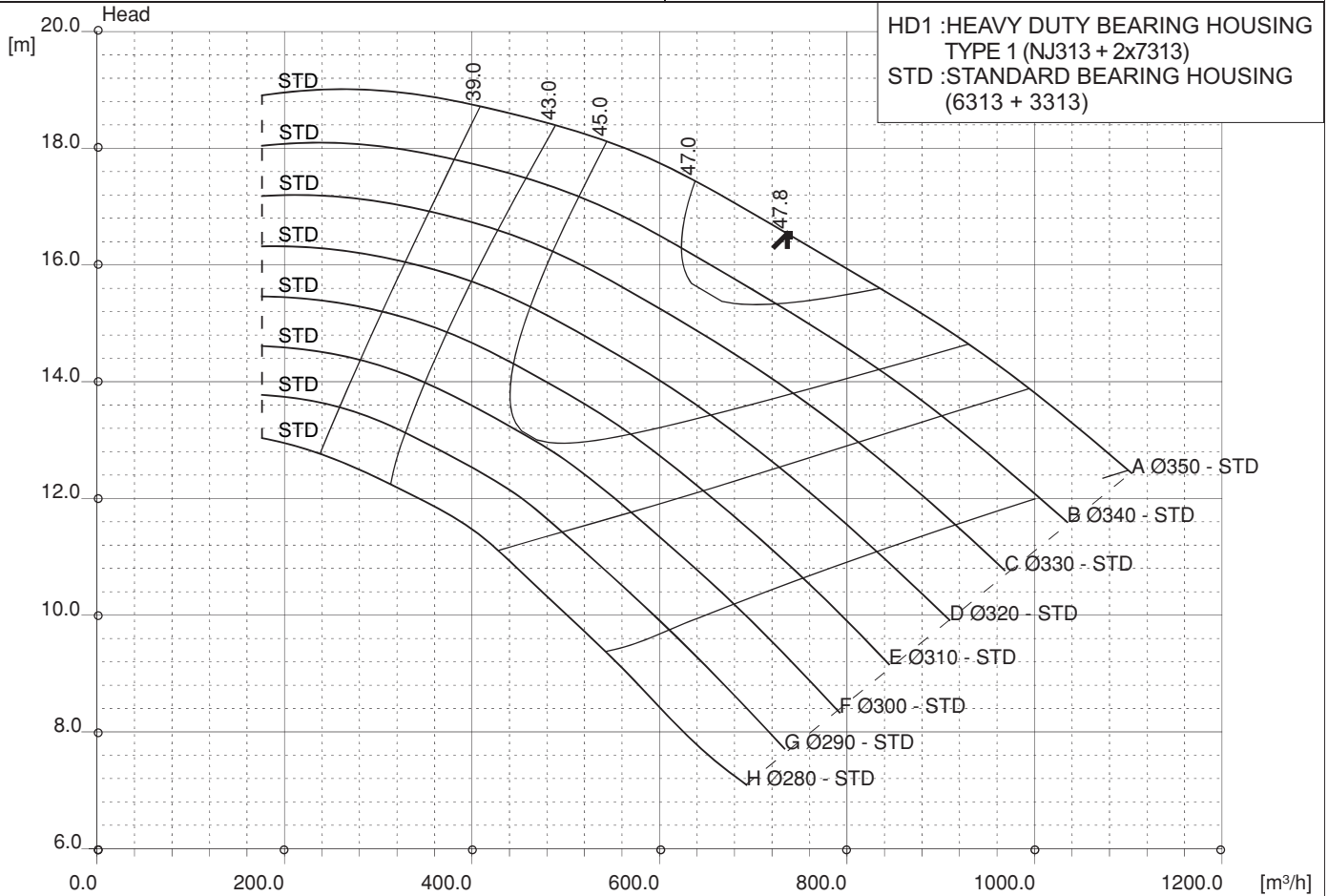
1150 [rpm]  
1 Stage

Curve N.

T-2099

Max. diameter <b>350 [mm]</b>	Min. diameter <b>280 [mm]</b>	Maxspeed <b>1199 [rpm]</b>	Suction Ø <b>300 [mm]</b>	Discharge Ø <b>250 [mm]</b>
----------------------------------	----------------------------------	-------------------------------	------------------------------	--------------------------------

Density 1 and viscosity 1 cSt Replace any previous edition



Comments						
Diffuser	Impeller	NS <b>63</b>	SSS <b>192</b>	Author	Date <b>Dec7,2011</b>	Revision