

API 610 10th ed. Double Suction Volute Pump(BB1)

DSV

Series



API 610 10th ed. Double Suction Volute Pump(BB1)



DSV SERIES

API 610 Double Suction Pump(BB1)

- Max.Capacity :
13000m³/h (57000GPM)
- Max.Head : 210m (690ft)
- Temperature : 180°C (6100°F)
- Allowed Pressure :
24kg/cm² (340psi)
- Power : 2500kw (3400HP)
- Material : DCI, WCB, CF8M, CD4M,
CN7M, HASTELLOY B&C
- Horizontal split casing for easy maintenance
- Replaceable wear rings to protect impeller
and casing
- Wide range of mechanical seal arrangements
- Fully order-production by customer's requirements

TRUFLO DSV is an axially split, single stage pump designed to API 610(BB1), 10th edition.

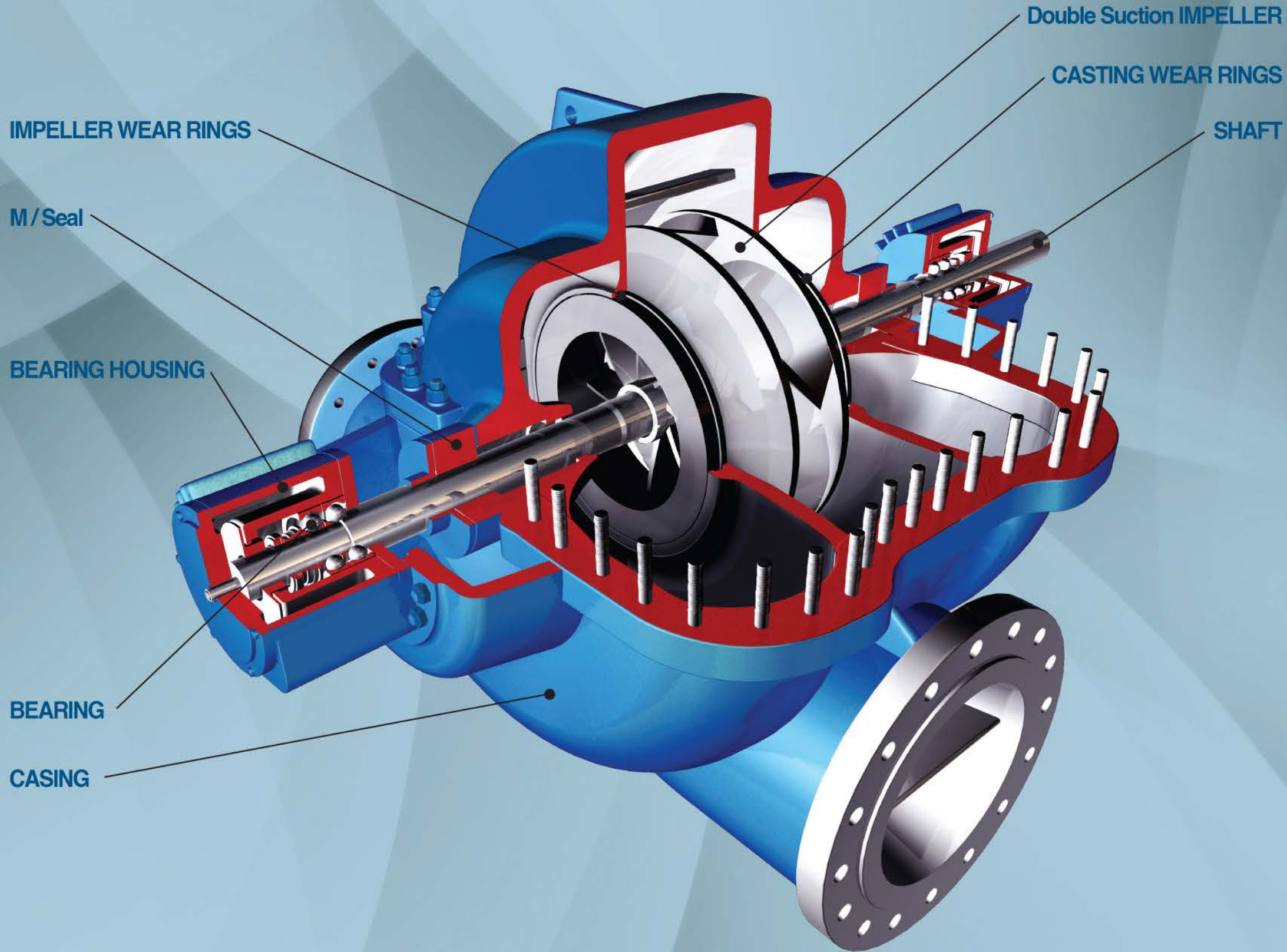
Double suction impeller provides hydraulic axial balance and designed for maximum hydraulic efficiency

Double volute design minimizes hydraulic radial loads, even at minimum flow. Stiff shaft design ensures trouble-free performance by operating under the first critical speed.

Extensive hydraulic coverage

APPLICATION

- _ Hydrocarbon and water transfer
- _ Petroleum refining, production and distribution
- _ Petrochemical and heavy-duty chemical processing
- _ Hydrocarbon and water pipeline
- _ Power generation
- _ Gas scrubbing
- _ Firefighting
- _ Cooling water



Double Volute, Axially Split Casing Design

Minimizing hydraulic radial forces
Reducing shaft deflection
Increasing the life of bearings, seals and wear rings

Suction and Discharge Nozzles

Nozzles are designed API 610 specifications

Centerline Mounted

Engineered Foot mounted for service temperatures

Confined Gasket Design

eliminates corrosion of bolts and nuts

Raised Face Flanges

- ANSI 150 lbs
- ANSI 300 lbs

Casing and Impeller Wear Rings

API610 requirements

Double Suction Impeller

Providing hydraulic axial balance

API 682 Seal Chambers

To meet required safety and environmental requirements

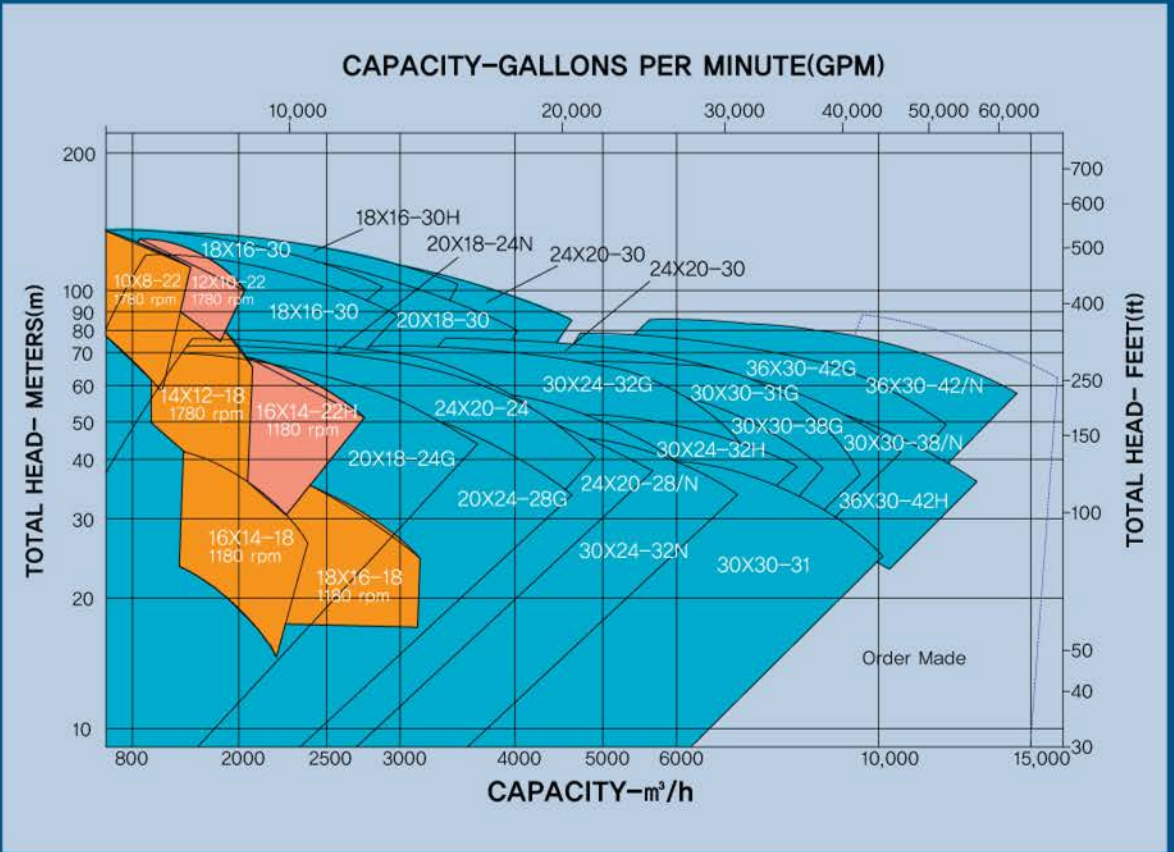
Baseplate Designs

Provided to customer requirements

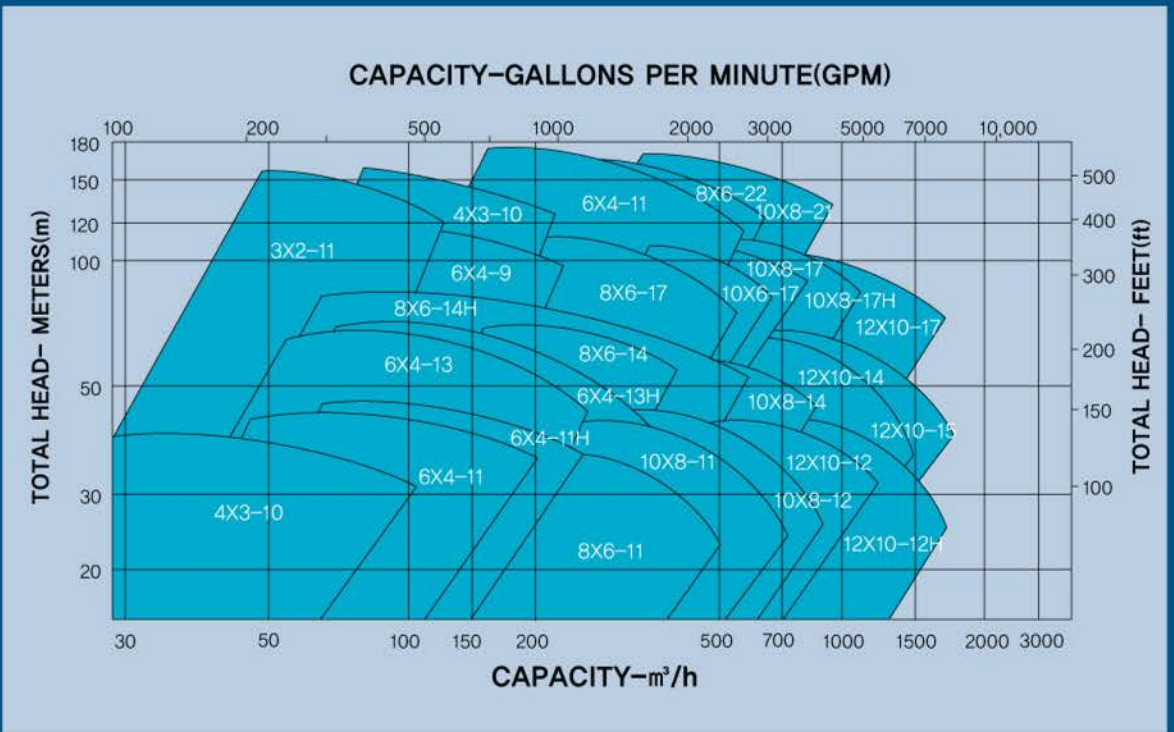
API 610 10th ed. **Double Suction Volute Pump (BB1)**

PUMP SELECTION GUIDE

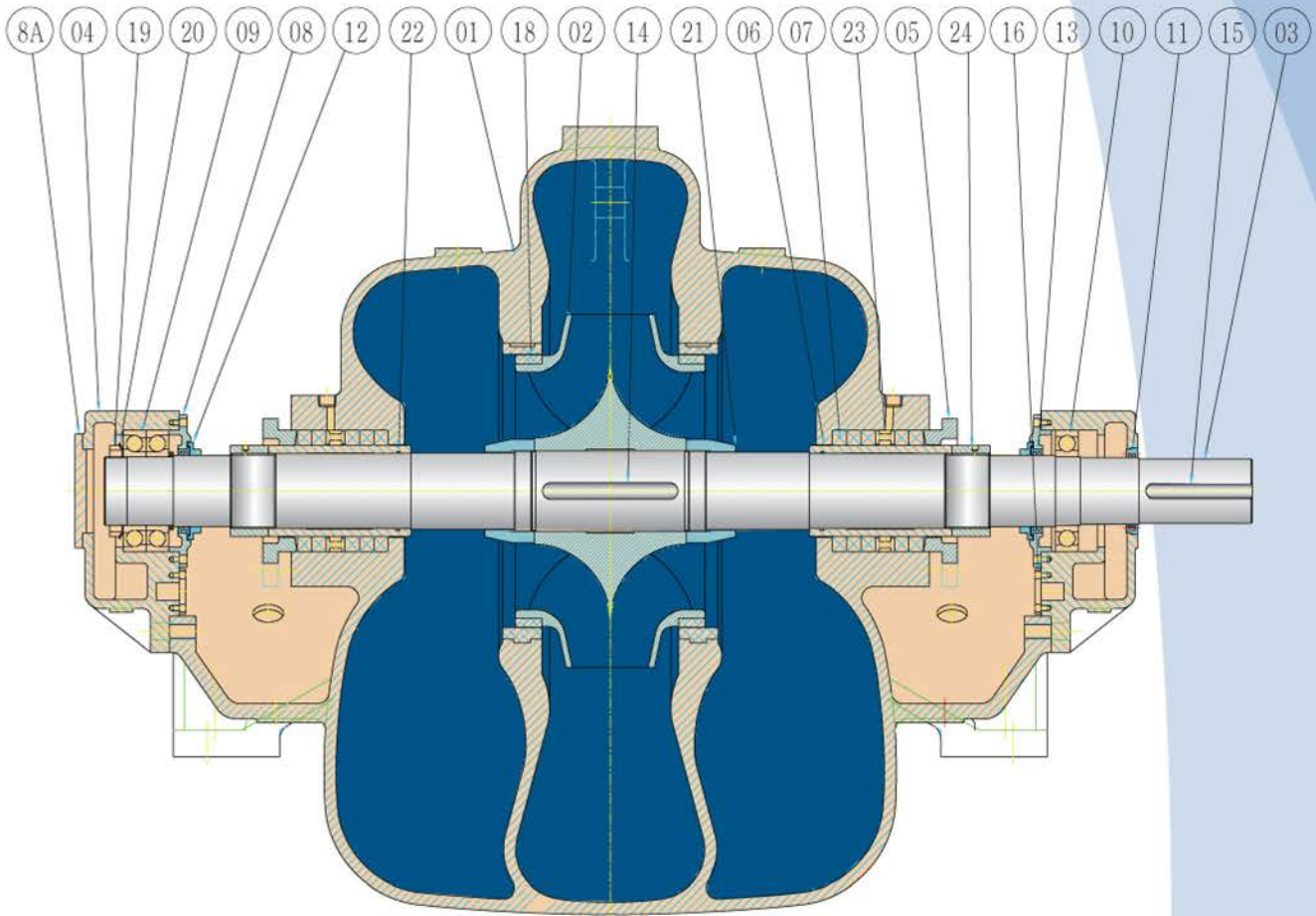
3500/2850 RPM(60HZ)



1750/1450 RPM(50HZ)



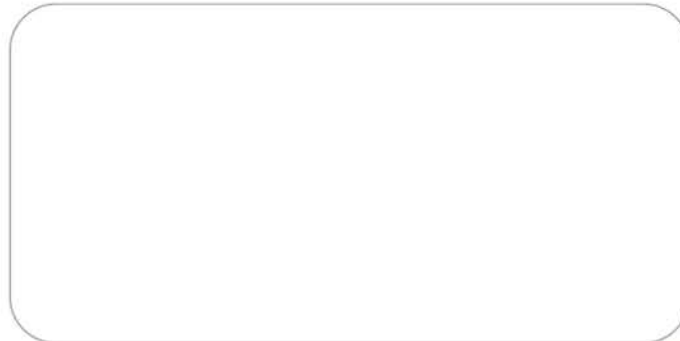
SECTIONAL



NO	NAME OF PART
1	CASING
2	IMPELLER
3	SHAFT
4	BRG.HOUSING
5	GLAND
6	SLEEVE SPACE
7	PACKING
8	BRG.COVER
8A	BRG.COVER (OUT BOARD)
9	BEARING

NO	NAME OF PART
10	BEARING
11	LABYRINTH(COUPLING)
12	LABYRINTH (IN)
13	LABYRINTH (OUT)
14	IMPELLER KEY
15	COUPLING KEY
16	COOLING COVER
17	GASKET(CASING&CASING)
18	IMPELLER WEARING
19	LOCK NUT

NO	NAME OF PART
20	LOCK WASHER
21	IMPELLER NUT
22	SLEEVE GASKET (O-RING)
23	LANTERN RING
24	SLEEVE NUT
B1	CASING & CASING
B2	CASING & BRG.HOUSING
B3	BRG.HOUSING & COVER
B4	BRG.HOUSING & COOLING COVER



TRUFLO PUMPS, INC

7105 Cessna Dr, Greensboro, NC 27409 T.(336)664-9225 F.(336)664-1353

www.truflo.com

* Contents in this leaflet are subject to change without prior notice.