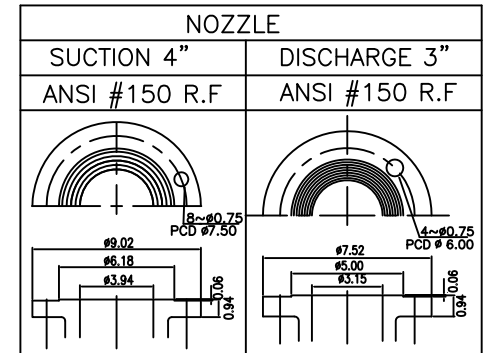
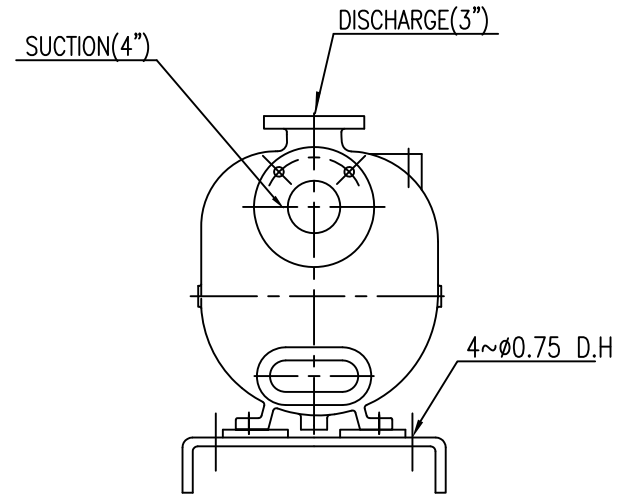
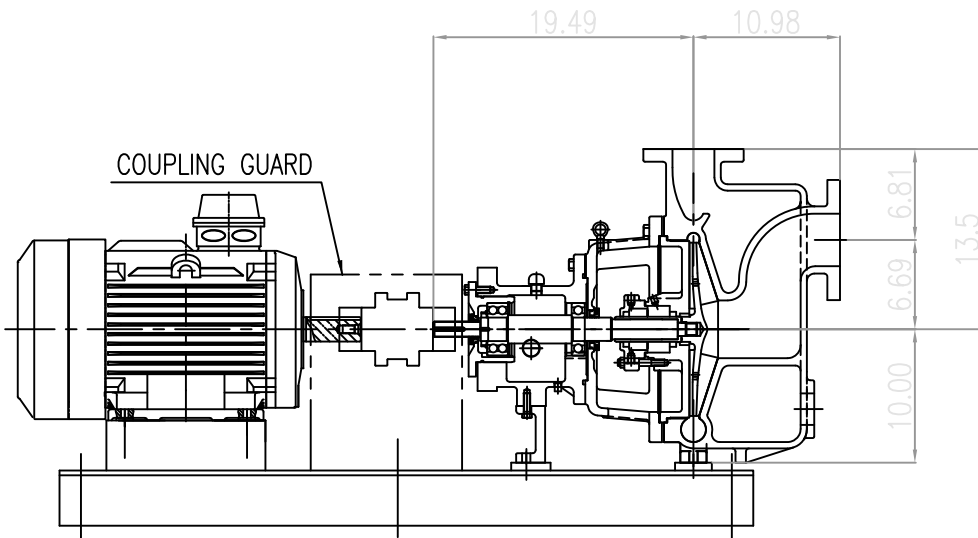


DSP-4313M01

DMG ON

MODEL : DSP 4x3-13



SPECIFICATION

CAPACITY	-	GPM
HEAD	-	ft
WEIGHTS(lbs)		
PUMP	374	
TOTAL	374	

JEON	MIN	MIN	MIN	-	REV. 0
DWN	DSND	CHKD	APPD	DESCRIPTION	
SCALE		CUSTOMER		SET	
N/S		-			
GROUP NO.		ITEM NO.		DWG NO.	
		-		DSP-4313M01	
REF NO.		OUTLINE DRAWING			



A NEW VISION FOR QUALITY PUMPS