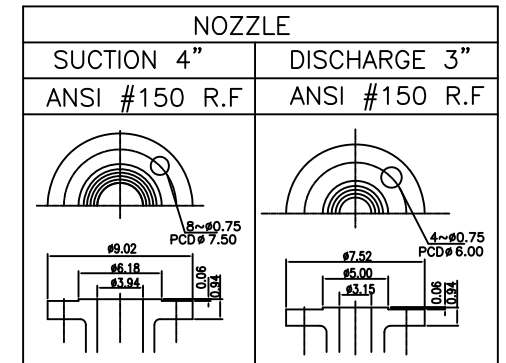
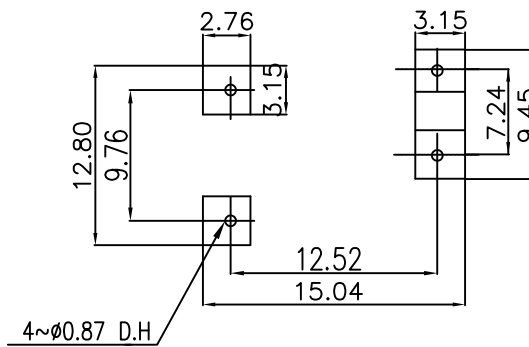
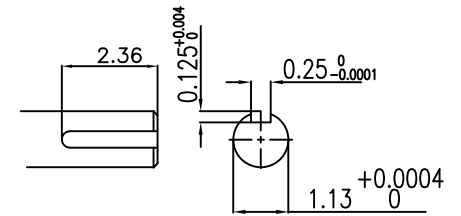
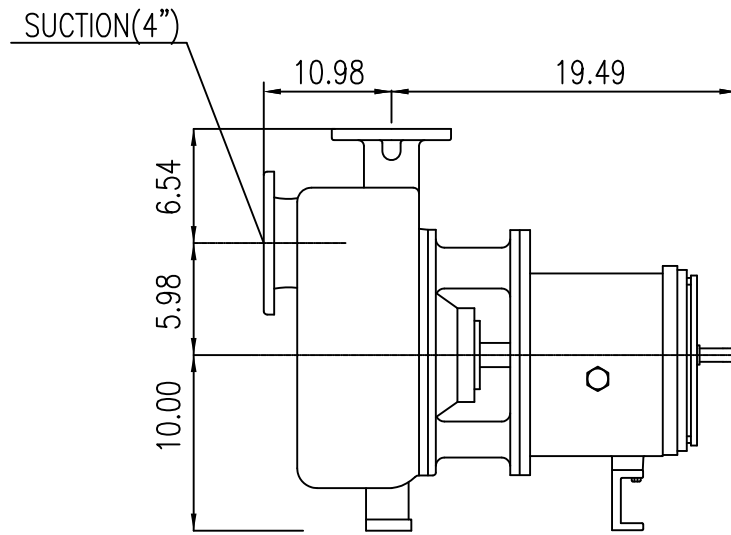
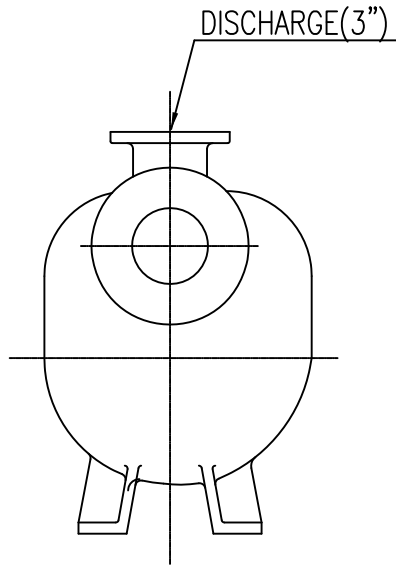


DSP-4310M01

MODEL : DSP 4x3-10H



SPECIFICATION

CAPACITY	-	GPM
HEAD	-	ft
<u>WEIGHTS(lbs)</u>		
PUMP	330.7	
TOTAL	330.7	

NOZZLE LOADINGS

		Suction	Discharge
	lbs Fx	198.4	121.3
	lbs Fy	370.4	429.9
	lbs Fz	390.2	244.7
	ft-lbs Mx	766.7	571.4
	ft-lbs My	528.0	376.1
	ft-lbs Mz	434.0	325.5

JEON	MIN	MIN	MIN	-	REV. 0
DWN	DSND	CHKD	APPD	DESCRIPTION	
SCALE N/S			CUSTOMER	QTY	
GROUP NO.		ITEM NO. - (- PUMP)		DWG NO.	
REF NO.		PUMP OUTLINE DRAWING		DSP-4310M01	