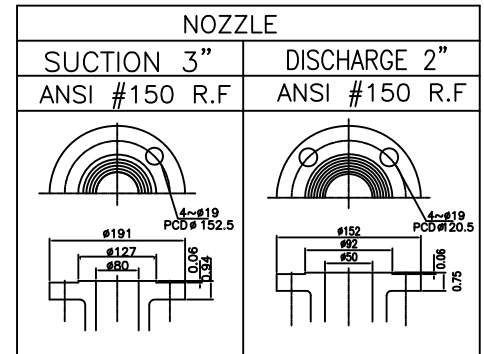
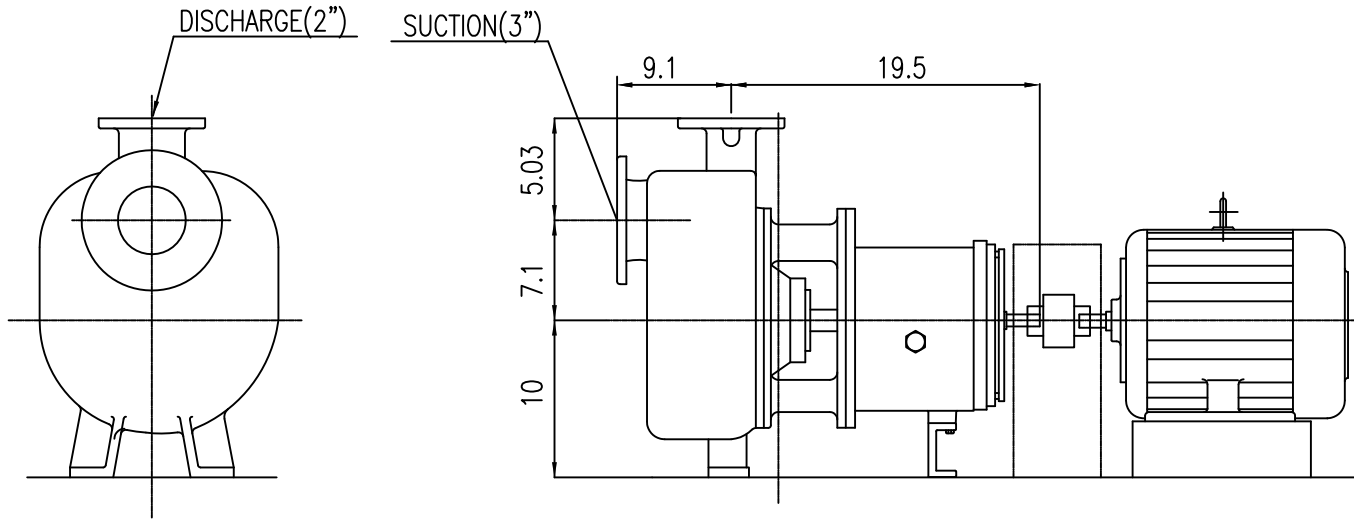


MODEL : DSP 3x2-13



SPECIFICATION

CAPACITY	-	GPM
HEAD	-	ft
<u>WEIGHTS(lbs)</u>		
PUMP	331	
TOTAL	331	

JEON	MIN	MIN	MIN	-	REV. 0
DWN	DSND	CHKD	APPD	DESCRIPTION	
SCALE	CUSTOMER			SET	
GROUP NO.	ITEM NO.			DWG NO.	
REF NO.	OUTLINE DRAWING			DSP-3213M01	



A NEW VISION FOR QUALITY PUMPS