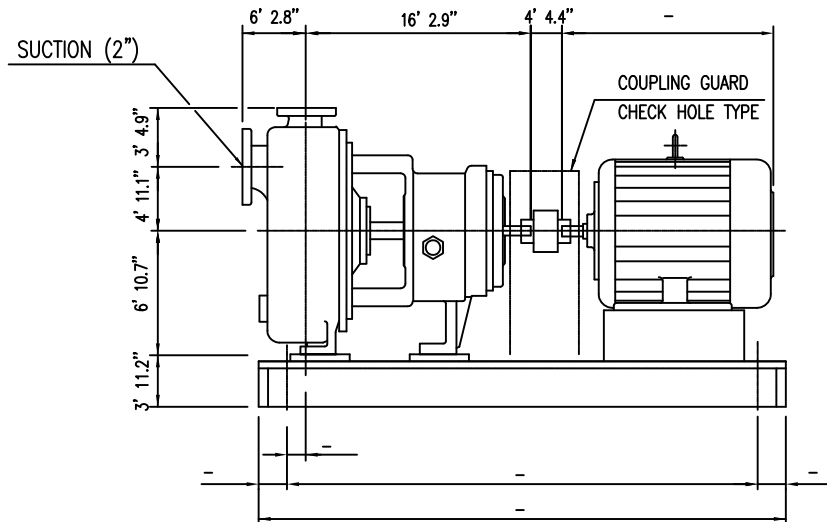
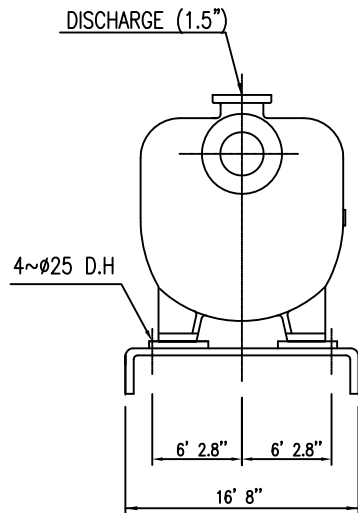


MODEL : DSP 2X1.5-10



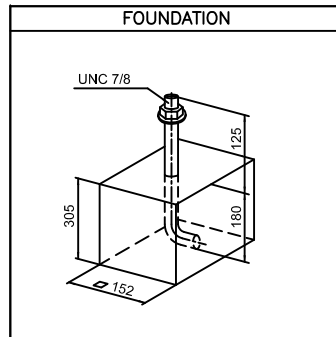
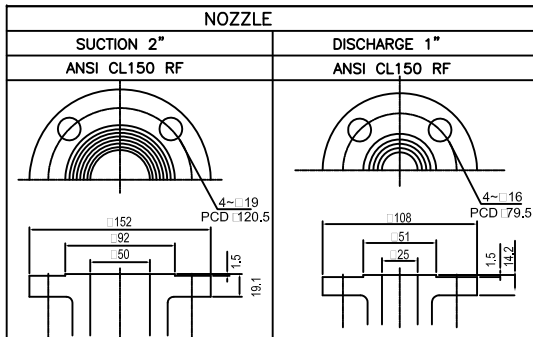
WEIGHTS(lbs)	
PUMP	262
BASEPLATE	441
MOTOR	-
TOTAL	-

SPECIFICATION	
CAPACITY	- gpm
HEAD	- ft

COUPLING	
MAKE	-
TYPE	-

MOTOR	
OUTPUT	- HP
POLES	- P
VOLTAGE	- V
FREQUENCY	- Hz
MAKER	-

NOZZLE LOADINGS				
Z ↑ Y → X			Suction	Discharge
	Kg	Fx	49	26
Kg	Fy	88	100	
Kg	Fz	94	35	
Kg-m	Mx	64	33	
Kg-m	My	43	27	
Kg-m	Mz	11	16	



M-J,HA	I-G,HONG	S-H,MIN	S-H,MIN	FOR PROPOSAL	2010.06.30	0
DWN	DSND	CHKD	APPD	DESCRIPTION	DATE	REV.
SCALE				PROJECT & CUSTOMER	1 SET	
JOB NO.				TITLE	DWG NO.	
REF NO.				OUTLINE DRAWING	DSP-21510000	