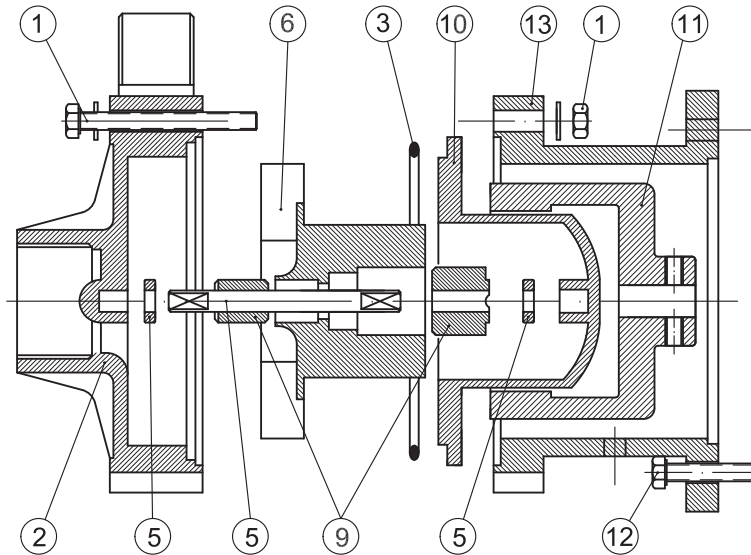


FEATURES/CARATTERISTICHE

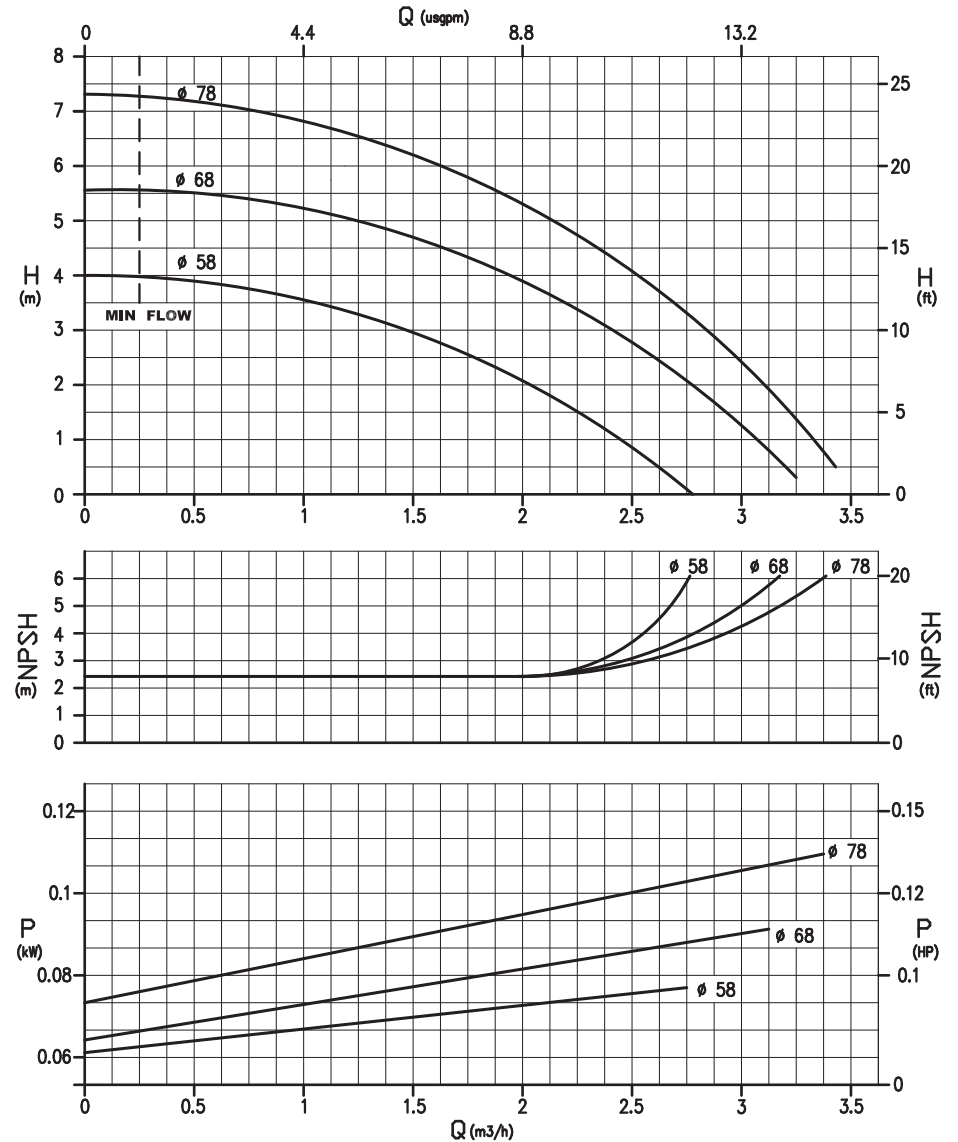
Materials available/Materiali disponibili: PP-PVDF
 Max flow/Portata massima: 3,5 m³/h
 Max head/Prevalenza massima: 7 m
 Max temperature/Temperatura massima: PP 60°C/PVDF 90°C
 Max viscosity/Viscosità massima: 200 cSt
 Pressure rating/Pressione nominale massima: NP/PN 4 @ 20°C
 Pump weight/Peso pompa: PP: 0.95 Kg
 PVDF: 1.05 Kg

SECTION AND PARTS LIST/SEZIONE E LISTA PARTI

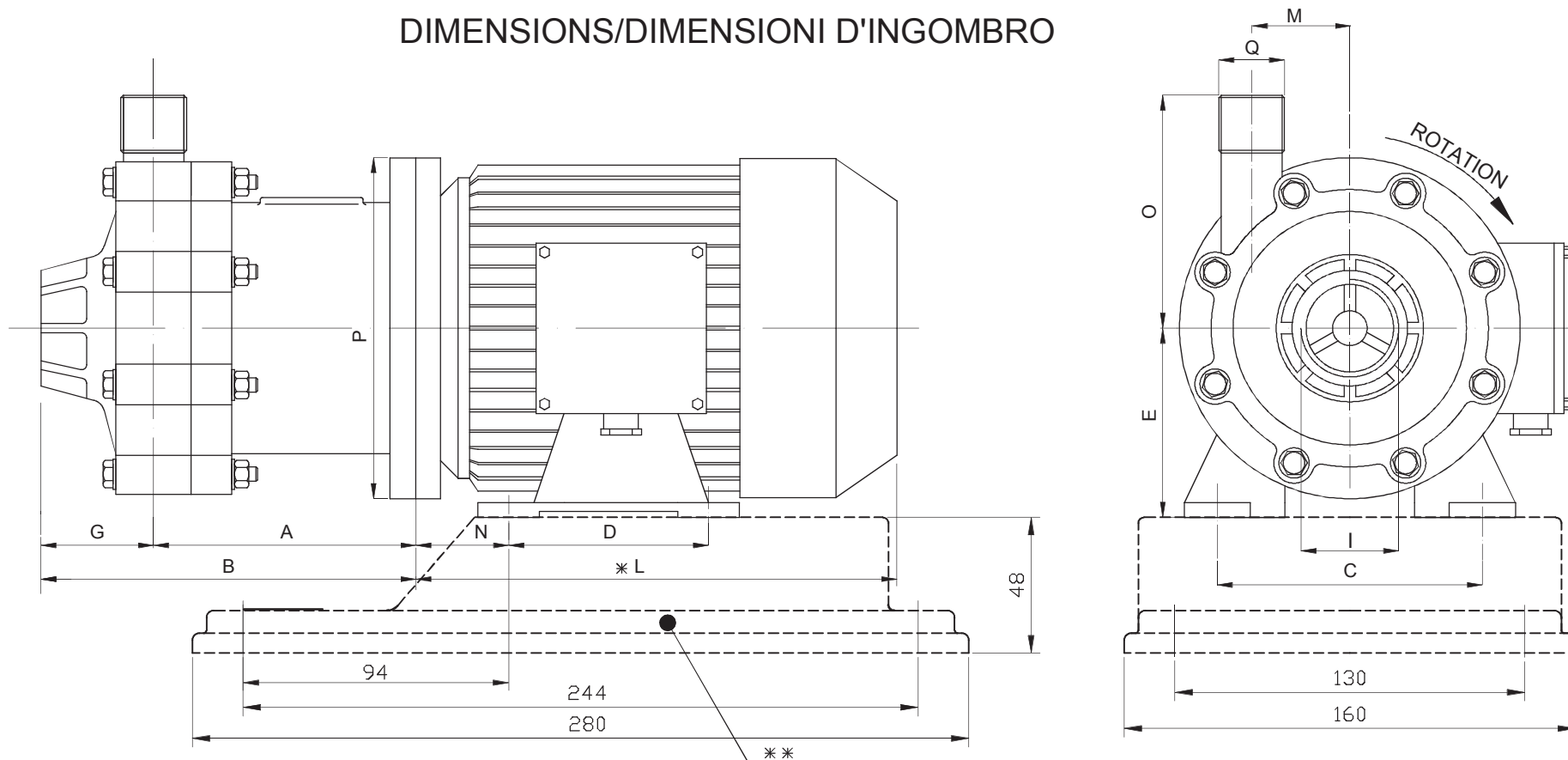


| POS. | 1 | 2 | 3 | 5 | 6 | 9 | 10 | 11 | 12 | 13 |
|-------------|------------|-----------|------------|--------------------------------|--------------------------|---------|-------------|-------------|------------|---------|
| PART DESCR. | SET SCREWS | PUMP HEAD | O - RING | SHAFT + RING | IMPELLER-INTERNAL MAGNET | BEARING | REAR CASING | EXT. MAGNET | SET SCREWS | BRACKET |
| MAT. | AISI304 | PP PVDF | EPDM VITON | Al ₂ O ₃ | PP PVDF | PTFEC | PP PVDF | C40 NeFeb | AISI304 | PP |

CURVES/CURVE 50HZ-2900 RPM



DIMENSIONS/DIMENSIONI D'INGOMBRO



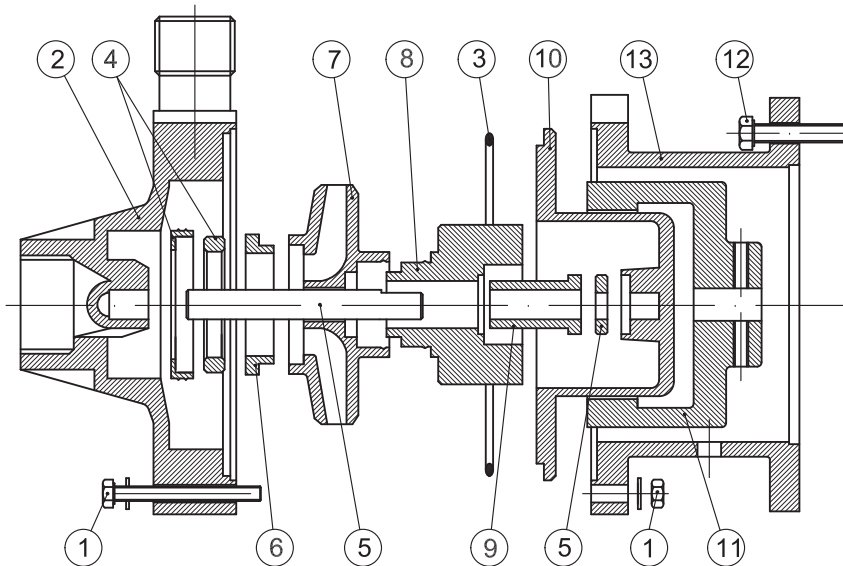
| PUMP TYPE | MOTOR FLANGE B3-B5 | POT. Kw | DIMENSIONS - mm - | | | | | | | | | | | | |
|-----------|--------------------|---------|-------------------|-----|----|----|----|----|-----------|-----|----|----|----|-----|-----------|
| | | | A | B | C | D | E | G | I | *L | M | N | O | P | Q |
| HTM 4 | G 56 B | 0.12 | 76 | 115 | 90 | 71 | 56 | 39 | 1" FEMALE | 176 | 34 | 36 | 80 | 120 | 1/2" MALE |

* Different according to the manufacturer / Diverso a seconda del fornitore
 ** OPTIONAL UPON REQUEST/SU RICHIESTA: Baseplate/Piede d'appoggio

FEATURES/CARATTERISTICHE

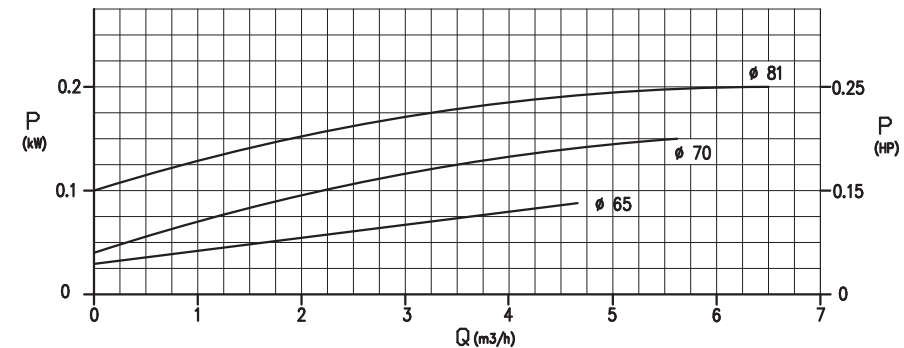
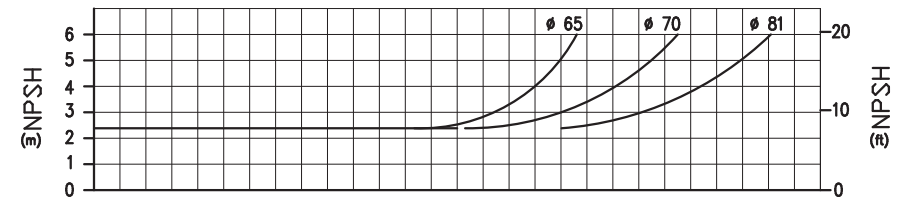
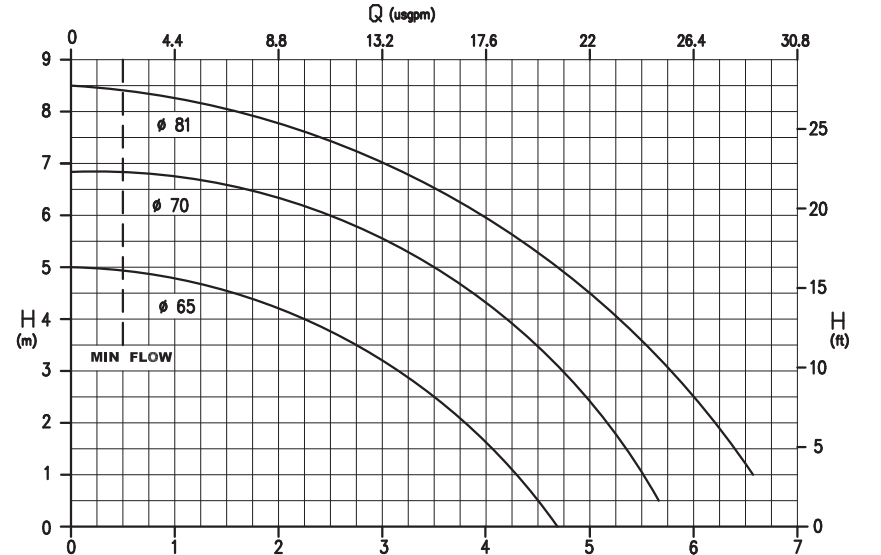
| | |
|---|--------------------------|
| Materials available/Materiali disponibili: | PP-PVDF |
| Max flow/Portata massima: | 6,5 m ³ /h |
| Max head/Prevalenza massima: | 8.5 m |
| Max temperature/Temperatura massima: | PP 60°C/PVDF 90°C |
| Max viscosity/Viscosità massima: | 200 cSt |
| Pressure rating/Pressione nominale massima: | NP/PN 4 @ 20°C |
| Pump weight/Peso pompa: | PP:1.6 Kg PVDF:1.8 Kg |

SECTION AND PARTS LIST/SEZIONE E LISTA PARTI



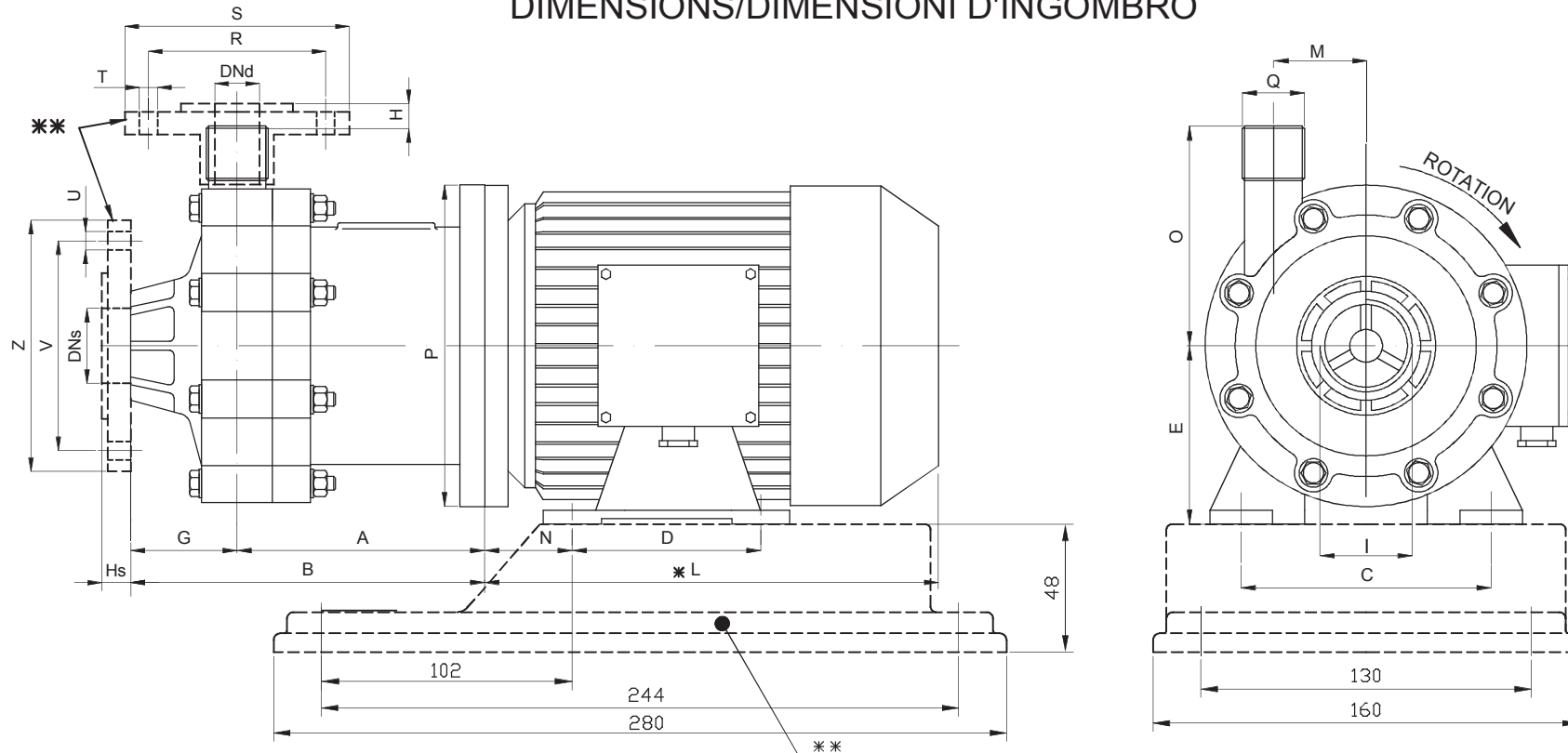
| POS. | 1 | 2 | 3 | 4 | 5 | 6 | 7 | 8 | 9 | 10 | 11 | 12 | 13 |
|-------------|------------|--------------|------------|---|---------------------------------|----------|-------------|---------------|-------------|-------------|------------|---------|----|
| PART DESCR. | SET SCREWS | FRONT CASING | O-RING | CASING THRUST BUSH | SHAFT + IMPELLER THRUST BEARING | IMPELLER | INT. MAGNET | BEARING | REAR CASING | EXT. MAGNET | SET SCREWS | BRACKET | |
| MATERIALS | ALSI304 | PP PVDF | EPDM VITON | Al ₂ O ₃ EPDM VITON | Al ₂ O ₃ | PTFEC | PP PVDF | PP PVDF NeFeb | PTFEC | PP PVDF | Fe NeFeb | ALSI304 | PP |

CURVES/CURVE 50HZ-2900 RPM



All data stated are an indication and are liable to change without notice / Tutti i dati sono indicativi e possono variare senza preavviso

DIMENSIONS/DIMENSIONI D'INGOMBRO



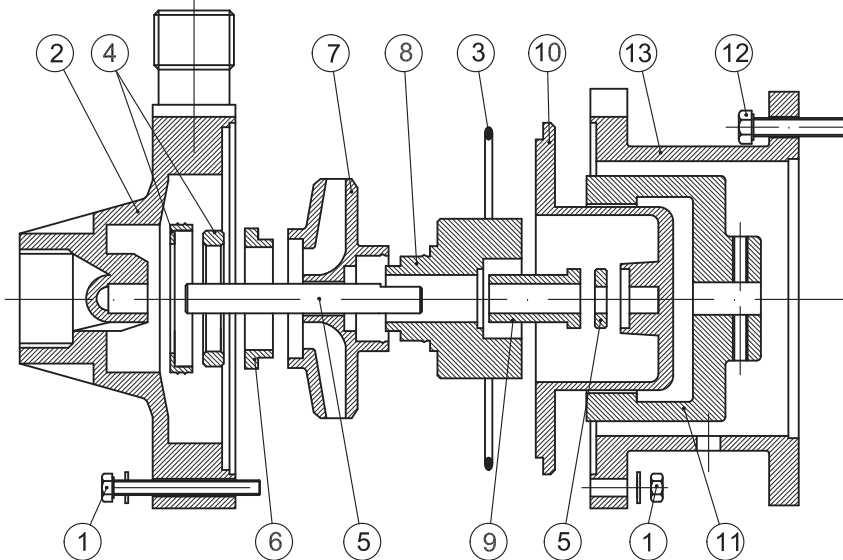
| PUMP TYPE | MOTOR FLANGE B3-B5 | POT. Kw | DIMENSIONS - mm - | | | | | | | | | | | | | | | FLANGES DIN PN 10-DIMENSIONS - mm - | | | | | | | |
|-----------|--------------------|---------|-------------------|-----|-----|----|----|----|---|----|----|-----|----|----|----|-----|------|-------------------------------------|-----|----|----|----|-----|-----|-----|
| | | | A | B | C | D | E | G | H | Hs | I | *L | M | N | O | P | Q | R | S | T | U | V | Z | DNs | DNd |
| HTM 6 | G 63 B | 0.25 | 85 | 143 | 100 | 80 | 63 | 59 | 6 | 22 | 1" | 191 | 45 | 40 | 98 | 140 | 3/4" | 75 | 105 | 14 | 14 | 85 | 115 | 25 | 20 |

* Different according to the manufacturer / Diverso a seconda del fornitore
 ** OPTIONAL-UPON REQUEST/SU RICHIESTA: Baseplate/Piede d'appoggio - Flanges/Flange

FEATURES/CARATTERISTICHE

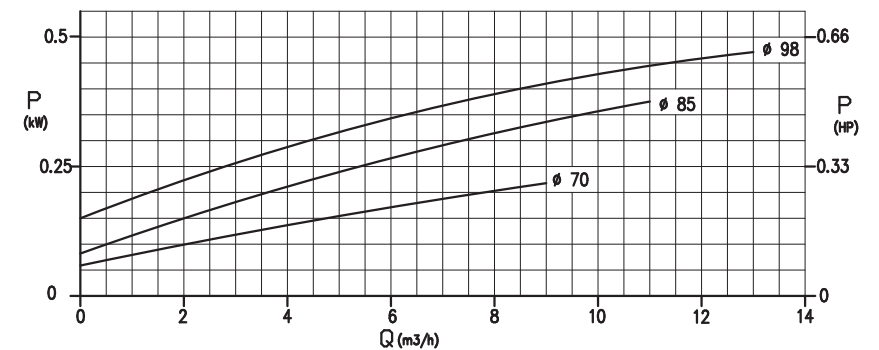
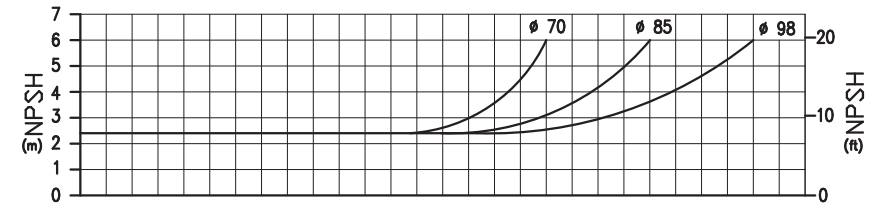
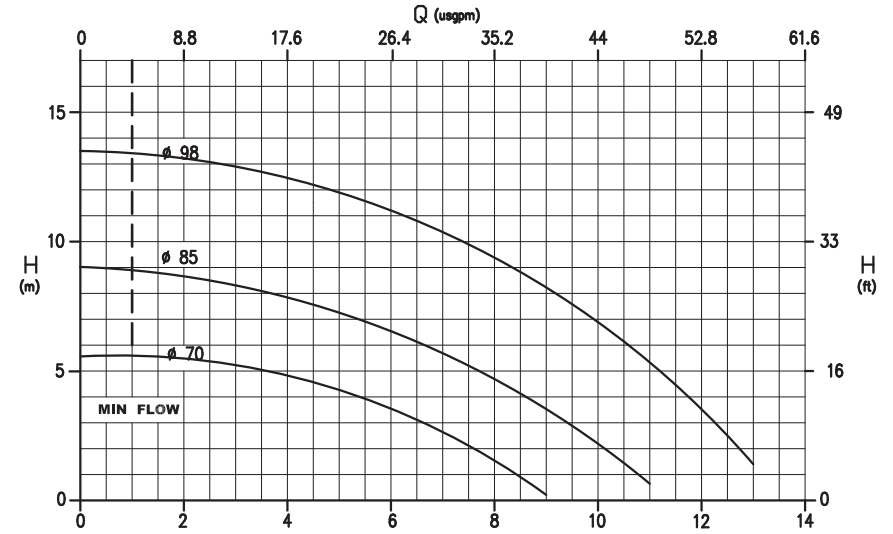
| | |
|---|----------------------------|
| Materials available/Materiali disponibili: | PP-PVDF |
| Max flow/Portata massima: | 13 m ³ /h |
| Max head/Prevalenza massima: | 14 m |
| Max temperature/Temperatura massima: | PP 60°C/PVDF 90°C |
| Max viscosity/Viscosità massima: | 200 cSt |
| Pressure rating/Pressione nominale massima: | NP/PN 4 @ 20°C |
| Pump weight/Peso pompa: | PP: 2.6 Kg PVDF: 2.9 Kg |

SECTION AND PARTS LIST/SEZIONE E LISTA PARTI

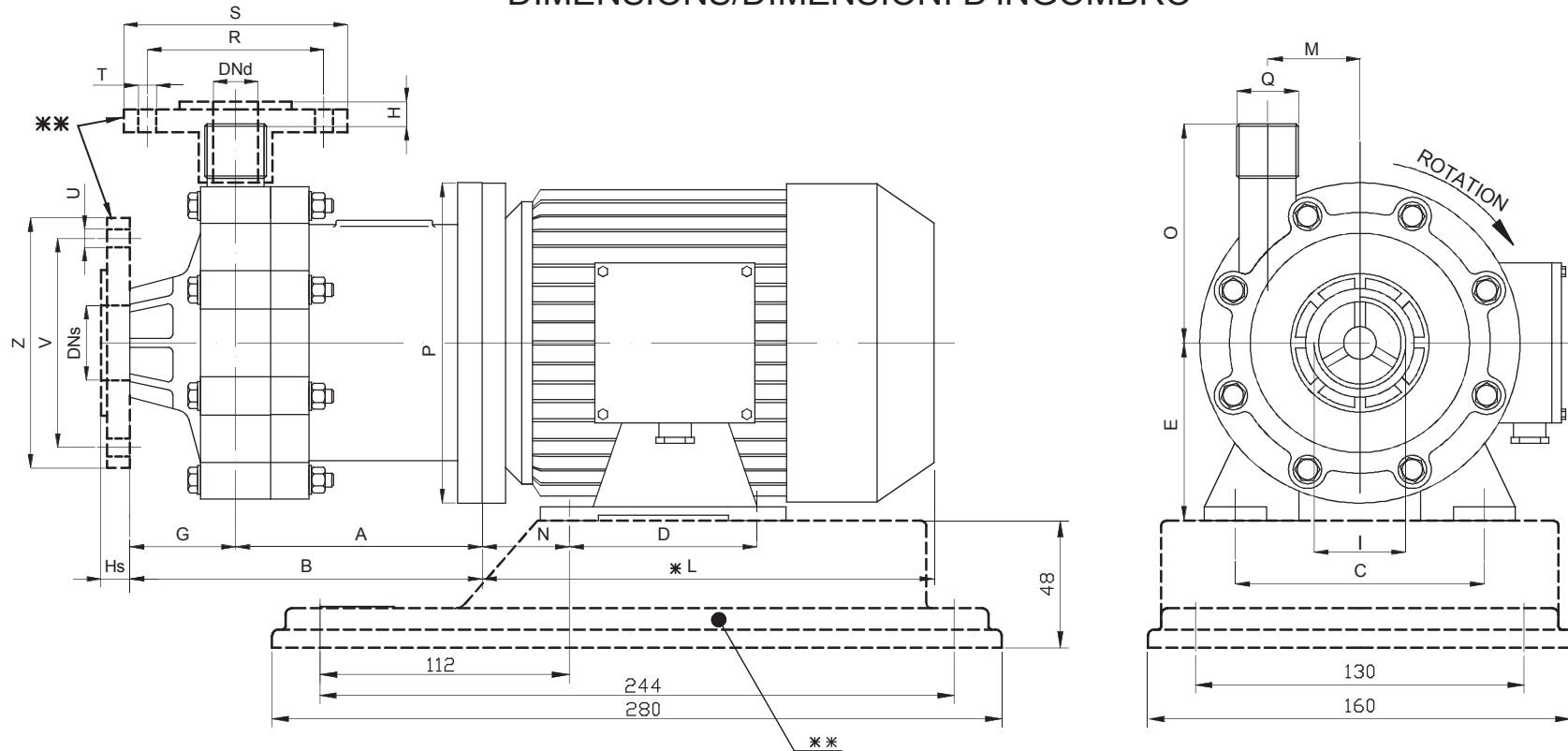


| POS. | 1 | 2 | 3 | 4 | 5 | 6 | 7 | 8 | 9 | 10 | 11 | 12 | 13 |
|-------------|------------|--------------|------------|---|--------------------------------|-------------------------|----------|---------------|---------|-------------|-------------|------------|---------|
| PART DESCR. | SET SCREWS | FRONT CASING | O-RING | CASING THRUST BUSH | SHAFT + RING | IMPELLER THRUST BEARING | IMPELLER | INT. MAGNET | BEARING | REAR CASING | EXT. MAGNET | SET SCREWS | BRACKET |
| MATERIALS | AlSi304 | PP PVDF | EPDM VITON | Al ₂ O ₃ EPDM VITON | Al ₂ O ₃ | PTFEC | PP PVDF | PP PVDF NeFeb | PTFEC | PP PVDF | Fe NeFeb | AlSi304 | PP |

CURVES/CURVE 50HZ-2900 RPM



DIMENSIONS/DIMENSIONI D'INGOMBRO



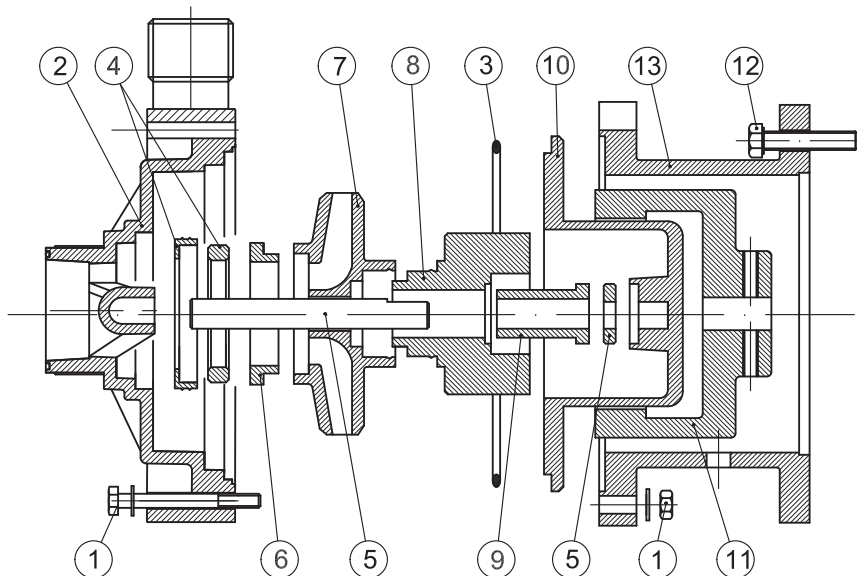
| PUMP TYPE | MOTOR FLANGE B3 - B5 | POT. Kw | DIMENSIONS - mm - | | | | | | | | | | | | | | | FLANGES DIN PN 10-DIMENSIONS - mm - | | | | | | | |
|-----------|----------------------|---------|-------------------|-----|-----|----|----|----|----|---|--------------|-----|----|----|-----|-----|----|-------------------------------------|-----|----|----|-----|-----|-----|-----|
| | | | A | B | C | D | E | Hs | G | H | I | *L | M | N | O | P | Q | R | S | T | U | V | Z | DNs | DNd |
| HTM 10 | G 71 2B | 0.55 | 112 | 180 | 112 | 90 | 71 | 20 | 70 | 9 | 1"1/2 FEMALE | 215 | 45 | 45 | 100 | 160 | 1" | 85 | 115 | 14 | 18 | 110 | 150 | 40 | 25 |

* Different according to the manufacturer / Diverso a seconda del fornitore
 ** OPTIONAL-UPON REQUEST/SU RICHIESTA: Baseplate/Piede d'appoggio - Flanges/Flange

FEATURES/CARATTERISTICHE

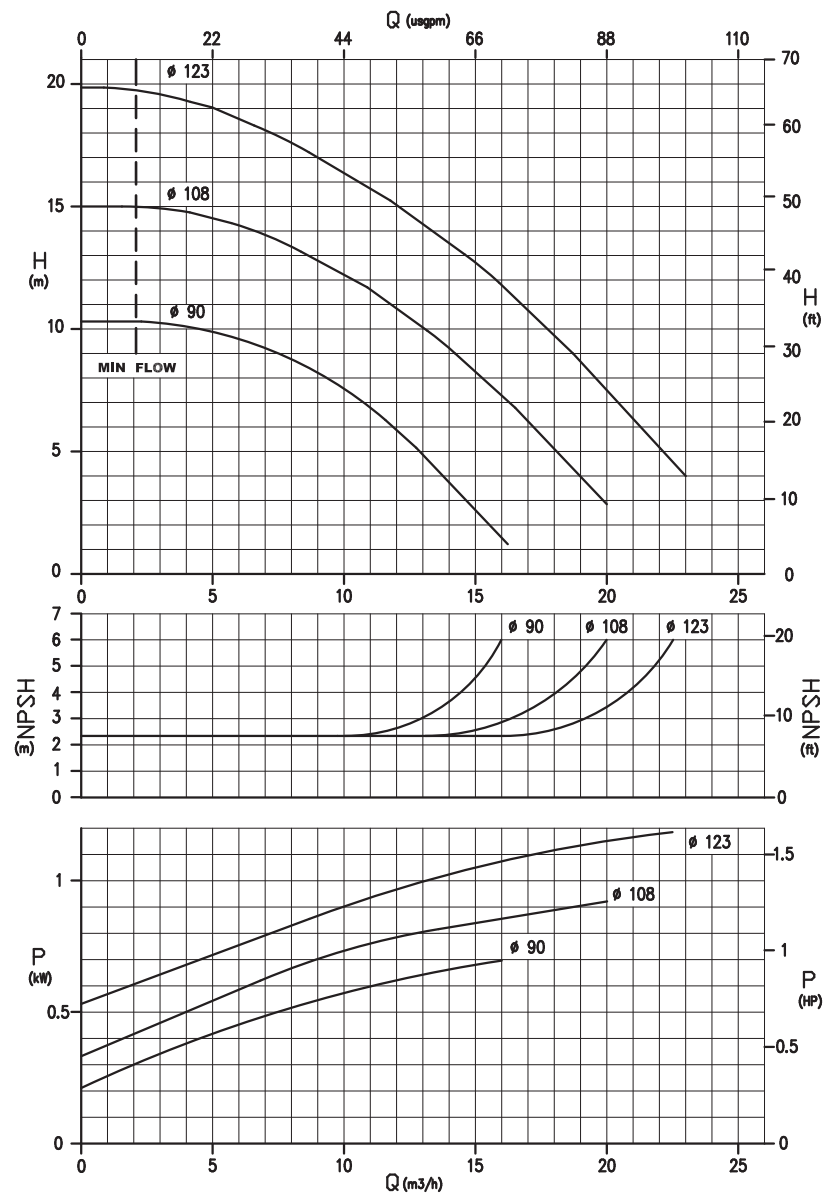
| | |
|---|----------------------------|
| Materials available/Materiali disponibili: | PP-PVDF |
| Max flow/Portata massima: | 23 m ³ /h |
| Max head/Prevalenza massima: | 20 m |
| Max temperature/Temperatura massima: | PP 60°C/PVDF 90°C |
| Max viscosity/Viscosità massima: | 200 cSt |
| Pressure rating/Pressione nominale massima: | NP/PN 4 @ 20°C |
| Pump weight/Peso pompa: | PP: 5.8 Kg PVDF: 6.6 Kg |

SECTION AND PARTS LIST/SEZIONE E LISTA PARTI



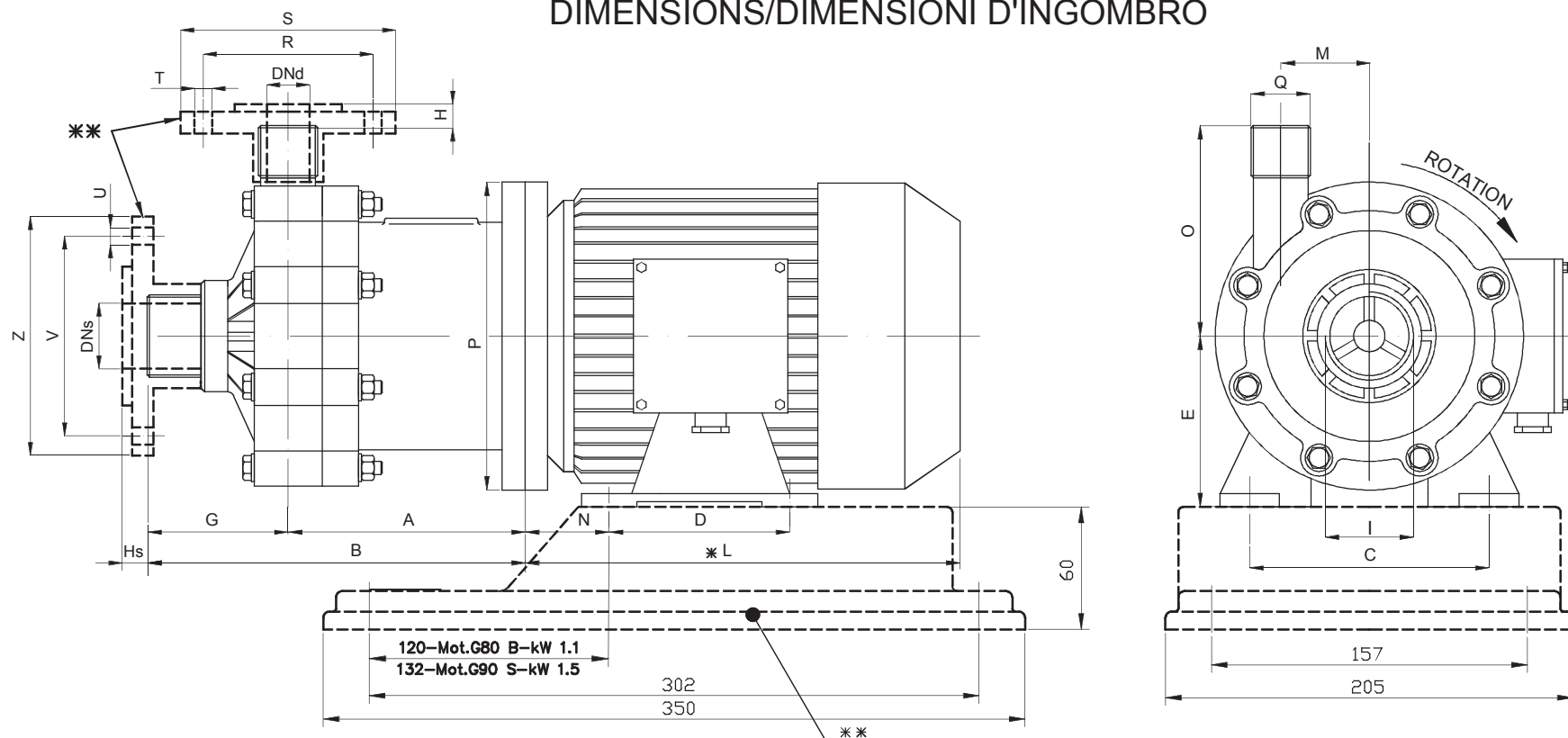
| POS. | 1 | 2 | 3 | 4 | 5 | 6 | 7 | 8 | 9 | 10 | 11 | 12 | 13 |
|-------------|------------|--------------|------------|---|--------------------------------|-------------------------|----------|---------------|---------|-------------|-------------|------------|---------|
| PART DESCR. | SET SCREWS | FRONT CASING | O-RING | CASING THRUST BUSH | SHAFT RING | IMPELLER THRUST BEARING | IMPELLER | INT. MAGNET | BEARING | REAR CASING | EXT. MAGNET | SET SCREWS | BRACKET |
| MATERIALS | AISI304 | PP PVDF | EPDM VITON | Al ₂ O ₃ EPDM VITON | Al ₂ O ₃ | PTFEC | PP PVDF | PP PVDF NeFeb | PTFEC | PP PVDF | Fe NeFeb | AISI304 | PP |

CURVES/CURVE 50HZ-2900 RPM



All data stated are an indication and are liable to change without notice / Tutti i dati sono indicativi e possono variare senza preavviso

DIMENSIONS/DIMENSIONI D'INGOMBRO



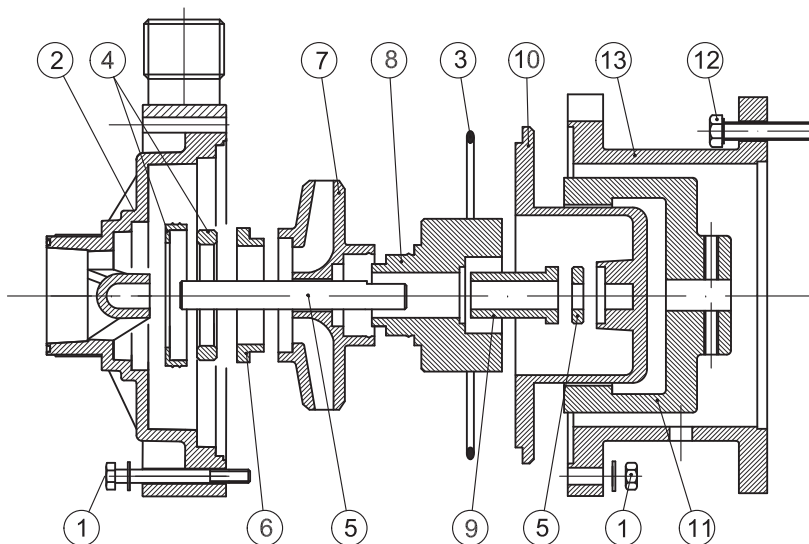
| PUMP TYPE | MOTOR FLANGE B3-B5 | POT. Kw | DIMENSIONS - mm - | | | | | | | | | | | | | | FLANGES DIN PN 10-DIMENSIONS - mm - | | | | | | | | |
|-----------|--------------------|---------|-------------------|-----|-----|-----|----|----|----|----|---------|-----|----|----|-----|-----|-------------------------------------|-----|-----|----|----|-----|-----|-----|-----|
| | | | A | B | C | D | E | Hs | G | H | I | *L | M | N | O | P | Q | R | S | T | U | V | Z | DNs | DNd |
| HTM 15 | G 80 B | 1.1 | 151 | 231 | 125 | 100 | 80 | 14 | 80 | 13 | 2" MALE | 232 | 66 | 50 | 135 | 200 | 1 1/2" MALE | 110 | 153 | 18 | 18 | 125 | 168 | 50 | 40 |
| HTM 15 | G 90 S | 1.5 | 161 | 241 | 140 | 100 | 90 | 14 | 80 | 13 | 2" MALE | 256 | 66 | 56 | 135 | 200 | 1 1/2" MALE | 110 | 153 | 18 | 18 | 125 | 168 | 50 | 40 |

* Different according to the manufacturer / Diverso a seconda del fornitore
 ** OPTIONAL-UPON REQUEST/SU RICHIESTA: Baseplate/Piede d'appoggio - Flanges/Flange

FEATURES/CARATTERISTICHE

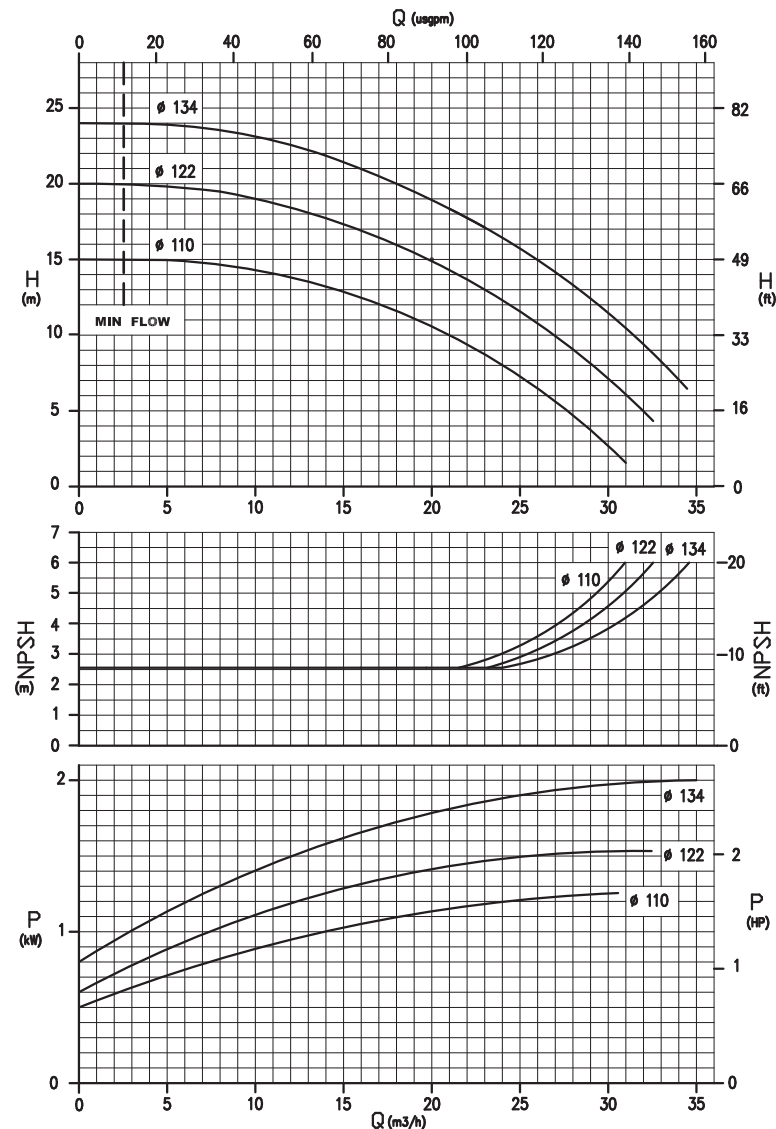
| | |
|---|----------------------------|
| Materials available/Materiali disponibili: | PP-PVDF |
| Max flow/Portata massima: | 35 m ³ /h |
| Max head/Prevalenza massima: | 24 m |
| Max temperature/Temperatura massima: | PP 60°C/PVDF 90°C |
| Max viscosity/Viscosità massima: | 200 cSt |
| Pressure rating/Pressione nominale massima: | NP/PN 4 @ 20°C |
| Pump weight/Peso pompa: | PP: 8.0 Kg PVDF: 8.9 Kg |

SECTION AND PARTS LIST/SEZIONE E LISTA PARTI



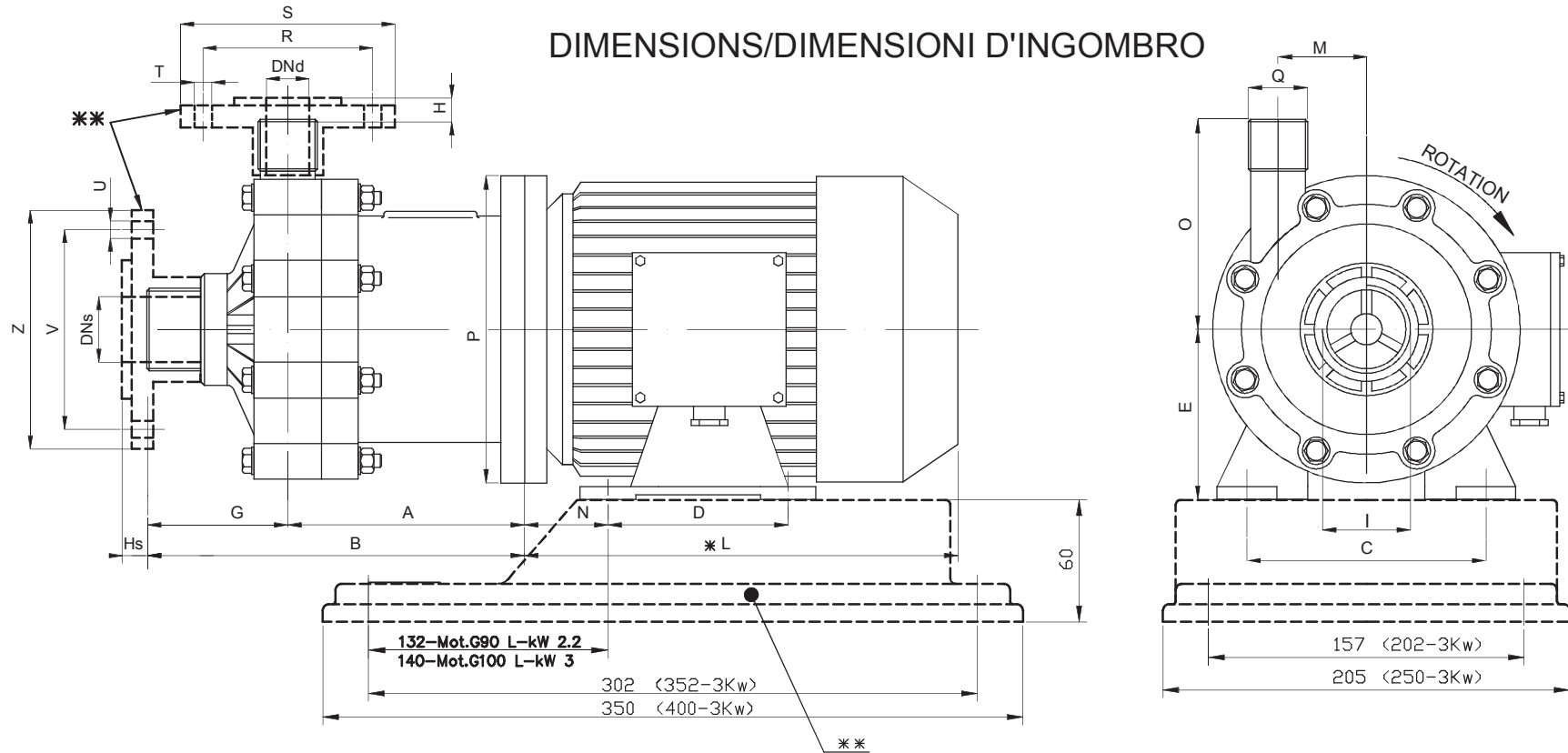
| POS. | 1 | 2 | 3 | 4 | 5 | 6 | 7 | 8 | 9 | 10 | 11 | 12 | 13 |
|-------------|------------|--------------|------------|--------------------|------------|-------------------------|----------|---------------|---------|-------------|-------------|------------|---------|
| PART DESCR. | SET SCREWS | FRONT CASING | O-RING | CASING THRUST BUSH | SHAFT+RING | IMPELLER THRUST BEARING | IMPELLER | INT. MAGNET | BEARING | REAR CASING | EXT. MAGNET | SET SCREWS | BRACKET |
| MATERIALS | AlSi304 | PP PVDF | EPDM VITON | Al2O3 EPDM VITON | Al2O3 | PTFEC | PP PVDF | PP PVDF NeFeb | PTFEC | PP PVDF | Fe NeFeb | AlSi304 | PP |

CURVES/CURVE 50HZ-2900 RPM



All data stated are an indication and are liable to change without notice / Tutti i dati sono indicativi e possono variare senza preavviso

DIMENSIONS/DIMENSIONI D'INGOMBRO



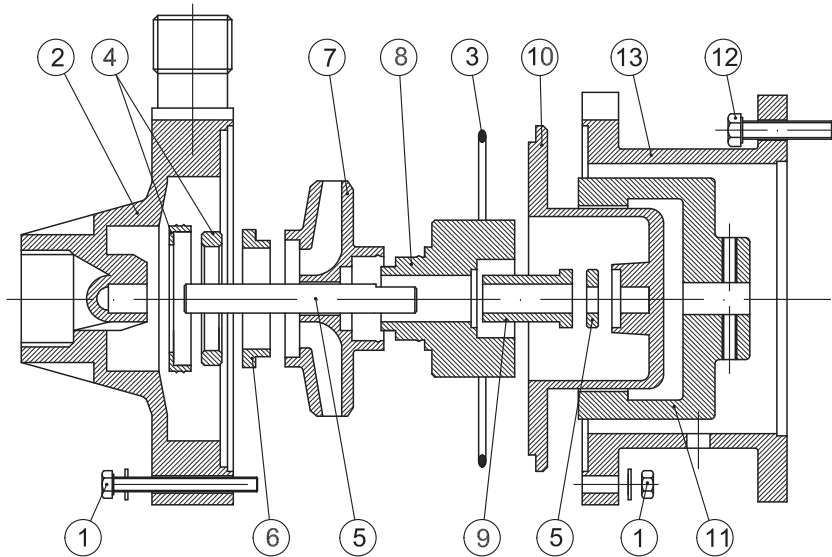
| PUMP TYPE | MOTOR FLANGE B3-B5 | POT. Kw | DIMENSIONS - mm - | | | | | | | | | | | | | | FLANGES DIN PN 10-DIMENSIONS - mm - | | | | | | | | |
|-----------|--------------------|---------|-------------------|-----|-----|-----|-----|----|----|----|-------------|-----|----|----|-----|-----|-------------------------------------|-----|-----|----|----|-----|-----|-----|-----|
| | | | A | B | C | D | E | Hs | G | H | I | *L | M | N | O | P | Q | R | S | T | U | V | Z | DNs | DNd |
| HTM 31 | G 90 L | 2.2 | 183 | 274 | 140 | 125 | 90 | 14 | 91 | 13 | 2 1/2" MALE | 280 | 66 | 56 | 140 | 200 | 2" | 125 | 168 | 18 | 18 | 145 | 188 | 65 | 50 |
| HTM 31 | G 100 L | 3 | 203 | 294 | 160 | 140 | 100 | 14 | 91 | 13 | 2 1/2" MALE | 315 | 66 | 63 | 140 | 250 | 2" | 125 | 168 | 18 | 18 | 145 | 188 | 65 | 50 |

* Different according to the manufacturer / Diverso a seconda del fornitore
 ** OPTIONAL-UPON REQUEST/SU RICHIESTA: Baseplate/Piede d'appoggio - Flanges/Flange

FEATURES/CARATTERISTICHE

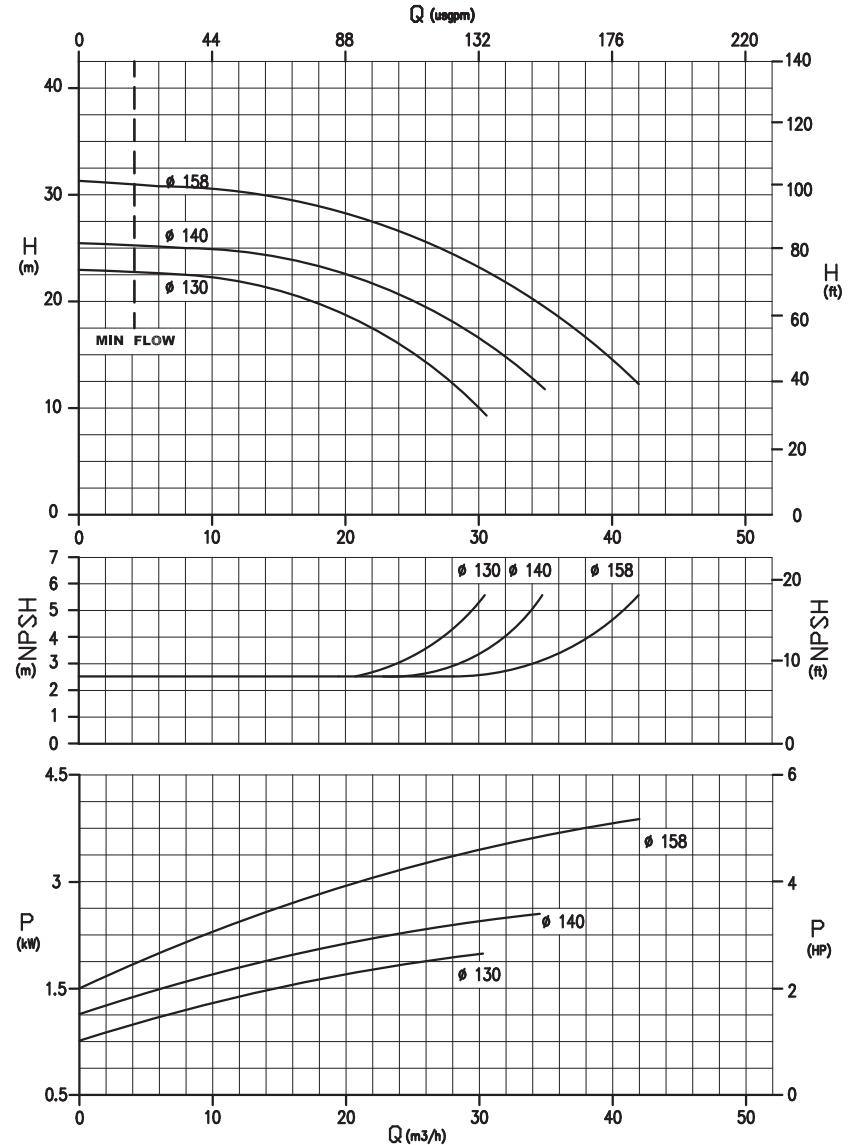
| | |
|---|------------------------------|
| Materials available/Materiali disponibili: | PP-PVDF |
| Max flow/Portata massima: | 42 m ³ /h |
| Max head/Prevalenza massima: | 31 m |
| Max temperature/Temperatura massima: | PP 60°C/PVDF 90°C |
| Max viscosity/Viscosità massima: | 200 cSt |
| Pressure rating/Pressione nominale massima: | NP/PN 4 @ 20°C |
| Pump weight/Peso pompa: | PP: 19.7 Kg PVDF: 21.3 Kg |

SECTION AND PARTS LIST/SEZIONE E LISTA PARTI



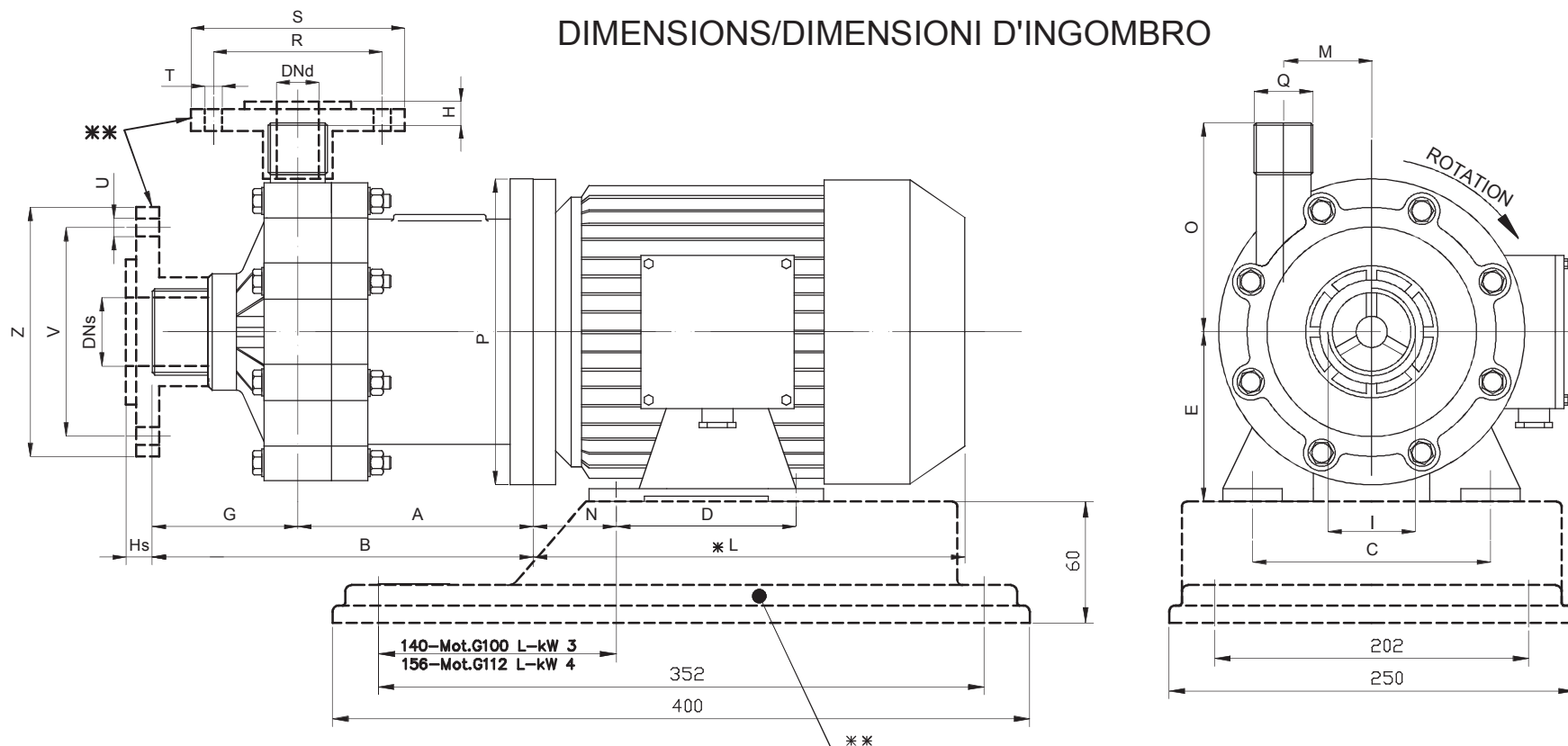
| POS. | 1 | 2 | 3 | 4 | 5 | 6 | 7 | 8 | 9 | 10 | 11 | 12 | 13 |
|-------------|------------|--------------|------------|--------------------|-------|-------------------------|----------|---------------|---------|-------------|-------------|------------|---------|
| PART DESCR. | SET SCREWS | FRONT CASING | O-RING | CASING THRUST BUSH | SHAFT | IMPELLER THRUST BEARING | IMPELLER | INT. MAGNET | BEARING | REAR CASING | EXT. MAGNET | SET SCREWS | BRACKET |
| MATERIALS | AISI304 | PP PVDF | EPDM VITON | AI203 EPDM VITON | AI203 | PTFEC | PP PVDF | PP PVDF NeFeb | PTFEC | PP PVDF | Fe NeFeb | AISI304 | PP |

CURVES/CURVE 50HZ-2900 RPM



All data stated are an indication and are liable to change without notice / I dati sono meramente indicativi e possono variare senza preavviso

DIMENSIONS/DIMENSIONI D'INGOMBRO



| PUMP TYPE | MOTOR FLANGE B3-B5 | POT. Kw | DIMENSIONS - mm - | | | | | | | | | | | | | | FLANGES DIN PN 10-DIMENSIONS - mm - | | | | | | | | |
|-----------|--------------------|---------|-------------------|-----|-----|-----|-----|----|----|----|---------|-----|------|----|-----|-----|-------------------------------------|-----|-----|----|----|-----|-----|-----|-----|
| | | | A | B | C | D | E | G | H | Hs | I | *L | M | N | O | P | Q | R | S | T | U | V | Z | DNs | DNd |
| HTM 40 | G 100 L | 3 | 228 | 320 | 160 | 140 | 100 | 92 | 10 | 10 | 3" MALE | 315 | 82.5 | 63 | 170 | 250 | 2 1/2" MALE | 145 | 188 | 18 | 18 | 160 | 203 | 80 | 65 |
| HTM 40 | G 112 M | 4 | 228 | 320 | 190 | 140 | 112 | 92 | 10 | 10 | 3" MALE | 325 | 82.5 | 70 | 170 | 250 | 2 1/2" MALE | 145 | 188 | 18 | 18 | 160 | 203 | 80 | 65 |

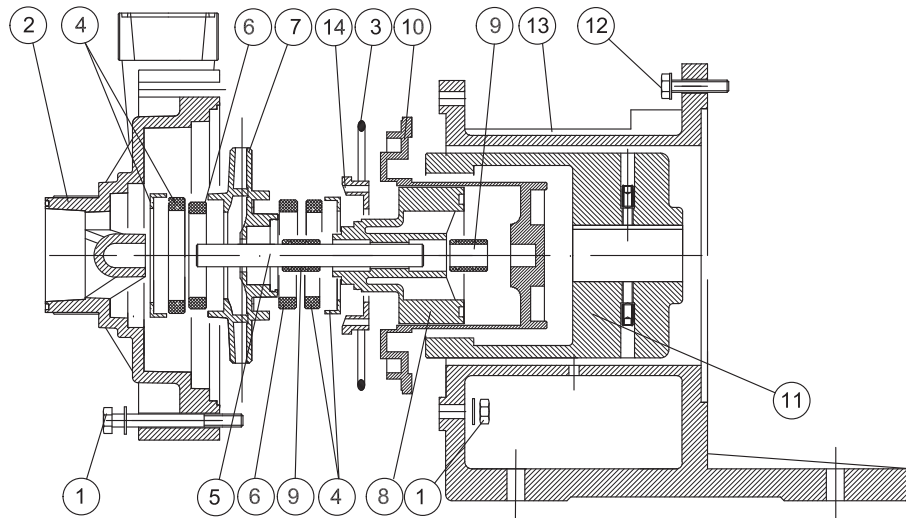
* Different according to the manufacturer / Diverso a seconda del fornitore

** OPTIONAL-UPON REQUEST/SU RICHIESTA: Baseplate/Piede d'appoggio - Flanges/Flange

FEATURES/CARATTERISTICHE

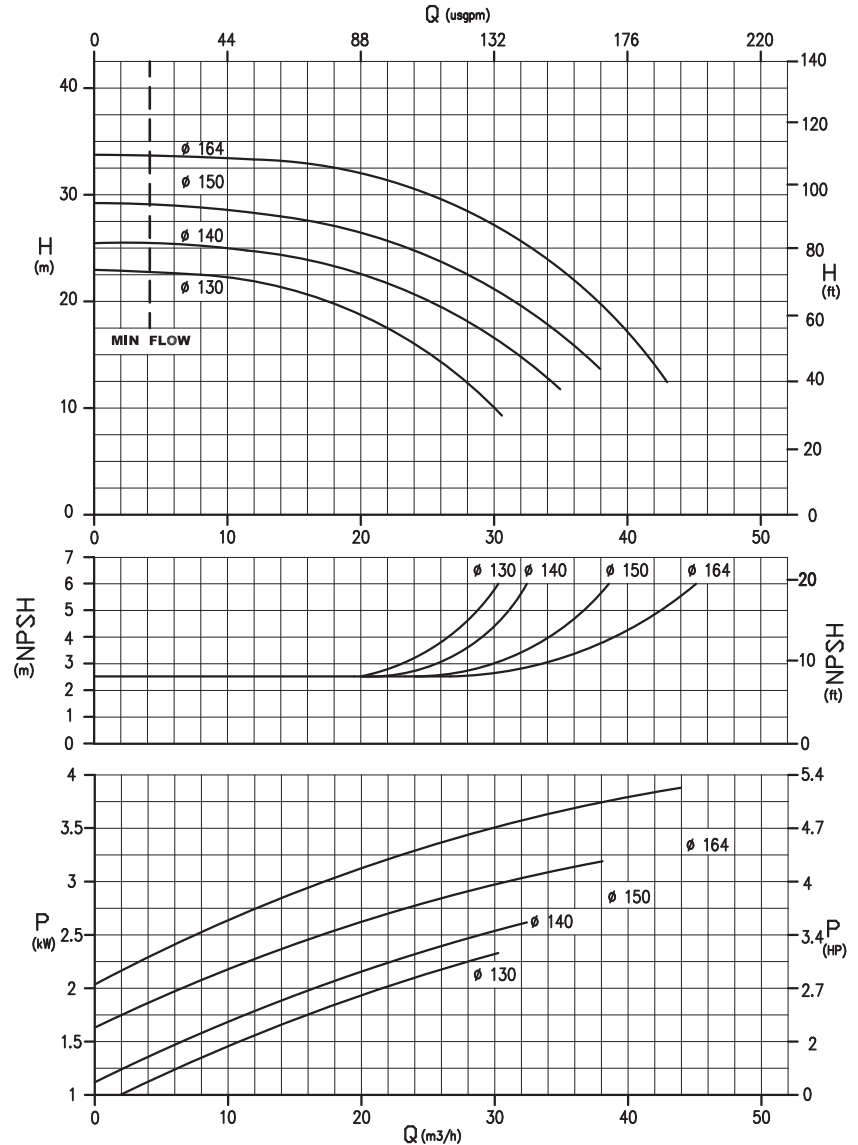
| | |
|---|----------------------------|
| Materials available/Materiali disponibili: | PP-PVDF |
| Max flow/Portata massima: | 43 m ³ /h |
| Max head/Prevalenza massima: | 33 m |
| Max temperature/Temperatura massima: | PP 60°C/PVDF 90°C |
| Max viscosity/Viscosità massima: | 200 cSt |
| Pressure rating/Pressione nominale massima: | NP/PN 4 @ 20°C |
| Pump weight/Peso pompa: | PP: 32.2 Kg PVDF: 35 Kg |

SECTION AND PARTS LIST/SEZIONE E LISTA PARTI



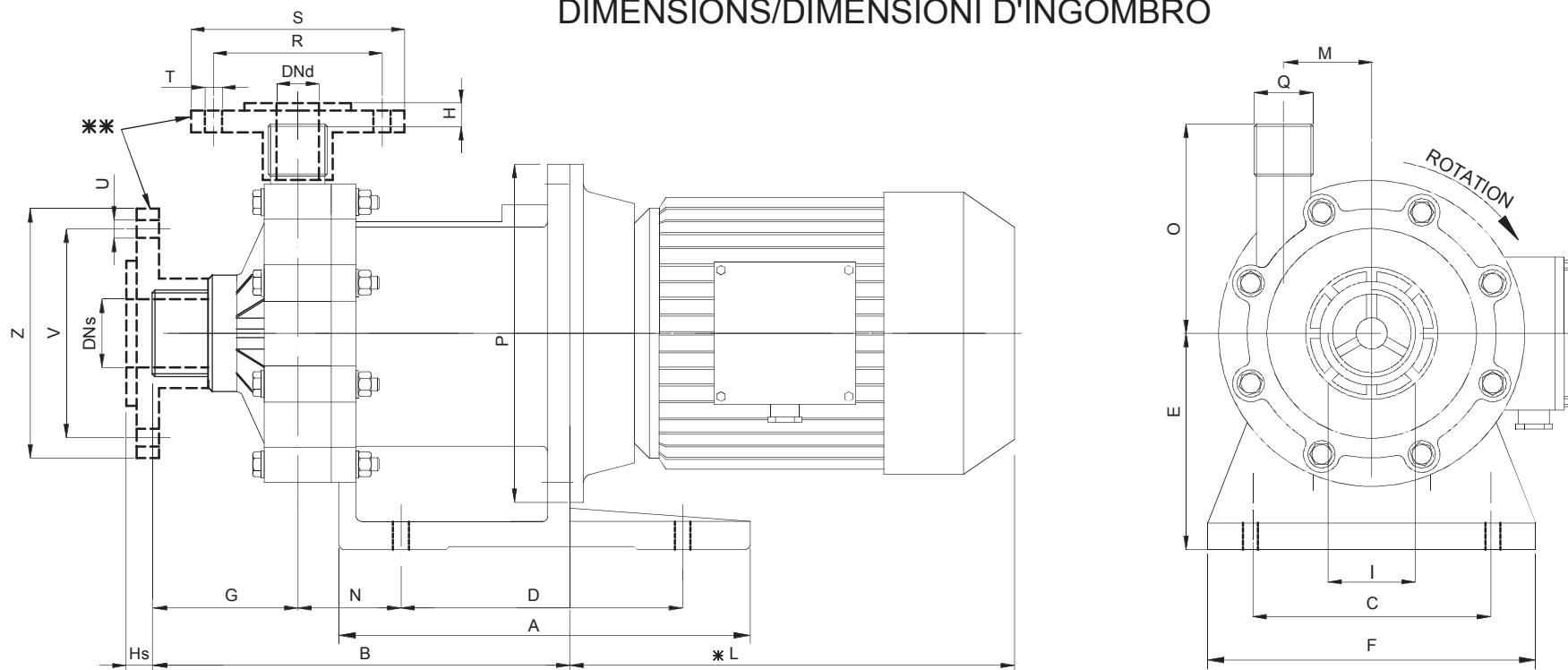
| POS. | 1 | 2 | 3 | 4 | 5 | 6 | 7 | 8 | 9 | 10 | 11 | 12 | 13 | 14 |
|-------------|------------|-----------|------------|--------------------|-------|-------------------------|----------|---------------|---------|-------------|-------------|------------|------------|--------------|
| PART DESCR. | SET SCREWS | PUMP HEAD | O-RING | CASING THRUST BUSH | SHAFT | IMPELLER THRUST BEARING | IMPELLER | INT. MAGNET | BEARING | REAR CASING | EXT. MAGNET | SET SCREWS | BRACKET | REAR SUPPORT |
| MATERIALS | ALSI304 | PP PVDF | EPDM VITON | AL203 EPDM VITON | AL203 | PTFEC | PP PVDF | PP PVDF NeFeb | PTFEC | PP PVDF | C40 NeFeb | ALSI304 | ALLUMINIUM | PP PVDF |

CURVES/CURVE 50HZ-2900 RPM



All data stated are an indication and are liable to change without notice / Tutti i dati sono indicativi e possono variare senza preavviso

DIMENSIONS/DIMENSIONI D'INGOMBRO



| PUMP TYPE | MOTOR FLANGE B5 | POT. Kw | DIMENSIONS - mm - | | | | | | | | | | | | | | | FLANGES DIN PN 10-DIMENSIONS - mm - | | | | | | | | |
|-----------|-----------------|---------|-------------------|-----|-----|-----|-----|-----|----|----|----|---------|-----|------|----|-----|-----|-------------------------------------|-----|-----|----|----|-----|-----|-----|-----|
| | | | A | B | C | D | E | F | G | H | Hs | I | *L | M | N | O | P | Q | R | S | T | U | V | Z | DNs | DNd |
| HTM 50 | G 132S2A | 5.5 | | | | | | | | | | | | | | | | | | | | | | | | |
| HTM 50 | G 132S2B | 7.5 | 365 | 334 | 216 | 250 | 192 | 274 | 92 | 10 | 10 | 3" MALE | 383 | 82.5 | 98 | 170 | 300 | 2 1/2" MALE | 145 | 188 | 18 | 18 | 160 | 203 | 80 | 65 |

* Different according to the manufacturer / Diverso a seconda del fornitore
 ** OPTIONAL-UPON REQUEST/SU RICHIESTA: Flanges/Flange