

Fig. 1

Fig. 2

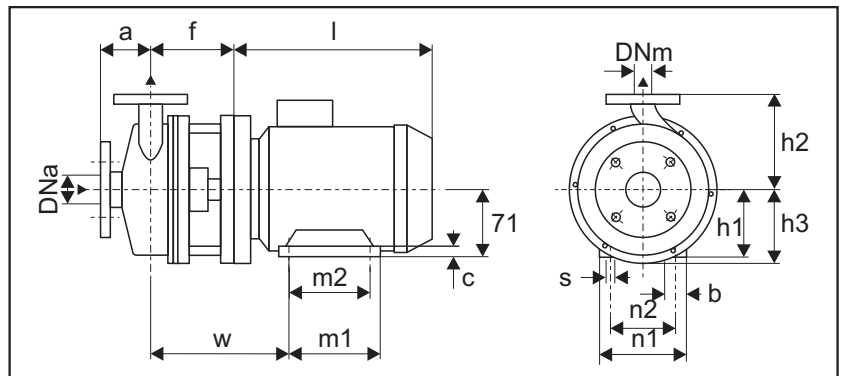


Fig. 3

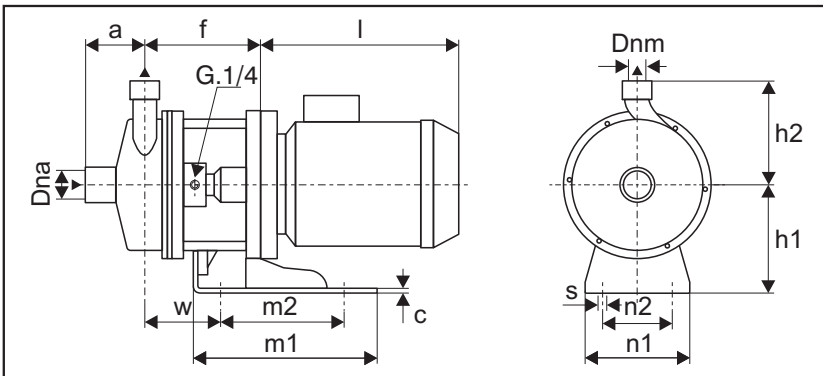


Fig. 4

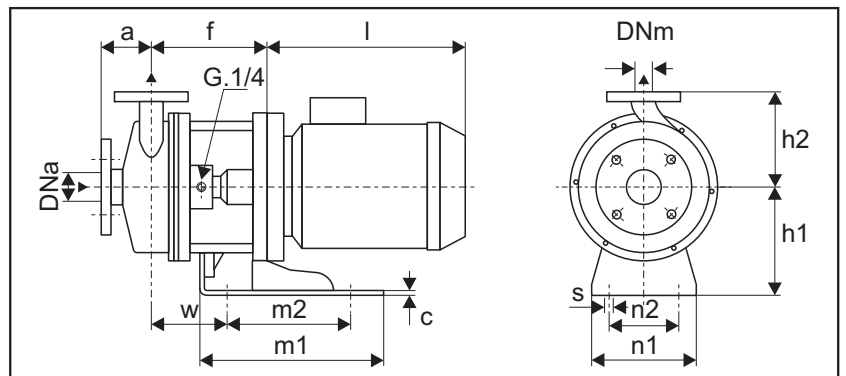
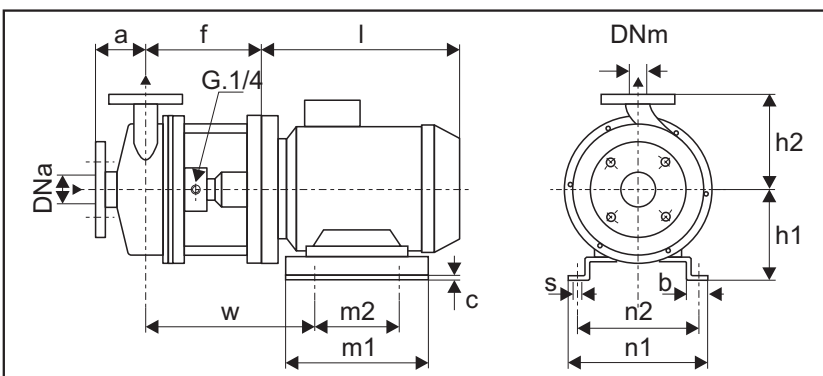
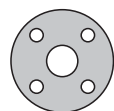


Fig. 5





MOTORE ELETTRICO ELECTRIC MOTOR					
Grandezza Size IEC	Potenza in Kw Power in Kw			I ^(a) [mm]	Peso ^(a) Weight [Kg]
	2 Poli 2 Poles	4 Poli 4 Poles	6 Poli 6 Poles		
71	0.37	0.25	0.18	205	5.5
71	0.55	0.37	0.25	205	5.5
80	0.75	0.55	0.37	235	9
80	1.1	0.75	0.55	235	10
90	1.5	1.1	0.75	250	12
90	2.2	1.5	1.1	280	14
100	3	2.2	1.5	300	21
100	-	3	-	300	23
112	4	4	2.2	330	30
132	5.5	5.5	3	400	40
132	7.5	7.5	4	400	45
132	9.2	9.2	5.5	400	52
132	11	-	-	400	60
160	15	-	-	490	85

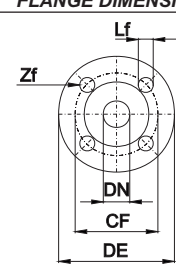
DIMENSIONI FLANGE FLANGE DIMENSIONS				
				
DNa DNm	DE	CF	Lf	Zf
32	140	100	18	4
40	150	110	18	4
50	165	125	18	4
65	185	145	18	4
80	200	160	18	8
100	220	180	18	8

Figura Picture	Tipo Type	Motore Elettrico Electric motor IEC	DIMENSIONI - DIMENSIONS [mm]														Peso ^(b) Weight [kg]	
			Pompa - Pumps							Piedi - Feet								
			Dna	Dnm	a	f	h1	h2	h3	b	m1	m2	n1	n2	w	c		s
1	20 08	71	1"M	3/4"M**	42	90	71	100	-	35	116	90	142	112	135	10	7	4.5
1		71	"	"	"	90	71	"	-	35	116	90	142	112	135	10	7	4.5
1	25 12	71	1"1/4 F	1"F**	75	84	71	160	102	35	116	90	142	112	129	10	7	5.5
3		80	"	"	"	174	150	"	-	-	235	165	164	130	122	4	10	12
3		90	"	"	"	174	150	"	-	-	235	165	164	130	122	4	10	12
2	32 12	71	50	32	80	95	71	140	102	35	116	90	142	112	140	10	7	7.5
4		80	"	"	"	176	150	"	-	-	235	165	164	130	124	4	10	14
4		90	"	"	"	176	150	"	-	-	235	165	164	130	124	4	10	14
5		100	"	"	"	196	130	"	-	23	250	175	250	230	244	3	10	16
5	32 16	80	50	32	80	184	155	160	-	23	300	220	203	183	174	3	10	20
5		90	"	"	"	184	165	"	-	23	300	220	218	198	193	3	10	20
5		100	"	"	"	204	155	"	-	25	280	200	240	218	237	3	12	22
5		112	"	"	"	204	167	"	-	25	280	200	270	248	244	3	12	22
5		132	"	"	"	224	162	"	-	29	340	220	326	304	269	4	14	27
5	32 20	80	50	32	80	191	155	180	-	23	300	220	203	183	175	3	10	30
5		90	"	"	"	191	165	"	-	23	300	220	218	198	194	3	10	30
5		100	"	"	"	211	155	"	-	25	280	200	240	218	238	3	12	33
5		112	"	"	"	211	167	"	-	25	280	200	270	248	245	3	12	33
5		132	"	"	"	231	162	"	-	29	340	220	326	304	270	4	14	38
2	40 12	71	65	40	80	95	71	140	100	35	116	90	142	112	140	10	7	8.5
4		80	"	"	"	176	150	"	-	-	235	165	164	130	124	4	10	15
4		90	"	"	"	176	150	"	-	-	235	165	164	130	124	4	10	15
5		100	"	"	"	196	130	"	-	23	250	175	250	230	244	3	10	17
5		112	"	"	"	196	142	"	-	23	250	175	280	260	238	3	10	17
5	40 16	80	65	40	80	190	155	160	-	23	300	220	203	183	180	3	10	21
5		90	"	"	"	190	165	"	-	23	300	220	218	198	199	3	10	21
5		100	"	"	"	210	155	"	-	25	280	200	240	218	243	3	12	23
5		112	"	"	"	210	167	"	-	25	280	200	270	248	250	3	12	23
5		132	"	"	"	230	162	"	-	29	340	220	326	304	275	4	14	28
5	40 20	90	65	40	100	191	165	180	-	23	300	220	218	198	196	3	10	31
5		100	"	"	"	213	155	"	-	25	280	200	240	218	240	3	12	34
5		112	"	"	"	213	167	"	-	25	280	200	270	248	247	3	12	34
5		132	"	"	"	235	162	"	-	29	340	220	326	304	272	4	14	39
5		50 16	80	80	50	100	195	155	180	-	23	300	220	203	183	185	3	10
5	90		"	"	"	195	165	"	-	23	300	220	218	198	204	3	10	24
5	100		"	"	"	215	155	"	-	25	280	200	240	218	248	3	12	26
5	112		"	"	"	215	167	"	-	25	280	200	270	248	255	3	12	26
5	132		"	"	"	225	162	"	-	29	340	220	326	304	280	4	14	31
5	50 20	100	65	50	100	239	155	200	-	25	280	200	240	218	266	3	12	41
5		112	"	"	"	239	167	"	-	25	280	200	270	248	273	3	12	41
5		132	"	"	"	259	162	"	-	25	340	220	326	304	298	4	14	46
5		160	"	"	"	289	190	"	-	25	340	220	364	342	392	4	14	53
5		65 16	90	100	65	100	195	165	200	-	23	300	220	218	198	204	3	10
5	100		"	"	"	215	155	"	-	25	280	220	240	218	248	3	12	27
5	112		"	"	"	215	167	"	-	25	280	200	270	248	255	3	12	27
5	65 20	100	80	65	100	248	155	225	-	25	280	200	240	218	275	3	12	39
5		112	"	"	"	248	167	"	-	25	280	200	270	246	282	3	12	39
5		132	"	"	"	268	162	"	-	29	340	220	326	304	307	4	14	44

Quote e pesi suscettibili di variazione.
Dimensions and weights are subject to variations.

^(a)Quota indicativa può variare in funzione della marca del motore
Not binding dimension that can change according to motor brand

^(b)Peso senza motore elettrico
Weight without electric motor

M**= maschio - male - F**= femmina - female