



**SALVATORE
ROBUSCHI
POMPE PARMA**

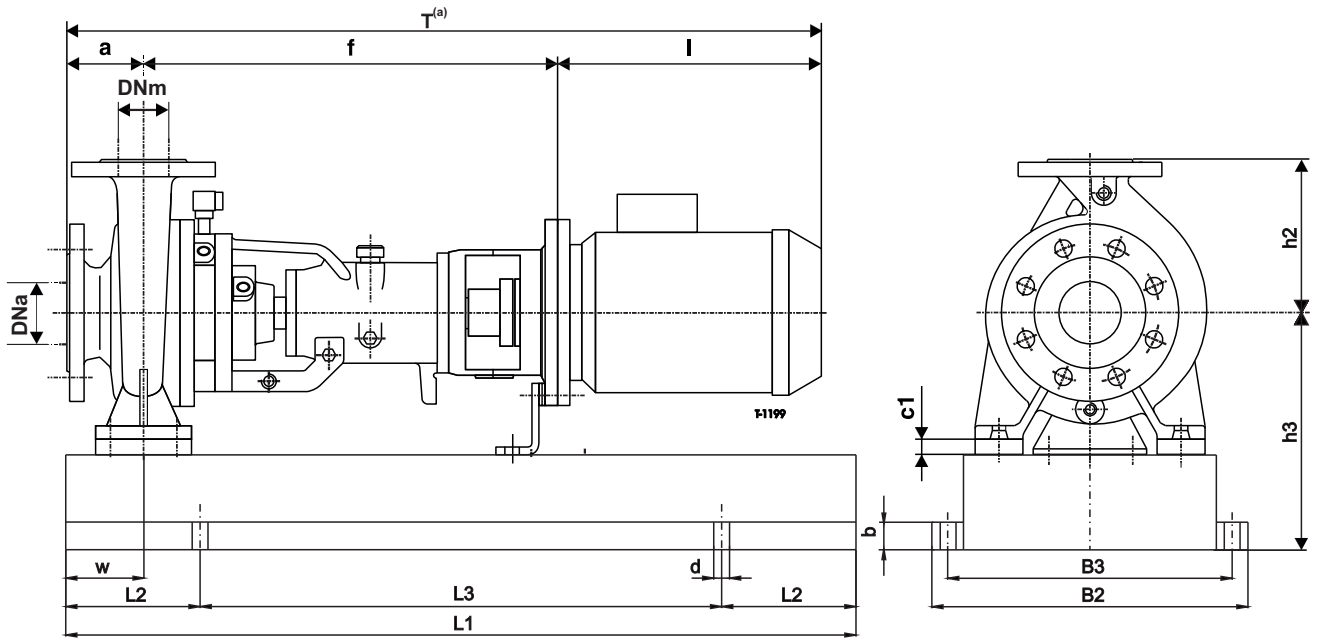
**INGOMBRI LANTERNATA
SU BASE**

**LANTERN BRACKET PUMP
ON BASE: OVERALL DIMENSIONS**

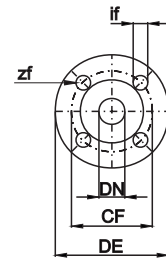
**RDL
RGL**

N : T-1738

DATA: 09/11/2012



MOTORE ELETTRICO - ELECTRIC MOTOR					
Grandezza Size IEC	Potenza in [kW] Power in [kW]			L ^(a) [mm]	Peso Weight ^(a) [kg]
	2 Poli 2 Poles	4 Poli 4 Poles	6 Poli 6 Poles		
80	0.75	0.55	0.37	232	9
80	1.1	0.75	0.55	232	10
90	1.5	1.1	0.75	270	13
90	2.2	1.5	1.1	270	16
100	3	2.2	1.5	298	21
100	-	3	-	298	23
112	4	4	2.2	312	30
132	5.5	5.5	3	381	40
132	7.5	7.5	4	381	50
132	9.2	9.2	5.5	381	50
160	11	11	7.5	486	76
160	15	15	11	486	85
160	18.5	-	-	486	95
180	22	18.5	15	576	130
180	-	22	-	576	145



Dimensioni Flange - Flanges Dimensions EN 1092-1 PN 10								
DNa - DNm	32	40	50	65	80	100	125	150
CF	100	110	125	145	160	180	210	240
DE	140	150	165	185	200	220	250	285
if	18	18	18	18	18	18	18	22
zf	4	4	4	4	4	8	8	8

Pompa Tipo Pump size	Motore elettrico Electric motor IEC	Base Base - Plate n.°	DIMENSIONI - DIMENSIONS [mm]															Peso Weight (*) [kg]		
			DNa	DNm	a	f	h2	h3	L1	L2	L3	B2	B3	w	d	b	c1		l	T(*)
32-16	80	G1	50	32	80	437	160	202	650	100	450	350	320	90	14	4	-	224	741	71
	90	"	"	"	"	437	"	"	"	"	"	"	"	"	"	"	-	247	764	83
	100	"	"	"	"	457	"	"	"	"	"	"	"	"	"	"	-	290	827	97
	112	"	"	"	"	457	"	"	"	"	"	"	"	"	"	"	-	304	841	112
	132	"	"	"	"	477	"	227	"	"	"	"	"	"	"	25	-	373	930	158
32-20	80	G1	50	32	80	437	180	230	650	100	450	350	320	90	14	4	-	224	741	78
	90	"	"	"	"	437	"	"	"	"	"	"	"	"	"	"	-	247	764	90
	100	"	"	"	"	457	"	"	"	"	"	"	"	"	"	"	-	290	827	103
	112	"	"	"	"	457	"	"	"	"	"	"	"	"	"	"	-	304	841	128
	132	"	"	"	"	477	"	"	"	"	"	"	"	"	"	"	-	373	930	164
160	"	"	"	"	507	"	"	"	"	"	"	"	"	"	20	-	478	1065	255	
40-16	80	G1	65	40	80	437	160	202	650	100	452	350	320	90	14	4	-	224	741	74
	90	"	"	"	"	437	"	"	"	"	"	"	"	"	"	"	-	247	764	86
	100	"	"	"	"	457	"	"	"	"	"	"	"	"	"	"	-	290	827	100
	112	"	"	"	"	457	"	"	"	"	"	"	"	"	"	"	-	304	841	114
	132	"	"	"	"	477	"	227	"	"	"	"	"	"	"	"	-	373	930	164
160	"	"	"	"	507	"	"	"	"	"	"	"	"	"	50	-	478	1065	255	

Quote e pesi suscettibili di variazione.
Dimensions and weights are subject to variations.

^(a)Quota indicativa può variare in funzione della marca del motore
Not binding dimension that can change according to motor brand

^(b)Peso senza motore elettrico
Weight without electric motor



**SALVATORE
ROBUSCHI
POMPE PARMA**

**INGOMBRI LANTERNATA
SU BASE**

**LANTERN BRACKET PUMP
ON BASE: OVERALL DIMENSIONS**

**RDL
RGL**

N : T-1738

DATA: 17.10.2011

Pompa Tipo Pump size	Motore elettrico Electric motor IEC	Base Base - Plate n.°	DIMENSIONI - DIMENSIONS (mm)																Peso Weight ^(b) [kg]	
			DNa	DNm	a	f	h2	h3	L1	L2	L3	B2	B3	w	d	b	c1	I		T
40-20	80	G1	65	40	100	437	180	230	650	100	450	350	320	90	14	4	-	224	761	77
	90	"	"	"	"	437	"	"	"	"	"	"	"	"	"	"	"	272	809	89
	100	"	"	"	"	457	"	"	"	"	"	"	"	"	"	"	"	290	847	107
	112	"	"	"	"	457	"	"	"	"	"	"	"	"	"	"	"	304	861	121
	132	"	"	"	"	477	"	"	"	"	"	"	"	"	"	"	"	373	950	163
50-16	80	G1	80	50	100	437	180	230	650	100	450	350	320	90	14	4	-	224	761	76
	90	"	"	"	"	437	"	"	"	"	"	"	"	"	"	"	"	272	809	88
	100	"	"	"	"	457	"	"	"	"	"	"	"	"	"	"	"	290	847	106
	112	"	"	"	"	457	"	"	"	"	"	"	"	"	"	"	"	304	861	120
	132	"	"	"	"	477	"	"	"	"	"	"	"	"	"	"	"	373	950	162
50-20	90	G1	80	50	100	437	200	230	650	100	450	350	320	90	14	4	-	272	809	80
	100	"	"	"	"	457	"	"	"	"	"	"	"	"	"	"	"	290	847	92
	112	"	"	"	"	457	"	"	"	"	"	"	"	"	"	"	"	304	861	100
	132	"	"	"	"	477	"	"	"	"	"	"	"	"	"	"	"	373	950	144
	160	"	"	"	"	507	"	250	"	"	"	"	"	"	"	20	478	1085	254	
50-25	100	G2	80	50	125	563	225	250	850	150	550	510	460	120	16	6	-	299	987	146
	112	"	"	"	"	563	"	"	"	"	"	"	"	"	"	"	"	312	1000	160
	132	"	"	"	"	583	"	"	"	"	"	"	"	"	"	"	"	382	1090	204
	160	"	"	"	"	613	"	"	"	"	"	"	"	"	"	"	"	487	1225	290
	65-16	100	G2	100	65	100	563	200	230	850	150	550	510	460	120	16	6	-	299	962
112		"	"	"	"	563	"	"	"	"	"	"	"	"	"	"	"	324	987	136
132		"	"	"	"	583	"	"	"	"	"	"	"	"	"	"	"	382	1065	193
160		"	"	"	"	613	"	"	"	"	"	"	"	"	"	20	487	1200	270	
65-20		100	G2	100	65	100	563	225	250	850	150	550	510	460	120	16	6	-	299	962
	112	"	"	"	"	563	"	"	"	"	"	"	"	"	"	"	"	324	987	144
	132	"	"	"	"	583	"	"	"	"	"	"	"	"	"	"	"	382	1065	201
	160	"	"	"	"	613	"	"	"	"	"	"	"	"	"	"	"	487	1200	278
	65-25	100	G2	100	65	125	563	250	270	850	150	550	510	460	120	16	6	-	299	987
112		"	"	"	"	563	"	"	"	"	"	"	"	"	"	"	"	312	1000	154
132		"	"	"	"	583	"	"	"	"	"	"	"	"	"	"	"	382	1090	211
160		"	"	"	"	613	"	"	"	"	"	"	"	"	"	"	"	487	1225	285
65-31		112	G3	100	65	125	598	280	325	1000	200	600	650	590	140	20	8	-	307	1030
	132	"	"	"	"	618	"	"	"	"	"	"	"	"	"	"	"	377	1120	202
	160	"	"	"	"	648	"	"	"	"	"	"	"	"	"	"	"	482	1255	255
	180	"	"	"	"	"	"	"	"	"	"	"	"	"	"	"	"	572	1345	320
	80-16	100	G2	125	80	125	563	225	250	850	150	550	510	460	120	16	6	-	299	987
112		"	"	"	"	563	"	"	"	"	"	"	"	"	"	"	"	312	1000	150
132		"	"	"	"	583	"	"	"	"	"	"	"	"	"	"	"	382	1090	200
160		"	"	"	"	613	"	"	"	"	"	"	"	"	"	"	"	577	1315	285
80-20		100	G2	125	80	125	563	250	250	850	150	550	510	460	120	16	6	-	299	987
	112	"	"	"	"	563	"	"	"	"	"	"	"	"	"	"	"	312	1000	154
	132	"	"	"	"	583	"	"	"	"	"	"	"	"	"	"	"	382	1090	204
	160	"	"	"	"	613	"	"	"	"	"	"	"	"	"	"	"	577	1315	289
	80-25	100	G2	125	80	125	563	280	295	850	150	550	510	460	120	16	6	-	299	987
112		"	"	"	"	563	"	"	"	"	"	"	"	"	"	"	"	312	1000	169
132		"	"	"	"	583	"	"	"	"	"	"	"	"	"	"	"	382	1090	219
160		"	"	"	"	613	"	"	"	"	"	"	"	"	"	"	"	577	1315	304
80-31		112	G3	125	80	125	598	315	350	1000	200	600	650	590	140	20	8	-	307	1030
	132	"	"	"	"	618	"	"	"	"	"	"	"	"	"	"	"	377	1120	232
	160	"	"	"	"	648	"	"	"	"	"	"	"	"	"	"	"	482	1255	310
	180	"	"	"	"	"	"	"	"	"	"	"	"	"	"	"	"	572	1345	400
	100-20	100	G2	125	100	125	563	280	270	850	150	550	510	460	120	16	6	-	299	987
112		"	"	"	"	563	"	"	"	"	"	"	"	"	"	"	"	312	1000	169
132		"	"	"	"	583	"	"	"	"	"	"	"	"	"	"	"	382	1090	269
160		"	"	"	"	613	"	"	"	"	"	"	"	"	"	"	"	577	1315	304
180		"	"	"	"	"	"	"	"	"	"	"	"	"	"	"	"	577	"	414
100-25	100	G3	125	100	140	598	280	325	1000	200	600	650	590	140	20	8	-	282	1020	185
	112	"	"	"	"	598	"	"	"	"	"	"	"	"	"	"	"	302	1040	200
	132	"	"	"	"	618	"	"	"	"	"	"	"	"	"	"	"	377	1135	250
	160	"	"	"	"	648	"	"	"	"	"	"	"	"	"	"	"	482	1270	335
	180	"	"	"	"	648	"	"	"	"	"	"	"	"	"	"	"	572	1360	445
100-31	100	G3	125	100	140	598	315	350	1000	200	600	650	590	140	20	8	-	282	1020	305
	112	"	"	"	"	598	"	"	"	"	"	"	"	"	"	"	"	302	1040	220
	132	"	"	"	"	618	"	"	"	"	"	"	"	"	"	"	"	377	1135	270
	160	"	"	"	"	648	"	"	"	"	"	"	"	"	"	"	"	482	1270	355
	180	"	"	"	"	648	"	"	"	"	"	"	"	"	"	"	"	572	1360	465
125-25	112	G3	150	125	140	598	355	350	1000	200	600	650	590	140	20	8	-	302	1040	220
	132	"	"	"	"	618	"	"	"	"	"	"	"	"	"	"	"	377	1135	270
	160	"	"	"	"	648	"	"	"	"	"	"	"	"	"	"	"	482	1270	355
	180	"	"	"	"	648	"	"	"	"	"	"	"	"	"	"	"	572	1360	465
	125-31	112	G3	150	125	140	598	355	380	1000	200	600	650	590	140	20	8	-	302	1040
132		"	"	"	"	618	"	"	"	"	"	"	"	"	"	"	"	377	1135	270
160		"	"	"	"	648	"	"	"	"	"	"	"	"	"	"	"	482	1270	330
180		"	"	"	"	648	"	"	"	"	"	"	"	"	"	"	"	572	1360	485

Quote e pesi suscettibili di variazione.

Dimensions and weights are subject to variations.

^(a)Quota indicativa può variare in funzione della marca del motore
Not binding dimension that can change according to motor brand

^(b)Peso senza motore elettrico
Weight without electric motor