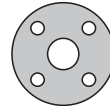




**SALVATORE  
ROBUSCHI  
POMPE PARMA**

INGOMBRI MONOBLOCCO

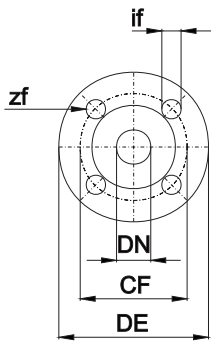
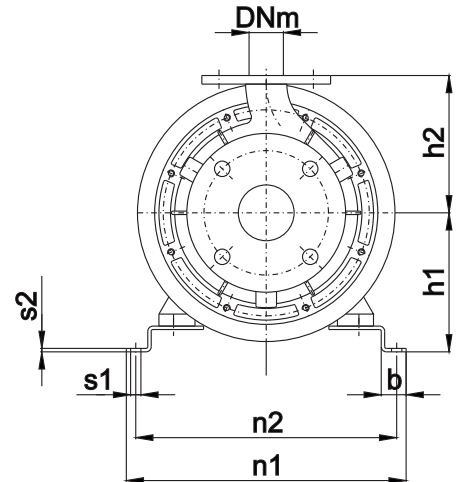
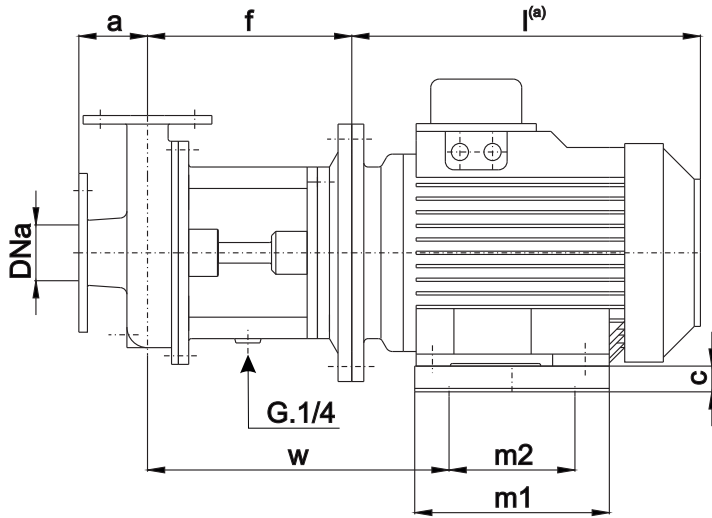
CLOSE COUPLED  
OVERALL DIMENSIONS



**HD  
HG**

N : T-1455

DATA: 17.10.2011

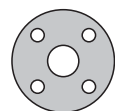


Dimensioni Flange - Flanges Dimensions EN 1092-1								
DNa - DNm	25	32	40	50	65	80	100	125
CF	85	100	110	125	145	160	180	210
DE	115	140	150	165	185	200	220	250
if	14	18	18	18	18	18	18	18
zf	4	4	4	4	4	8	8	8

MOTORE ELETTRICO - ELECTRIC MOTOR					
Grandezza Size IEC	Potenza in kw Power in kw			L <sup>(a)</sup> [mm]	Peso <sup>(a)</sup> Weight [kg]
	2 Poli 2 Poles	4 Poli 4 Poles	6 Poli 6 Poles		
	80	0.75	0.55		
80	1.1	0.75	0.55	232	10
90	1.5	1.1	0.75	245	13
90	2.2	1.5	1.1	270	16
100	3	2.2	1.5	298	21
100	-	3	-	298	23
112	4	4	2.2	312	30
132	5.5	5.5	3	381	40
132	7.5	7.5	4	381	50
132	9.2	9.2	5.5	381	50
160	11	11	7.5	486	76
160	15	15	11	486	85
160	18.5	-	-	486	95
180	22	18.5	-	576	125
180	-	22	15	576	145

Quote e pesi suscettibili di variazione.  
Dimensions and weights are subject to variations.

<sup>(a)</sup>Quota indicativa può variare in funzione della marca del motore  
Not binding dimension that can change according to motor brand



Pompa tipo Pump size	Motore Elettrico Electric Motor UNEL-MEC	DIMENSIONI - DIMENSIONS [mm]															Peso <sup>(b)</sup> Weight [kg]
		Pompa - Pumps							Piedi - Feet								
		DNa	DNm	a	f	h1	h2	b	c	m1	m2	n1	n2	s1	s2	w	
<b>25-16</b>	80	40	25	60	187	155	147	23	75	300	220	203	183	10	3	177	15
	90	"	"	"	187	165	"	23	75	300	220	218	198	10	3	183	15
	100	"	"	"	207	155	"	25	55	280	200	240	218	12	3	240	21
	112	"	"	"	207	167	"	25	55	280	200	270	248	12	3	247	21
<b>32-16</b>	80	50	32	80	194	155	160	23	75	300	220	203	183	10	3	184	18
	90	"	"	"	194	165	"	23	75	300	220	218	198	10	3	190	18
	100	"	"	"	214	155	"	25	55	280	200	240	218	12	3	247	24
	112	"	"	"	214	167	"	25	55	280	200	270	248	12	3	254	24
	132	"	"	"	234	162	"	29	30	340	220	326	304	14	4	283	24
<b>32-20</b>	<b>VEDI RS 32 - 20 SEE RS 32 - 20</b>																
<b>40-16</b>	80	65	40	80	198	155	160	23	75	300	220	203	183	10	3	188	20
	90	"	"	"	198	165	"	23	75	300	220	218	198	10	3	194	20
	100	"	"	"	218	155	"	25	55	280	200	240	218	12	3	251	26
	112	"	"	"	218	167	"	25	55	280	200	270	248	12	3	258	26
	132	"	"	"	238	162	"	29	30	340	220	326	304	14	4	287	26
<b>40-20</b>	<b>VEDI RS 40 - 20 SEE RS 40 - 20</b>																
<b>50-16</b>	80	80	50	100	203	155	180	23	75	300	220	203	183	10	3	193	21
	90	"	"	"	203	165	"	23	75	300	220	218	198	10	3	199	21
	100	"	"	"	223	155	"	25	55	280	200	240	218	12	3	256	27
	112	"	"	"	223	167	"	25	55	280	200	270	248	12	3	263	27
	132	"	"	"	243	162	"	29	30	340	220	326	304	14	4	292	27
	160	"	"	"	273	210	"	45	50	500	350	404	364	15	5	311	32
<b>50-20</b>	80	80	50	100	221	155	200	23	75	300	220	203	183	10	3	211	27
	90	"	"	"	221	165	"	23	75	300	220	218	198	10	3	217	27
	100	"	"	"	238	155	"	25	55	280	200	240	218	12	3	271	33
	112	"	"	"	238	167	"	25	55	280	200	270	248	12	3	281	33
	132	"	"	"	261	162	"	29	30	340	220	326	304	14	4	310	33
160	"	"	"	291	210	"	45	50	500	350	404	364	15	5	329	41	
<b>65-16</b>	80	100	65	100	230	155	200	23	75	300	220	203	183	10	3	220	29
	90	"	"	"	230	165	"	23	75	300	220	218	198	10	3	225	29
	100	"	"	"	250	155	"	25	55	280	200	240	218	12	3	282	35
	112	"	"	"	250	167	"	25	55	280	200	270	248	12	3	290	35
	132	"	"	"	270	162	"	29	30	340	220	326	304	14	4	318	35
	160	"	"	"	300	210	"	45	50	500	350	404	364	15	5	338	43
<b>65-20</b>	90	100	65	100	229	190	225	30	100	370	220	234	207	12	3	225	35
	100	"	"	"	249	200	"	30	100	370	220	254	227	12	3	272	41
	112	"	"	"	249	212	"	30	100	370	220	284	257	12	3	279	41
	132	"	"	"	269	212	"	31	80	400	300	325	298	12	4	278	41
	160	"	"	"	299	210	"	45	50	500	350	404	364	15	5	337	49
	180	"	"	"	299	230	"	45	50	500	350	429	389	15	5	365	49
<b>80-16</b>	90	125	80	125	236	190	225	30	100	370	220	234	207	12	3	232	37
	100	"	"	"	256	200	"	30	100	370	220	254	227	12	3	279	43
	112	"	"	"	256	212	"	30	100	370	220	284	257	12	3	286	43
	132	"	"	"	276	212	"	31	80	400	300	325	298	12	4	285	43
	160	"	"	"	306	210	"	45	50	500	350	404	364	15	5	344	51
	180	"	"	"	306	230	"	45	50	500	350	429	389	15	5	372	51
<b>80-20</b>	90	125	80	125	236	190	250	30	100	370	220	234	207	12	3	232	40
	100	"	"	"	256	200	"	30	100	370	220	254	227	12	3	279	46
	112	"	"	"	256	212	"	30	100	370	220	284	257	12	3	286	46
	132	"	"	"	276	212	"	31	80	400	300	325	298	12	4	285	46
	160	"	"	"	306	210	"	45	50	500	350	404	364	15	5	344	54
	180	"	"	"	306	230	"	45	50	500	350	429	389	15	5	372	54

Quote e pesi suscettibili di variazione.  
Dimensions and weights are subject to variations.

<sup>(b)</sup>Peso senza motore elettrico  
Weight without electric motor