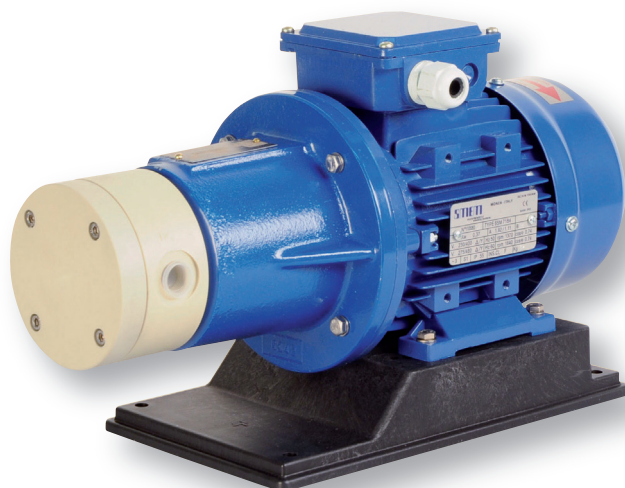


HPP-HPF

THERMOPLASTIC MAG DRIVE
ROTARY VANE PUMPS

POMPE ROTATIVE A PALETTE
A TRASCINAMENTO MAGNETICO
IN MATERIALI TERMOPLASTICI



■ MAIN FEATURES

Mag drive rotary vane pumps series HPP-HPF are made of thermoplastic materials (PP/PVDF) and are suitable for corrosive liquids, alkalis, toxic, noxious and carcinogenic fluids.

Thanks to the innovative mag drive system, pumps model HPP-HPF reduce the risks of leakage and the maintenance costs. HPP-HPF pumps are useful for low flow and high head applications such as Pilot Plants and Sampling.

■ MATERIALS AVAILABLE:

PP, PVDF;

Materials in contact with the liquid:

Casing, end cover, internal magnet and rear casing: PP/PVDF;
O-ring: EPDM/VITON;
Graphite Stator;
Rotor shaft: PVDF

■ PERFORMANCES:

Max flow 1000 l/h; Max pressure 5 bar;

■ TEMPERATURE:

PP: max 70°C - PVDF: max 90°C

■ SYSTEM PRESSURE:

8 bar.

■ STANDARD:

High torque magnetic coupling;
Direct starting motor.

■ OPTIONAL:

Flanges available;
Dry-running protection;
Baseplate.

■ CARATTERISTICHE

Le pompe rotative a palette serie HPP-HPF sono costruite in materiali termoplastici (PP/PVDF) e sono adatte al pompaggio di liquidi corrosivi, alcali, liquidi tossici, nocivi e cancerogeni. Grazie all'innovativo sistema a trascinamento magnetico, le pompe modello HPP-HPF riducono il rischio di perdite e i costi di manutenzione. Le pompe HPP-HPF sono adatte per applicazioni con basse portate e alte pressioni come ad esempio Impianti Pilota e Campionamento.

■ MATERIALI DISPONIBILI:

PP, PVDF;

Materiali a contatto con il liquido:

Corpo, coperchio, magnete interno e bicchiere: PP/PVDF;
O-ring: EPDM/VITON;
Statore in grafite;
Rotore: PVDF

■ PRESTAZIONI:

Portata fino a 1000 l/h; Pressione fino a 5 bar;

■ TEMPERATURA MASSIMA DI ESERCIZIO:

PP: max 70°C - PVDF: max 90°C

■ PRESSIONE DI SISTEMA:

8 bar.

■ STANDARD:

Elevata coppia magnetica;
Avviamento diretto.

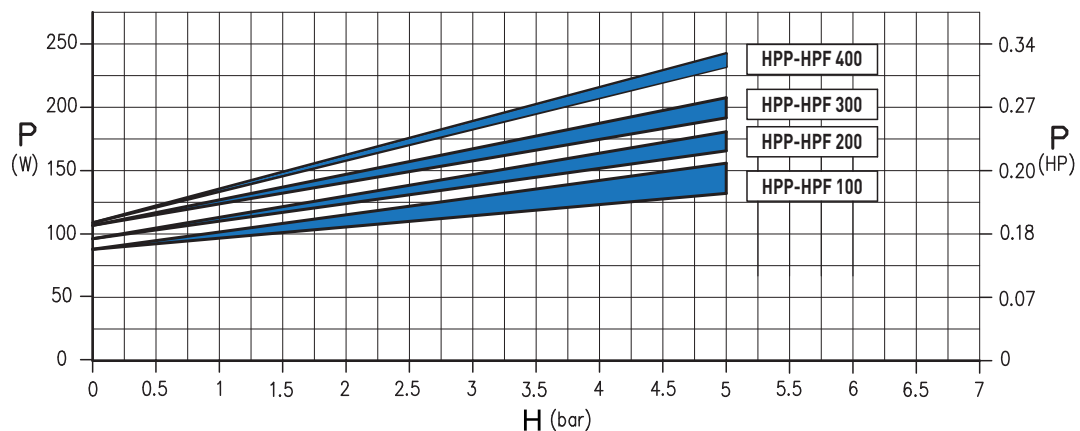
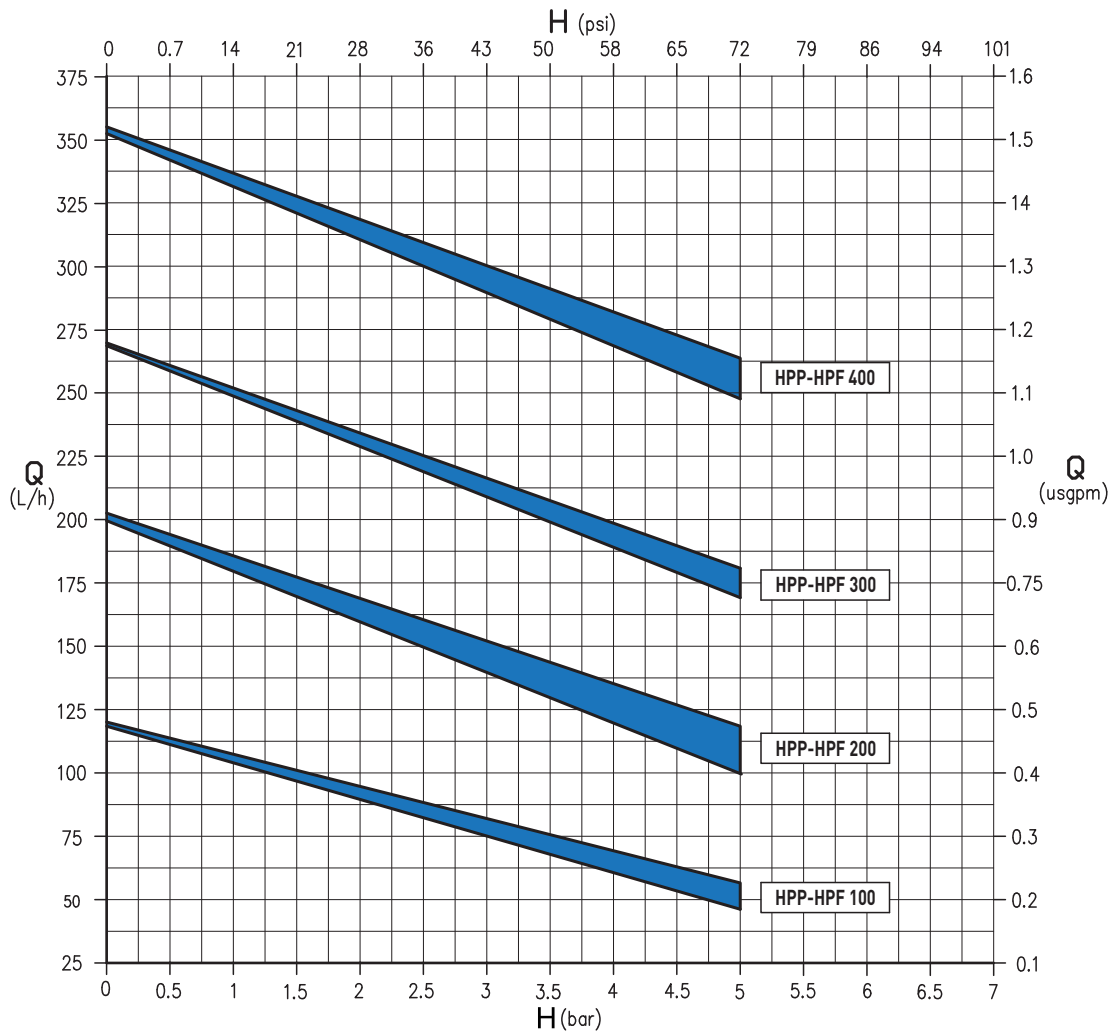
■ OPTIONAL:

Flange;
Dispositivo contro la marcia a secco;
Basamento.

HPP-HPF 1° RANGE

50 HZ-1450 RPM CURVES

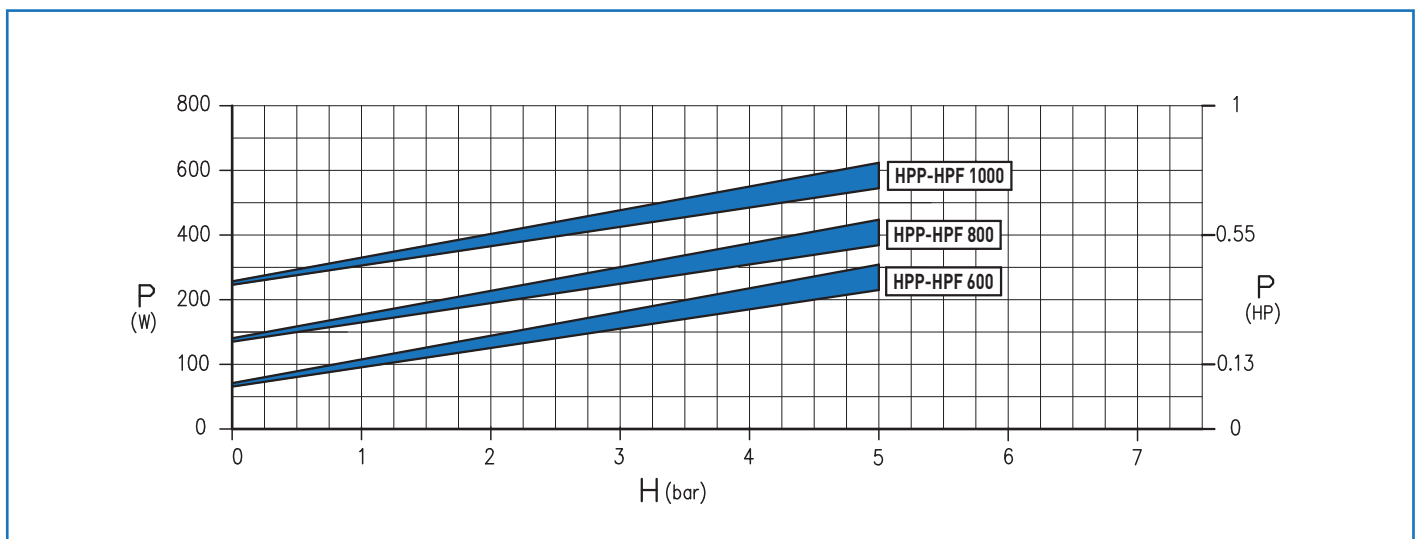
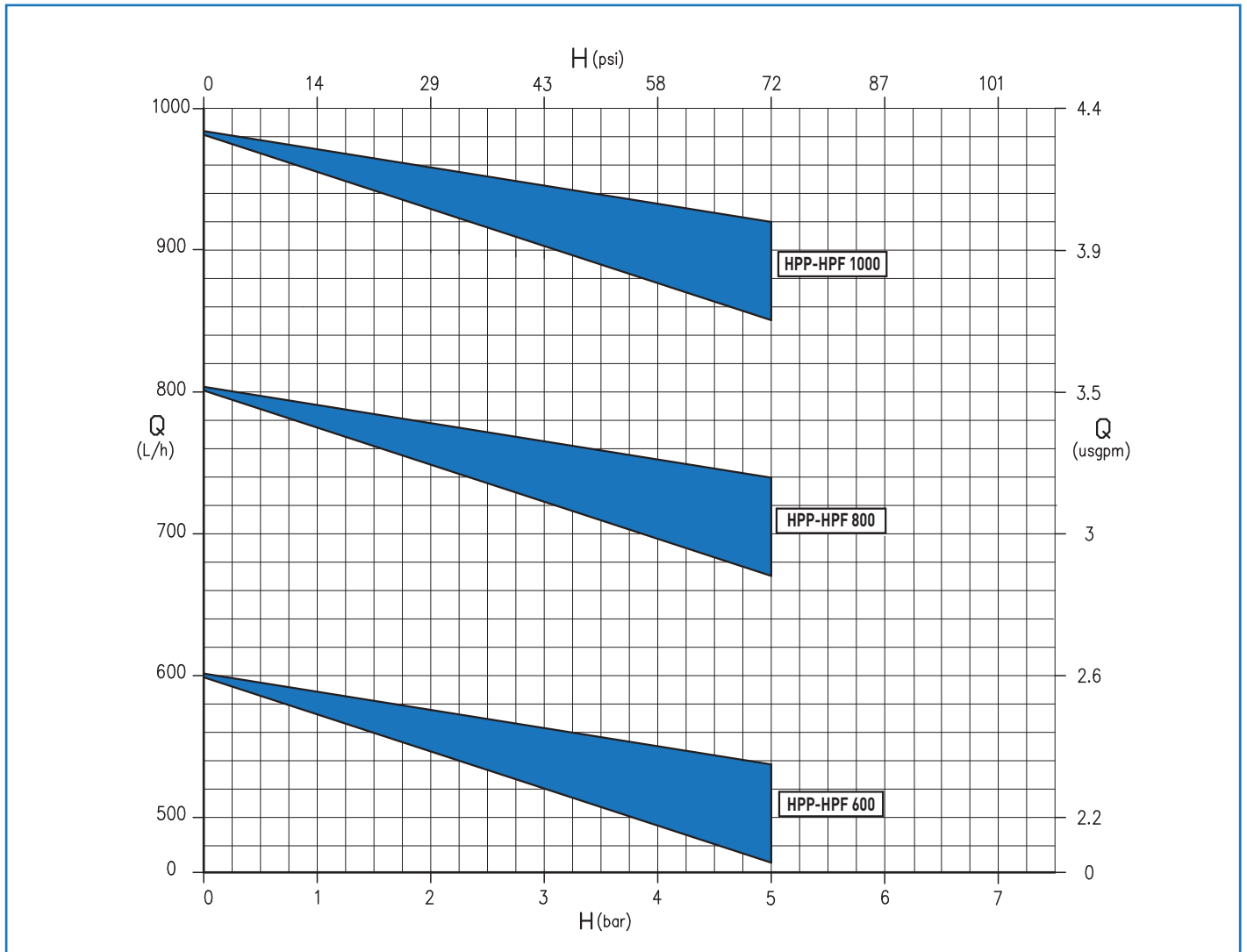
CURVE 50 HZ-1450 RPM



HPP-HPF 2° RANGE

50 HZ-1450 RPM CURVES

CURVE 50 HZ-1450 RPM



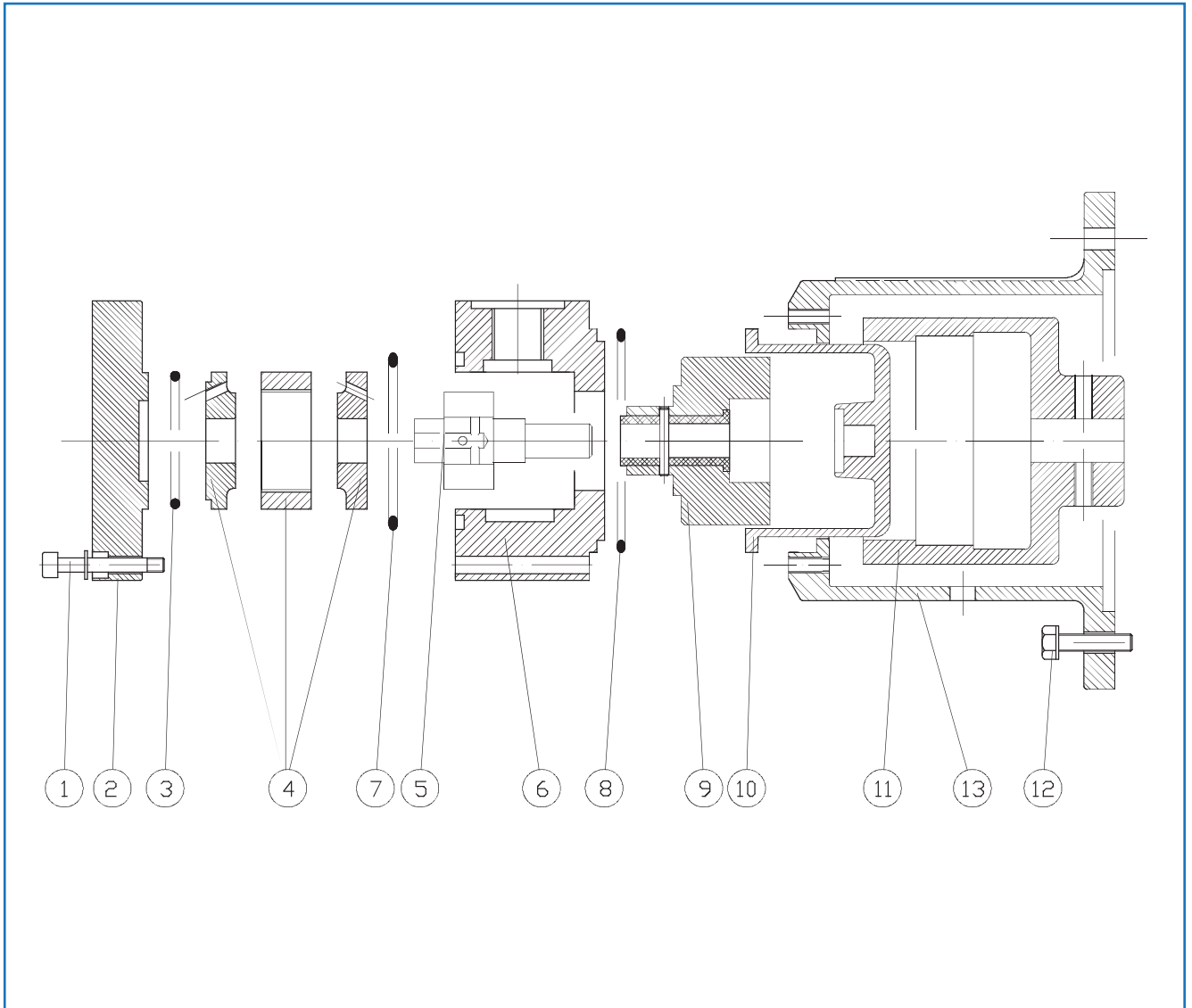
HPP-HPF PP/PVDF

SECTION AND PARTS LIST

1° - 2° RANGE

SEZIONE E LISTA PARTI

1° - 2° RANGE



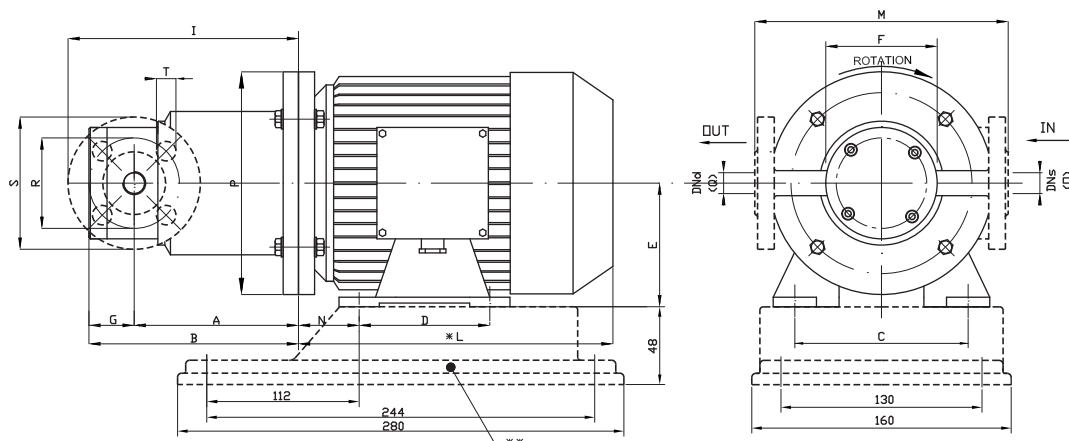
POS.	1	2	3	4	5	6	7	8	9	10	11	12	13
PART DESCR.	SET SCREWS	END COVER	O-RING	FLANGES STATOR VANES + PINS	ROTOR SHAFT	PUMP CASING	O-RING	O-RING	INTERNAL MAGNET	REAR CASING	EXTERNAL MAGNET	SET SCREWS	BRACKET
Materials	AISI304	PP-PVDF	EPDM VITON	GRAPHITE + PVDF	PVDF	PP-PVDF	EPDM VITON	EPDM VITON	PP-PVDF	PP-PVDF	C40 + NdFeb	AISI304	ALUMINIUM

HPP-HPF PP/PVDF

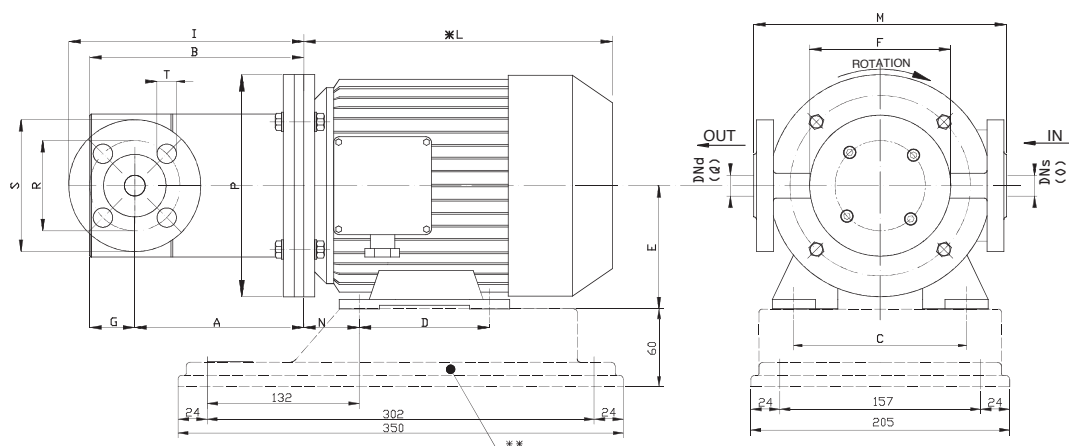
DIMENSIONS

DIMENSIONI D'INGOMBRO

HPP-HPF 1° RANGE



HPP-HPF 2° RANGE



* Different according to the manufacturer / Diverso a seconda del fornitore.

** OPTIONAL UPON REQUEST: Baseplate type B / SU RICHIESTA: Piede d'appoggio tipo B

PUMP TYPE	FLANGES DIMENSIONS - mm - DN 15 PN 16				
	R	S	T	DNs	DNd
HPP-HPF 1° RANGE	65	95	14	15	15

PUMP TYPE	FLANGES DIMENSIONS - mm - DN 20 PN 16				
	R	S	T	DNs	DNd
HPP-HPF 2° RANGE	75	105	14	20	20

PUMP TYPE	MOTOR FLANGE B3 - B5	POT. kW	DIMENSIONS - mm -													
			A	B	C	D	E	F	G	I	* L	M	N	O	P	Q
HPP-HPF 1° RANGE	G 71-4B	0,37	128	164	112	90	71	90	36	175	215	182	45	3/8"G.	160	3/8"G.
HPP-HPF 2° RANGE	G 90-S2	1,5	179	223	140	100	90	127	44	232	255	218	56	1/2"G.	200	1/2"G.

RANGE OF PRODUCTION PANORAMA PRODUTTIVO

HTM PP/PVDF



MAG-DRIVE CENTRIFUGAL PUMPS

- Q max: 45 m³/h - H max: 33 mlc
- Materials: PP / PVDF

HTM SS



MAG-DRIVE CENTRIFUGAL PUMPS

- Q max: 32 m³/h - H max: 24 mlc
- Materials: AISI 316

PVA



VERTICAL CENTRIFUGAL CANTILEVER PUMPS

- Q max: 24 m³/h - H max: 26 mlc
- Materials: AISI 316 / TITANIUM

HTT



MAG-DRIVE REGENERATIVE TURBINE PUMPS

- Q max: 9 m³/h - H max: 50 mlc
- Materials: PP / PVDF

HTA



MAG-DRIVE REGENERATIVE TURBINE PUMPS

- Q max: 7 m³/h - H max: 80 mlc
- Materials: AISI 316 / HASTELLOY-C
TITANIUM

HV



VERTICAL CENTRIFUGAL MONOBLOC PUMPS

- Q max: 40 m³/h
- H max: 22 mlc
- Materials: PP / PVDF

HPP - HPF



MAG-DRIVE VANE PUMPS

- Q max: 1000 l/h - H max: 5 bar
- Materials: PP / PVDF

HTP



ROTARY VANE MAG-DRIVE PUMPS DRY SELF-PRIMING

- Q max: 2100 l/h - H max: 13 bar
- Materials: AISI 316 L / HASTELLOY-C
TITANIUM

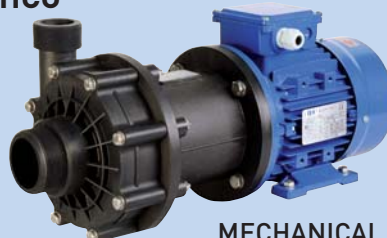
HVL



VERTICAL CENTRIFUGAL PUMPS OPEN IMPELLER

- Q max: 57 m³/h
- H max: 39 mlc
- Materials: PP / PVDF

HCO



MECHANICAL SEAL CENTRIFUGAL PUMPS

- Q max: 58 m³/h - H max: 38 mlc
- Materials: PP / PVDF

VPM / VPS / VPL



LIQUID RING VACUUM PUMPS

- Q max: 450 m³/h - H max: 33 bar
- Materials: AISI 316/316 L SS / ALLOY
HASTELLOY-C / TITANIUM