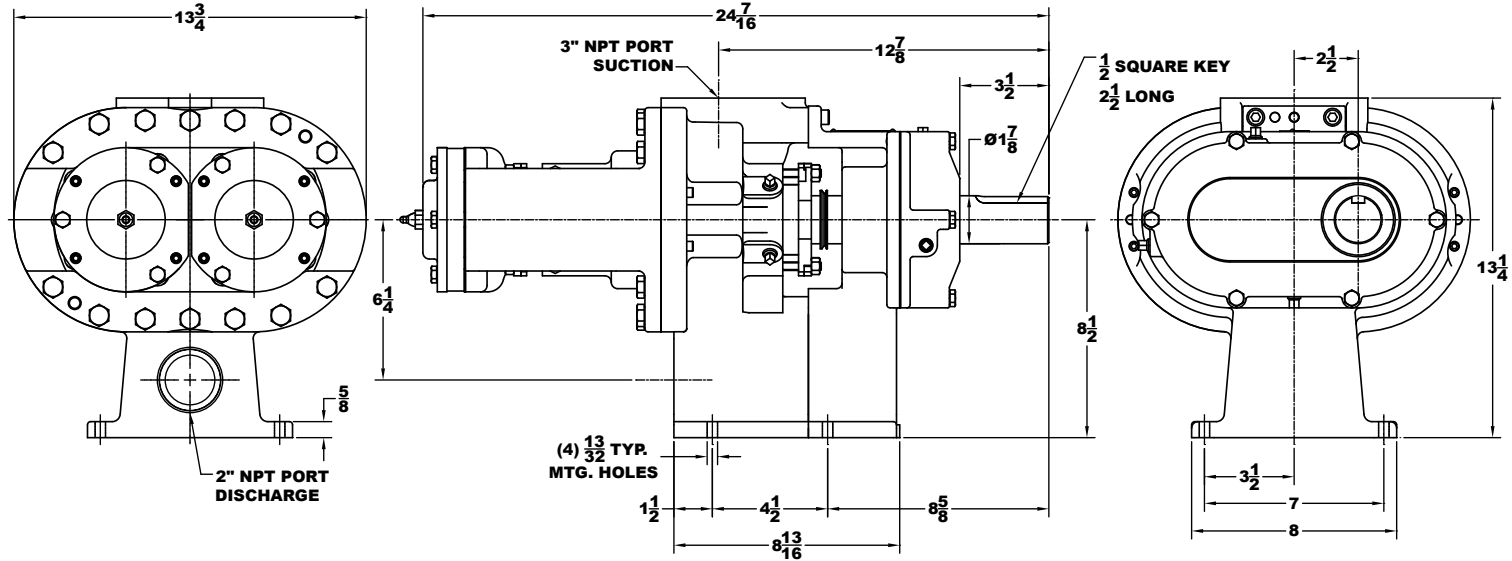
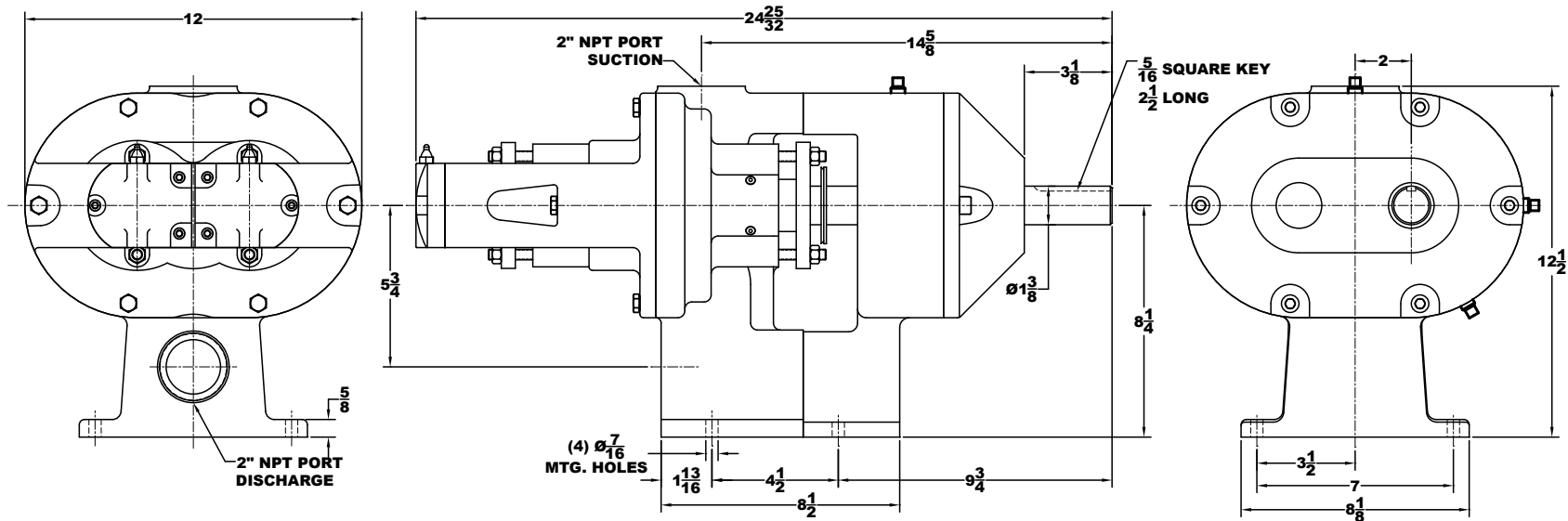


HD70A



HD2A



| Section | Descriptor | 70A | 2A | Remarks |
|----------------|---|-----------------|------------------|--|
| Mounting Holes | Mounting Hole Location | Same | Same | Existing mounting holes can be re-used and adjustments can be made to piping and motor locations. |
| | Mounting Hole Size | (4) 13/32" | (4) 7/16" | Same fasteners can be re-used. |
| Drive Shaft | Shaft Diameter | 1-7/8" | 12" | Move motor closer to pump and/or increase coupling length to take up 1-1/8" difference. |
| | Square Key Size | 1/2 x 2-1/2 Lg. | 5/16 x 2-1/2 Lg. | Key for new coupling bore is also larger. |
| | Center of Mounting Hole Pattern to End of Shaft | 10-7/8" | 12" | Move motor closer to pump and/or increase coupling length to take up 1-1/8" difference. |
| | Shaft offset from Center of Pump | 2-1/2" | 2" | Reposition the motor 1/2". |
| | Shaft Center to Bottom of Pump | 8-1/2" | 8-1/4" | Shim motor 1/4" Note: Shimming pump 1/4" & motor 1/2" will maintain discharge piping height. |
| | Shaft End to Body of Pump | 3-1/2" | 3-1/8" | 70A has more room to fit larger coupling. |
| Suction Port | Size | 3" NPT | 3" NPT | |
| | Center Port to Center of Mounting Pattern | 2" | 1-3/4" | Relocate port piping 1/4" away from motor end of pump. |
| | Center Port to End of Shaft | 12-7/8" | 13-3/4" | |
| | Bottom of Pump to Port Surface | 13-1/4" | 12-5/8" | Size 70A is .625 higher, so cut back piping by that amount. |
| Discharge Port | Size | 2" NPT | 3" NPT | Install reducer bushing and shorten pipe or re-size pipe. |
| | Center of Port to Bottom of Pump | 2-1/4" | 2-1/2" | Shim pump 1/4" Note: Shimming pump 1/4" and motor 1/2" will maintain discharge piping height. |
| | Center of Port to Drive Shaft | 6-1/4" | 5-3/4" | Reference Dimensions |
| Pump Footprint | Width | 13-3/4" | 12" | |
| | Height | 13-1/4" | 12-5/8" | |
| | Length Including Shaft | 24-7/16" | 24-25/32" | |