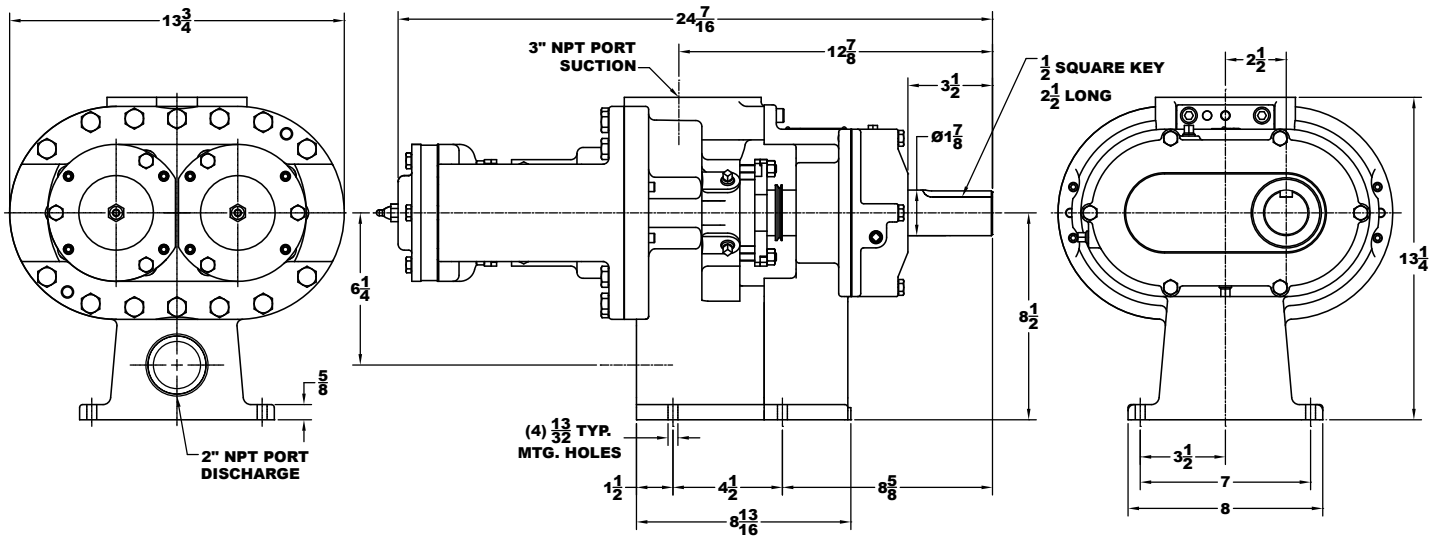


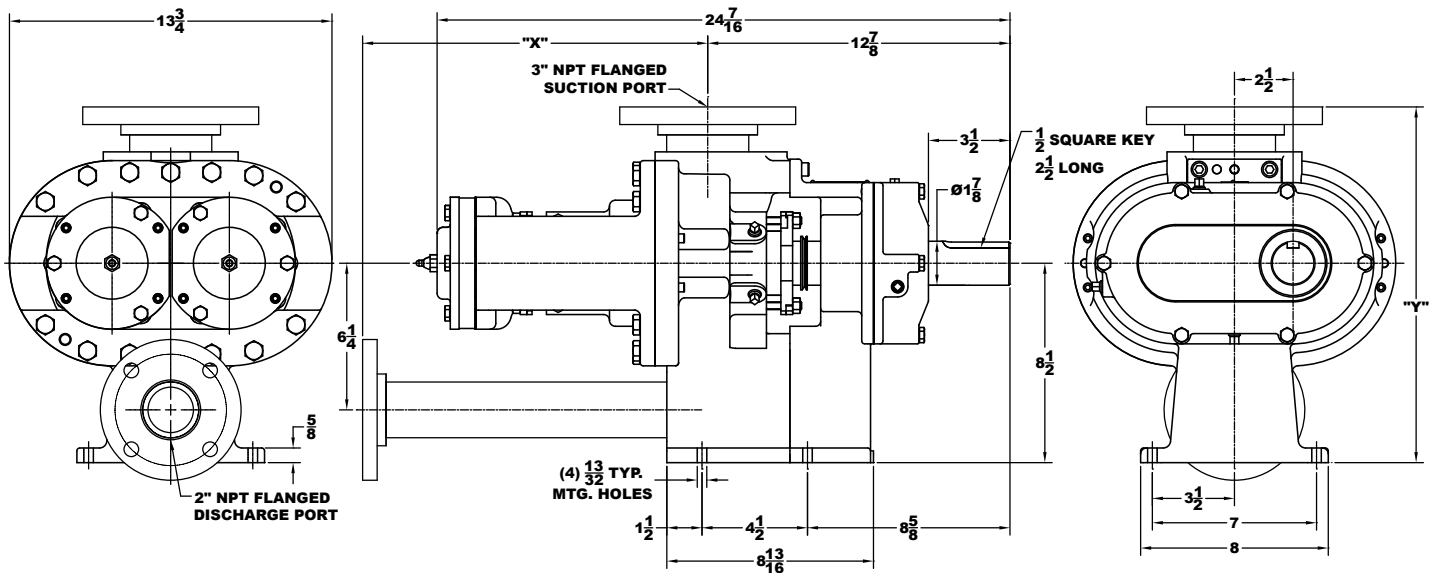
## Table of Contents

70A Pump Mounting Dimensions.....	<b>3</b>	HD Maximum Overhung Load Calculation.....	<b>17</b>
70A Pump Mounting Dimensions with Flanged Ports.....	<b>3</b>	HD Maximum Allowable Transmitted Torque on Pump Shafts (Inch-Pounds).....	<b>18</b>
Flanged Port Dimensions.....	<b>3</b>	HD Nozzle Loading Data.....	<b>18</b>
120A Pump Mounting Dimensions.....	<b>4</b>	HD Model Steam Jacket.....	<b>18</b>
120A Pump Mounting Dimensions with Flanged Ports.....	<b>4</b>	General Ph Chart.....	<b>19</b>
Flanged Port Dimensions.....	<b>4</b>	HD Maximum Case, Differential, Discharge, and Suction Pressures.....	<b>19</b>
330 Pump Mounting Dimensions.....	<b>5</b>	Flange Ratings (Cast Iron).....	<b>20</b>
330 Pump Mounting Dimensions with Flanged Ports.....	<b>5</b>	Flange Ratings (Stainless Steel).....	<b>21</b>
Flanged Port Dimensions.....	<b>5</b>		
600 Pump Mounting Dimensions.....	<b>6</b>		
600 Pump Mounting Dimensions with Flanged Ports.....	<b>6</b>		
Flanged Port Dimensions.....	<b>6</b>		
HD Process Pump Numbering System.....	<b>7</b>		
Temperature Limits of HD Process Pump Materials.....	<b>7</b>		
HD Industrial Duty Pump Materials of Construction.....	<b>8</b>		
HD Seal Specifications.....	<b>9</b>		
HD NPSHr Data.....	<b>11</b>		
Industrial Duty Seal Chamber Dimensions.....	<b>11</b>		
Priming Ability of HD Series Pumps.....	<b>12</b>		
Maximum Speed Vs. Viscosity.....	<b>13</b>		
Horsepower Multiplying Factor Vs. Viscosity.....	<b>13</b>		
Model 70A Impeller and Timing Gear Chart.....	<b>14</b>		
Model 120A Impeller and Timing Gear Chart.....	<b>14</b>		
Model 330 Impeller and Timing Gear Chart.....	<b>14</b>		
Model 600 Impeller and Timing Gear Chart.....	<b>14</b>		
Abrasives & Slurries.....	<b>15</b>		
Spherical Particle Size Data.....	<b>15</b>		
Particle Size Reference.....	<b>16</b>		
Packing Style Arrangements.....	<b>16</b>		

## 70A Pump Mounting Dimensions



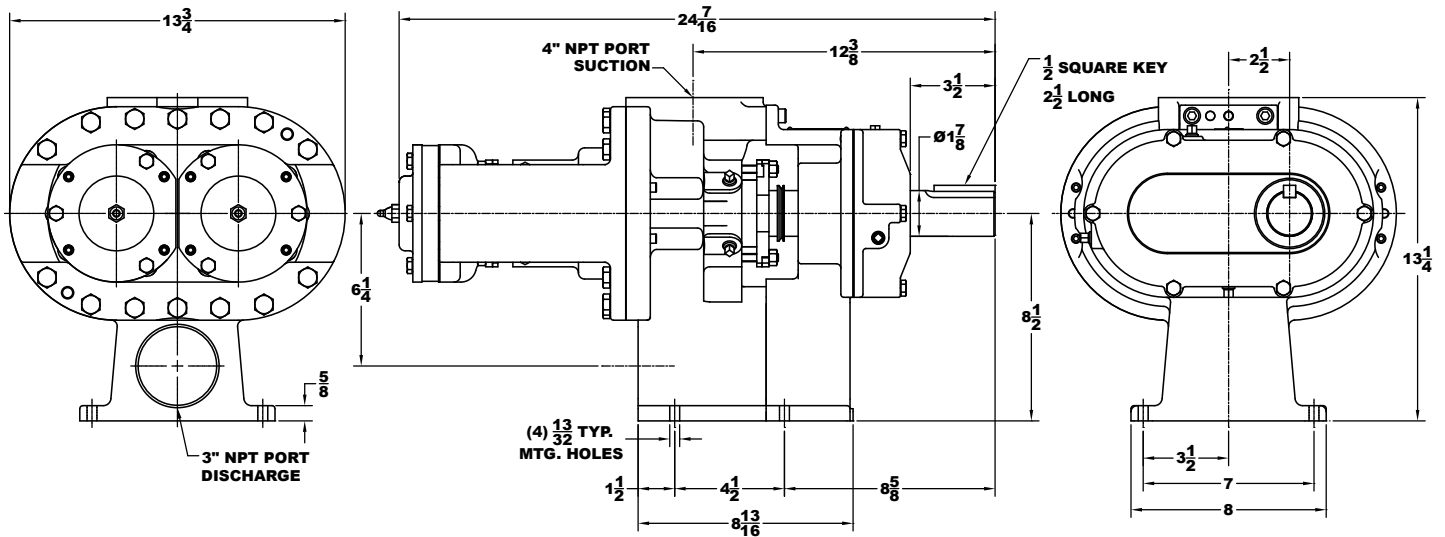
## 70A Pump Mounting Dimensions with Flanged Ports



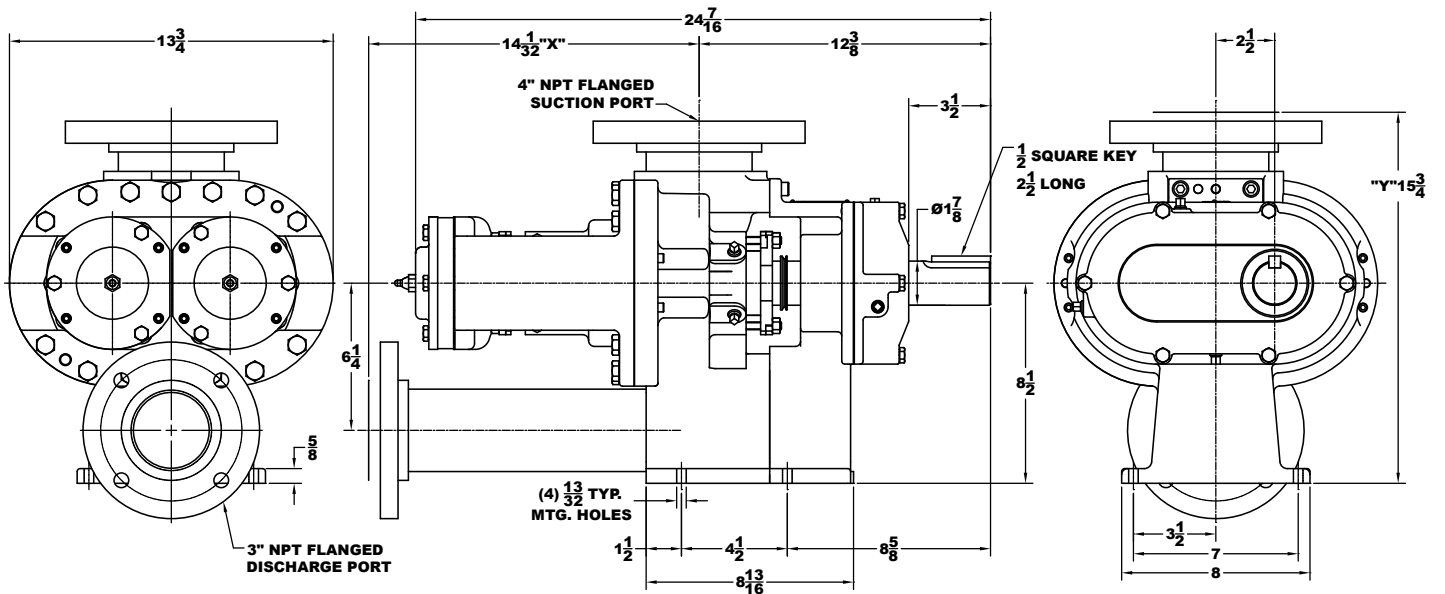
## Flanged Port Dimensions

Size	Iron Pump			Stainless Steel Pump		
	CS ANSI 150# F.F.	CS ANSI 150# R.F.	CS ANSI 300# R.F.	SS ANSI 150# F.F.	SS ANSI 150# R.F.	SS ANSI 300# R.F.
"X"	14 23/32" ± 1/2"	14 23/32" ± 1/2"	15 1/32" ± 1/2"	14 23/32" ± 1/2"	14 23/32" ± 1/2"	15 1/32" ± 1/2"
"Y"	15 5/32" ± 1/2"	15 5/32" ± 1/2"	15 21/32" ± 1/2"	15 5/32" ± 1/2"	15 5/32" ± 1/2"	15 21/32" ± 1/2"

## 120A Pump Mounting Dimensions



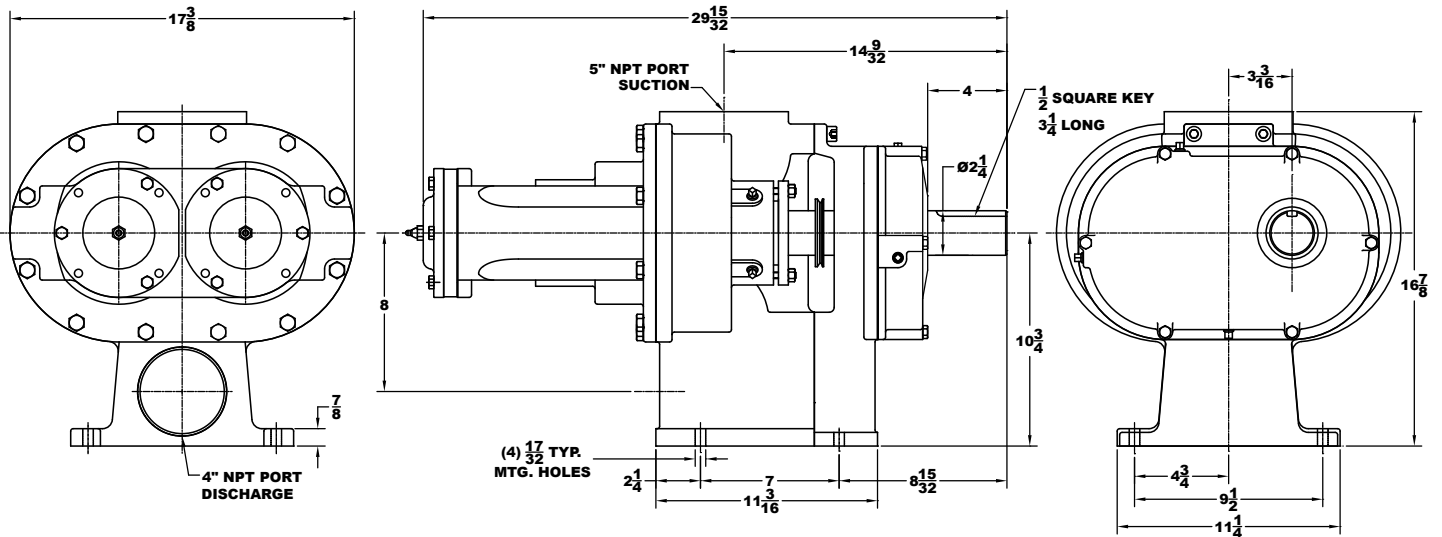
## 120A Pump Mounting Dimensions with Flanged Ports



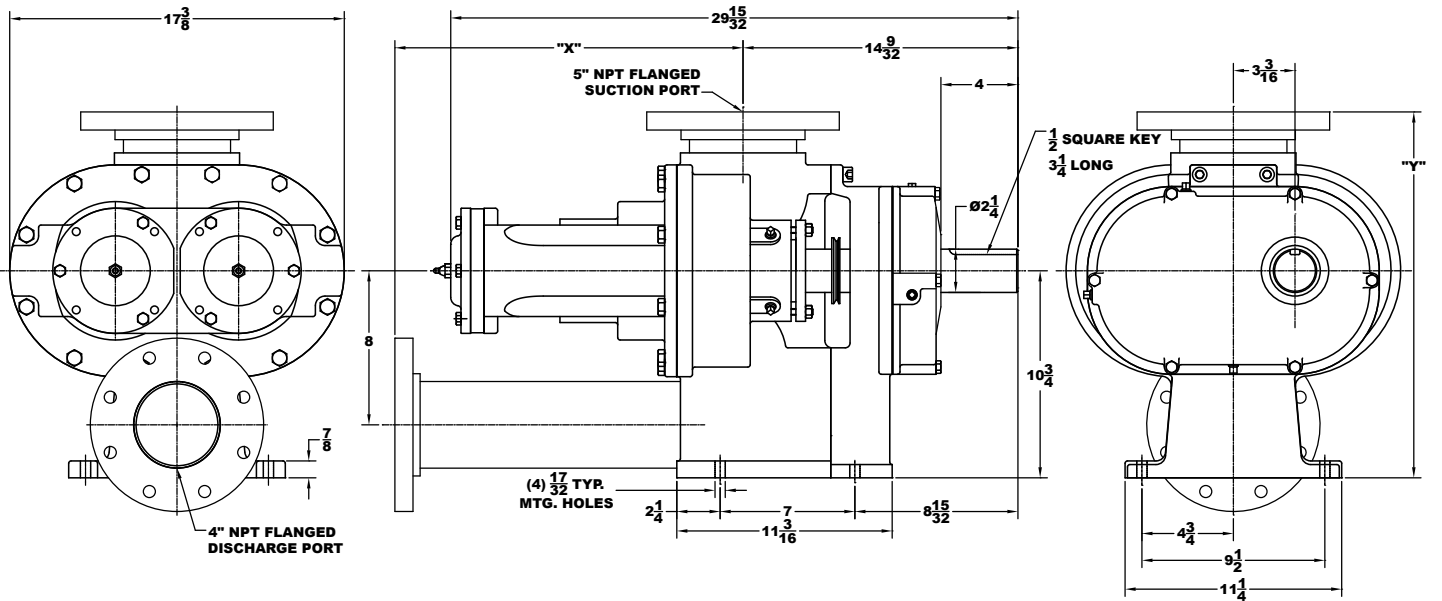
## Flanged Port Dimensions

Size	Iron Pump			Stainless Steel Pump		
	CS ANSI 150# F.F.	CS ANSI 150# R.F.	CS ANSI 300# R.F.	SS ANSI 150# F.F.	SS ANSI 150# R.F.	SS ANSI 300# R.F.
"X"	13 17/32" ± 1/2"	13 17/32" ± 1/2"	14 1/32" ± 1/2"	13 17/32" ± 1/2"	13 17/32" ± 1/2"	14 1/32" ± 1/2"
"Y"	15 3/8" ± 1/2"	15 3/8" ± 1/2"	15 3/4" ± 1/2"	15 3/8" ± 1/2"	15 3/8" ± 1/2"	15 3/4" ± 1/2"

## 330 Pump Mounting Dimensions



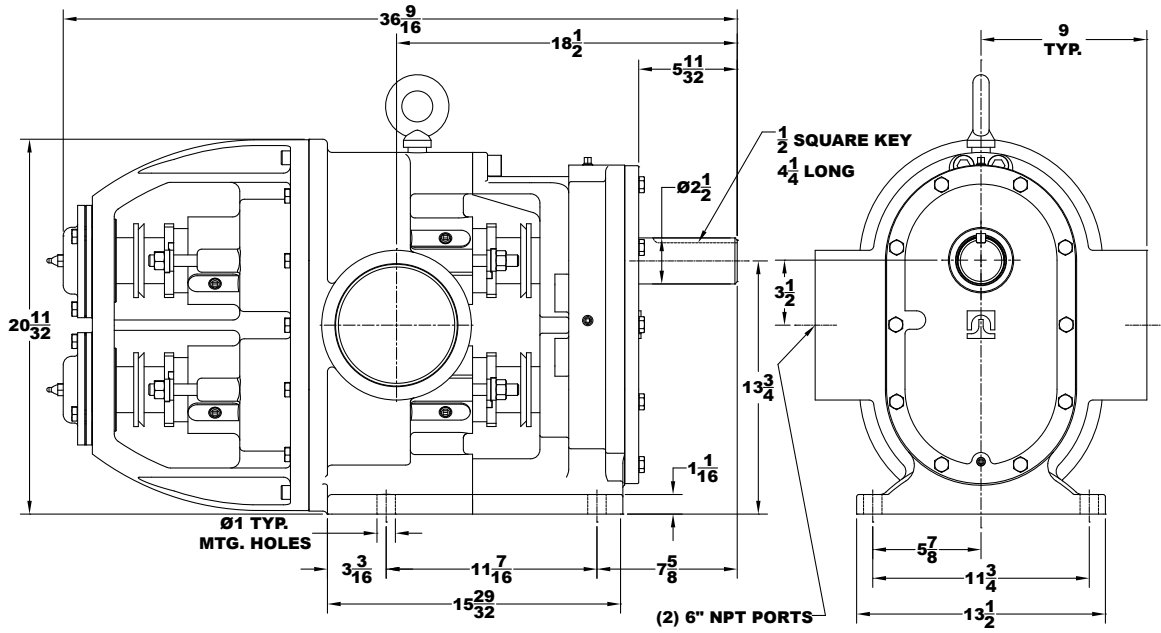
## 330 Pump Mounting Dimensions with Flanged Ports



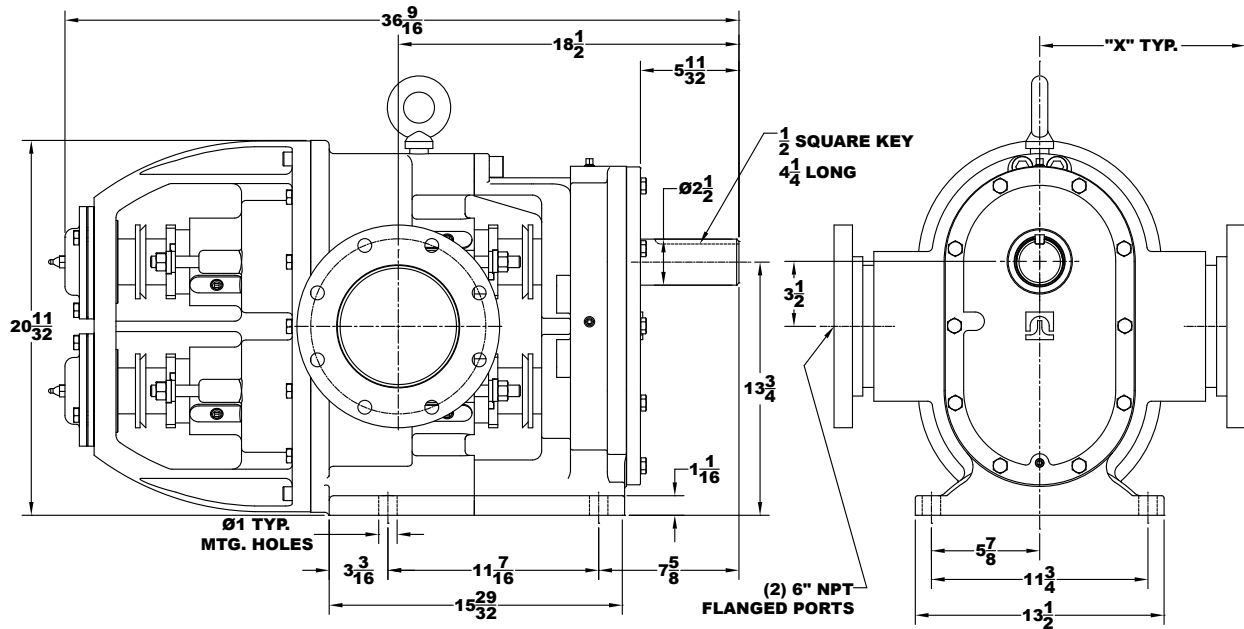
## Flanged Port Dimensions

Size	Iron Pump			Stainless Steel Pump		
	CS ANSI 150# F.F.	CS ANSI 150# R.F.	CS ANSI 300# R.F.	SS ANSI 150# F.F.	SS ANSI 150# R.F.	SS ANSI 300# R.F.
"X"	$18\frac{3}{32} \pm \frac{1}{2}$ "	$18\frac{3}{32} \pm \frac{1}{2}$ "	$18\frac{21}{32} \pm \frac{1}{2}$ "	$18\frac{3}{32} \pm \frac{1}{2}$ "	$18\frac{3}{32} \pm \frac{1}{2}$ "	$18\frac{21}{32} \pm \frac{1}{2}$ "
"Y"	$19 \pm \frac{1}{2}$ "	$19 \pm \frac{1}{2}$ "	$19\frac{9}{16} \pm \frac{1}{2}$ "	$19 \pm \frac{1}{2}$ "	$19 \pm \frac{1}{2}$ "	$19\frac{9}{16} \pm \frac{1}{2}$ "

## 600 Pump Mounting Dimensions



## 600 Pump Mounting Dimensions with Flanged Ports



## Flanged Port Dimensions

Size	Iron Pump			Stainless Steel Pump		
	CS ANSI 150# F.F.	CS ANSI 150# R.F.	CS ANSI 300# R.F.	SS ANSI 150# F.F.	SS ANSI 150# R.F.	SS ANSI 300# R.F.
"X"	11 5/32" ± 1/2"	11 5/32" ± 1/2"	11 21/32" ± 1/2"	11 5/32" ± 1/2"	11 5/32" ± 1/2"	11 21/32" ± 1/2"



## HD Process Pump Numbering System

	Pump		Model		Material of Construction		Port	Relief Valve	Options		Serial Number		Double Lobe
Position #	1	2	3	4	5	6	7	8	9	10	11	12	13

Position #	Description
1 & 2	-05 = Industrial Duty (ID)
3 & 4	-16 = Model 70A, -31 = Model 120A, -75 = Model 330, or -91 = Model 600
5 & 6	-04 = 316 Stainless Steel or -09 = Ductile Iron
7	-0 = Internal NPT (Std. on ID Models) or -3 = Flanged Port Option
8	-0 = No Relief Valve
9 & 10	-01 = Hot Clearance, -02 = Special Shaft Material, -05 = Special Packing, -06 = Special Packing Configuration, -08 = Mechanical Seals, -09 = Special Bushings, -10 = Special Clearances, -13 = Steam Jacket/Tracing, -19 = Special Ports (ie. Flanged), -21 = Tutriding, -26 = Interference Fit Gears, -27 = Special U-Cup/Lip Seals, or -28 = Miscellaneous
11 & 12	-01, -02, etc. = (Serialized at the Factory)
13	-D = Double Lobe (If Required)

## Temperature Limits of HD Process Pump Materials

550 °F													
525 °F		Hot Clearance Impellers	High Temp APG 250 Gearcase Oil	Viton Oil Seals - Faceplate & Gearcase	PTFE Oil Seals - Faceplate & Gearcase	PTFE-Glass Filled Gaskets	Gor-Tex Rope Gaskets	Standard Packing	Standard DU Bushings - Ductile Iron Pumps	Carbon Bushings - Ductile Iron Pumps	High Temp Carbon Bushings - Stainless Steel Pumps	WC Bushings	
500 °F													
450 °F													
400 °F													
350 °F			Standard Gearcase Oil	Standard Oil Seals - Faceplate & Gearcase	Standard Oil Seals - Faceplate & Gearcase	Standard Gasket Material	Gor-Tex Rope Gaskets	Standard Packing	Standard DU Bushings - Ductile Iron Pumps	Bronze Bushings - Ductile Iron Pumps	High Temp Carbon Bushings - Stainless Steel Pumps	WC Bushings	
300 °F													
150 °F	Standard Pump Materials												
100 °F													
-40 °F													

**Note:** Viton and PTFE oil seals can be used in place of standard oil seals upon request. PTFE and Gor-Tex gaskets can be used in place of standard seals upon request.

**WARNING**

If using a Mechanical Seal please consult factory for temperature limitations.

## HD Industrial Duty Pump Materials of Construction

Part Name	Material	Standard	Comments	Availability	
				DI	SS
Impeller Housing	Ductile Iron	ASTM A536, grade 80-55-06	187-255 Brinell Hardness	S	
	Stainless Steel	ASTM A743, grade CF-8M	155-185 Brinell Hardness		S
	Tutrided Ductile Iron	ASTM A536, grade 80-55-06	Surface Hardened	O	
Faceplate	Ductile Iron	ASTM A536, grade 80-55-06	187-255 Brinell Hardness	S	
	Stainless Steel	ASTM A743, grade CF-8M	155-185 Brinell Hardness		S
	Tutrided Ductile Iron	ASTM A536, grade 80-55-06	Surface Hardened	O	
Gearcase	Cast Iron	ASTM A48		S	S
Gearcas Cover	Cast Iron	ASTM A48		S	S
Impellers	Ductile Iron	ASTM A536, grade 80-55-06		S	
	Stainless Steel	ASTM A743, grade CF-8M	155-185 Brinell Hardness		S
	Tutrided Ductile Iron	ASTM A536, grade 80-55-06	Surface Hardened	O	
Drive & Driven Shafts	High Strength Steel	ASTM A564, grade 630	Armco 17-4PH	S	S
	C.O. Coated High Strength Steel	ASTM A564, grade 630	Armco 17-4PH Chrome Oxide Coated	O	O
Housing Bushing	Carbon	Carbon Graphite Resin			S
	DU Bushing	Steel Backed / PTFE Coated		S	
Gearcase Ball Bearing	Steel			S	S
Faceplate Ball Bearing	Steel			S	S
Steam Jacket	Aluminum			O	O

<b>DI = Ductile Iron Pumps</b>	<b>SS = Stainless Steel Pumps</b>	<b>S = Standard</b>	<b>O = Optional</b>
--------------------------------	-----------------------------------	---------------------	---------------------



## HD Seal Specifications

### Packing

Packing Description	Packing Style	Material Description
Standard Packing (Graphite/PTFE)	ML4002 or ML8002	Braided PTFE with graphite impregnation
Pure PTFE Packing	ML2236FDA	Braided pure PTFE (FDA approved)
	ML2235	Braided pure PTFE (Not FDA approved)
Optional Lantern Ring (Style 2, 3 & 4 Packing)		PTFE
		303 Stainless Steel
Throttle Bushing (Style 4 Packing)		PTFE
		303 Stainless Steel

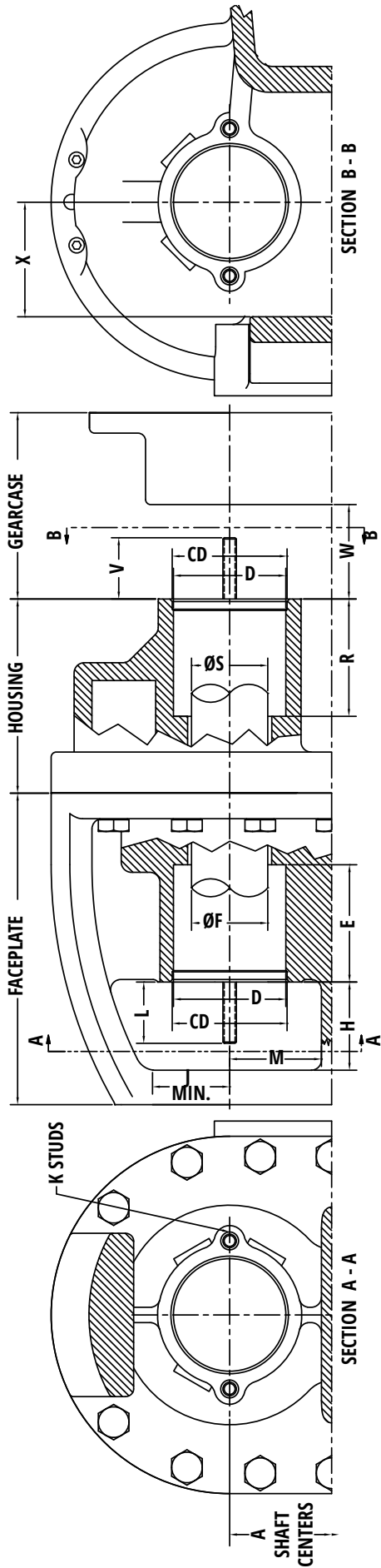
### Mechanical Seal

Seal Description	Seal Type	Material of Construction			
		Secondary Seal	Rotating Face	Stationary Face	Hardware
Single Abrasion Resistant Mechanical Seal	82	Viton	Tungsten Carbide	Silicon Carbide	316 S.S
Single Abrasion Resistant Mechanical Seal	82	Chemraz	Tungsten Carbide	Silicon Carbide	316 S.S.

### Cartridge Seal

Seal Description	Seal Type	Material of Construction				
		Secondary Seal	Sleeves	Lips	Gasket	Hardware
Triple Lip Cartridge Seal	42	Chemraz	Zirconium	PTFE	Gylon	316 S.S.

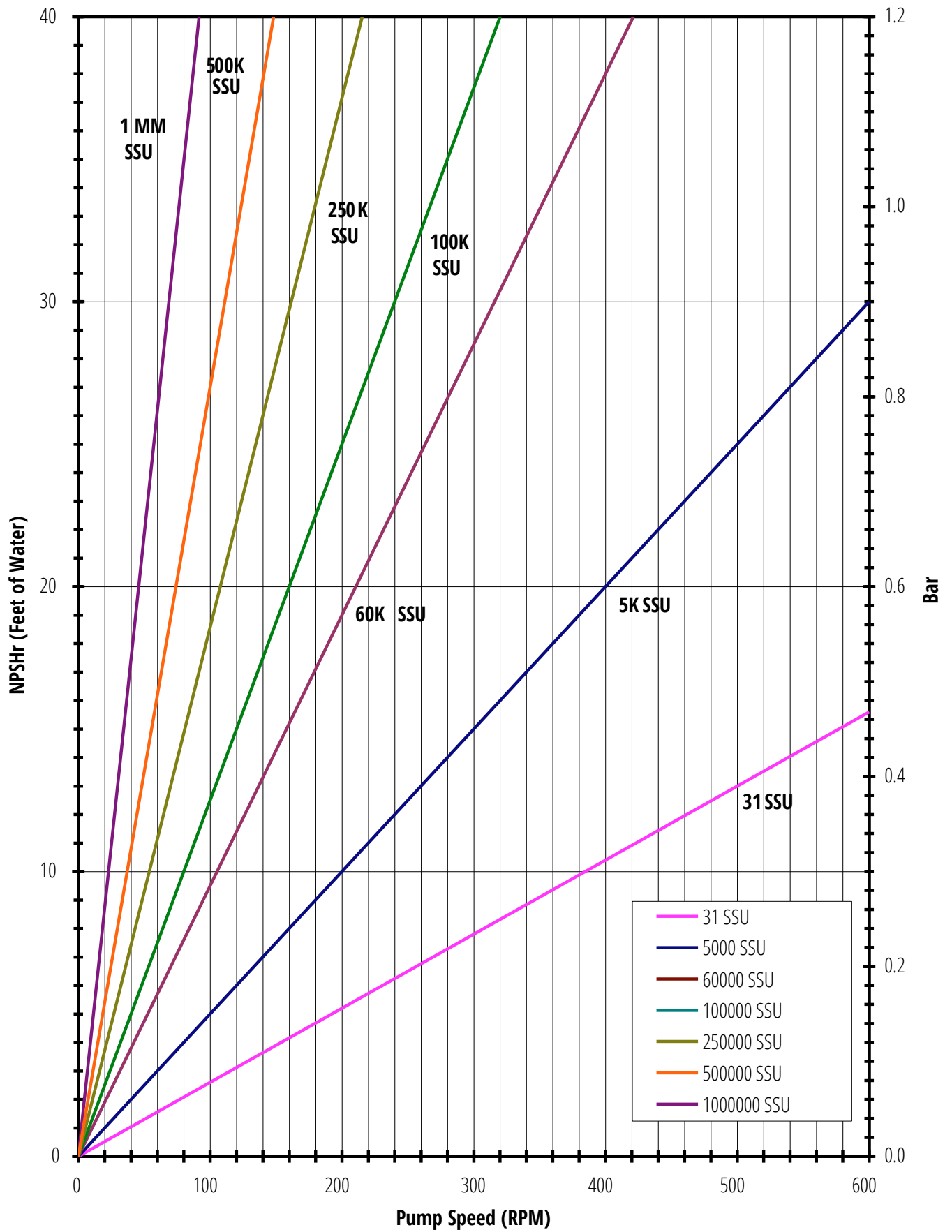
**Note:** Tuthill can supply a variety of seals with different material combinations to suit specific application requirements. The above list displays the most common/standard seal combinations used. Viton® - Registered trademark of E.I. DuPont De Nemours & Company  
Gylon® - Registered trademark of Garlock, Inc.



MODEL	"A"	"B"	"D"	"E"	"F"	"CD"	"H"		"J"		"L"		"M"		"K STUDS" SIZE	"R"	"S"	"V"		"W"	"X" MIN.
							S.S.	D.I.	S.S.	D.I.	S.S.	D.I.	S.S.	D.I.				S.S.	D.I.		
30A	2.5005	3	1.504	1 5/8	.9985	1.567	2	13/16	13/16	17/16	17/16	17/16	NO CENTER RIB	8	15/8	1.000	17/16	17/16	3/16	2 3/16	1 31/32
	2.4995		1.498		.9980	1.560										.9995					
2A	4.0005	3 1/2	1.878	2 1/8	1.374	2.067	2 1/16	1 1/2	1 1/2	1 1/2	1 1/2	1 1/2	1 25/32	8	2 1/8	1.3750	1 1/2	1 1/2	3/8 - 16	2 5/8	2 9/16
	3.9995		1.873		1.373	2.060	2 1/16	1 1/2	1 1/2	1 1/2	1 1/2	1 1/2	1 32/32			1.3745					
3A	4.0005	3 1/2	1.878	2 1/8	1.374	2.067	2 1/16	1 1/2	1 1/2	1 1/2	1 1/2	1 1/2	1 25/32	8	2 1/8	1.3750	1 1/2	1 1/2	3/8 - 16	2 5/8	2 9/16
	3.9995		1.873		1.373	2.060	2 1/16	1 1/2	1 1/2	1 1/2	1 1/2	1 1/2	1 32/32			1.3745					
70A	5.0005	3 5/8	2.758	2 7/8	1.869	NONE	2 3/8	2 3/16	2 3/16	2 3/16	2 3/16	2 1/4	2 15/64	8	2 7/8	1.8745	1 1/2	1 1/2	3/8 - 16	2 5/16	3
	4.9995		2.752		1.868	NONE	2 3/8	2 3/16	2 3/16	2 3/16	2 3/16	2 1/4	2 64/64			1.8740					
120A	5.0005	3 5/8	2.758	2 7/8	1.869	NONE	2 3/8	2 3/16	2 3/16	2 3/16	2 3/16	2 1/4	2 15/64	8	2 7/8	1.8745	1 1/2	1 1/2	3/8 - 16	2 5/16	3
	4.9995		2.752		1.868	NONE	2 3/8	2 3/16	2 3/16	2 3/16	2 3/16	2 1/4	2 64/64			1.8740					
330	6.4005	4 1/4	3.255	3 5/16	2.244	NONE	3 1/8	2 1/2	2 1/2	2 1/2	2	2	2 15/64	8	3 5/16	2.2488	2	2	1 - 13	3 1/16	3 5/8
	6.3995		3.250		2.243	NONE	3 1/8	2 1/2	2 1/2	2 1/2	2	2	2 64/64			2.2480					
600	7.0005	6 3/4	3.510	3 1/4	2.494	NONE	4 1/16	2 3/4	2 3/4	2 3/4	2 3/8	2 1/2	3 1/4	8	3 1/4	2.4988	2	2	5 - 11	3 3/4	3 1/8
	6.9995		3.505		2.493	NONE	4 1/16	2 3/4	2 3/4	2 3/4	2 3/8	2 1/2	3 3/4			2.4980					

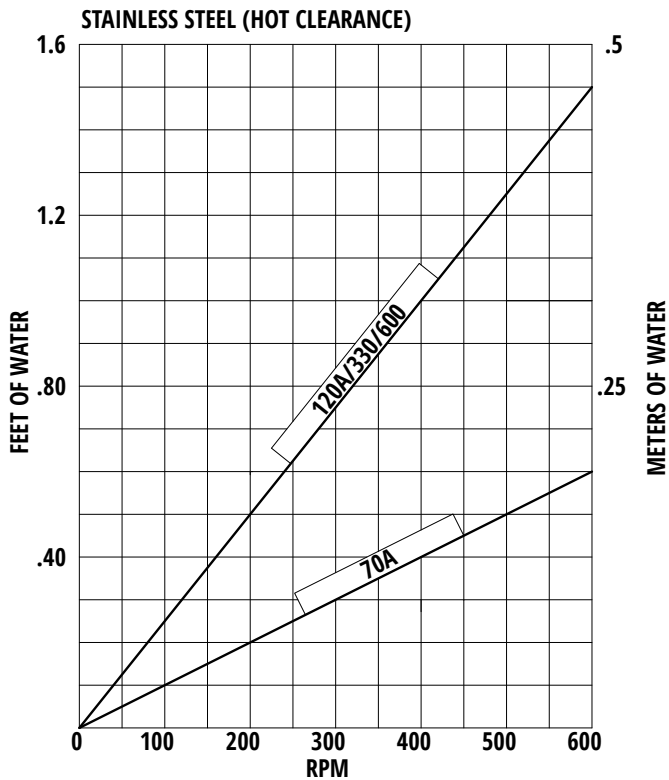
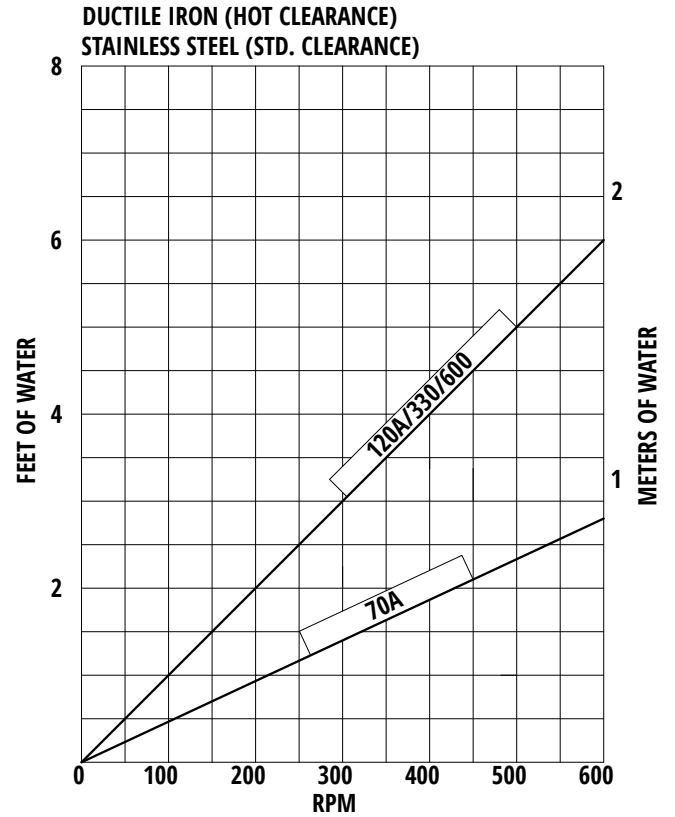
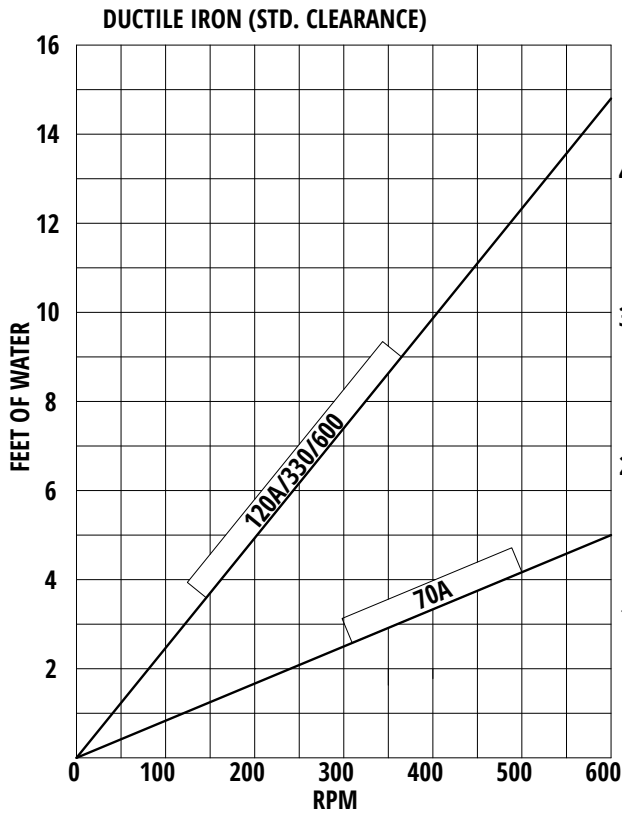
D = STUFFING BOX BORE  
 E = STUFFING BOX BORE DEPTH FACE PLATE  
 F = FACEPLATE SHAFT DIAMETER  
 H = LENGTH TO OBSTRUCTION FACEPLATE SIDE  
 J = LENGTH TO OBSTRUCTION  
 L = STUD LENGTH FACEPLATE  
 M = LENGTH TO OBSTRUCTION  
 K = STUD INFORMATION  
 R = STUFFING BOX DEPTH HOUSING  
 S = SHAFT DIAMETER HOUSING  
 V = STUD LENGTH  
 W = LENGTH TO NEAREST OBSTRUCTION

# HD NPSHr Data

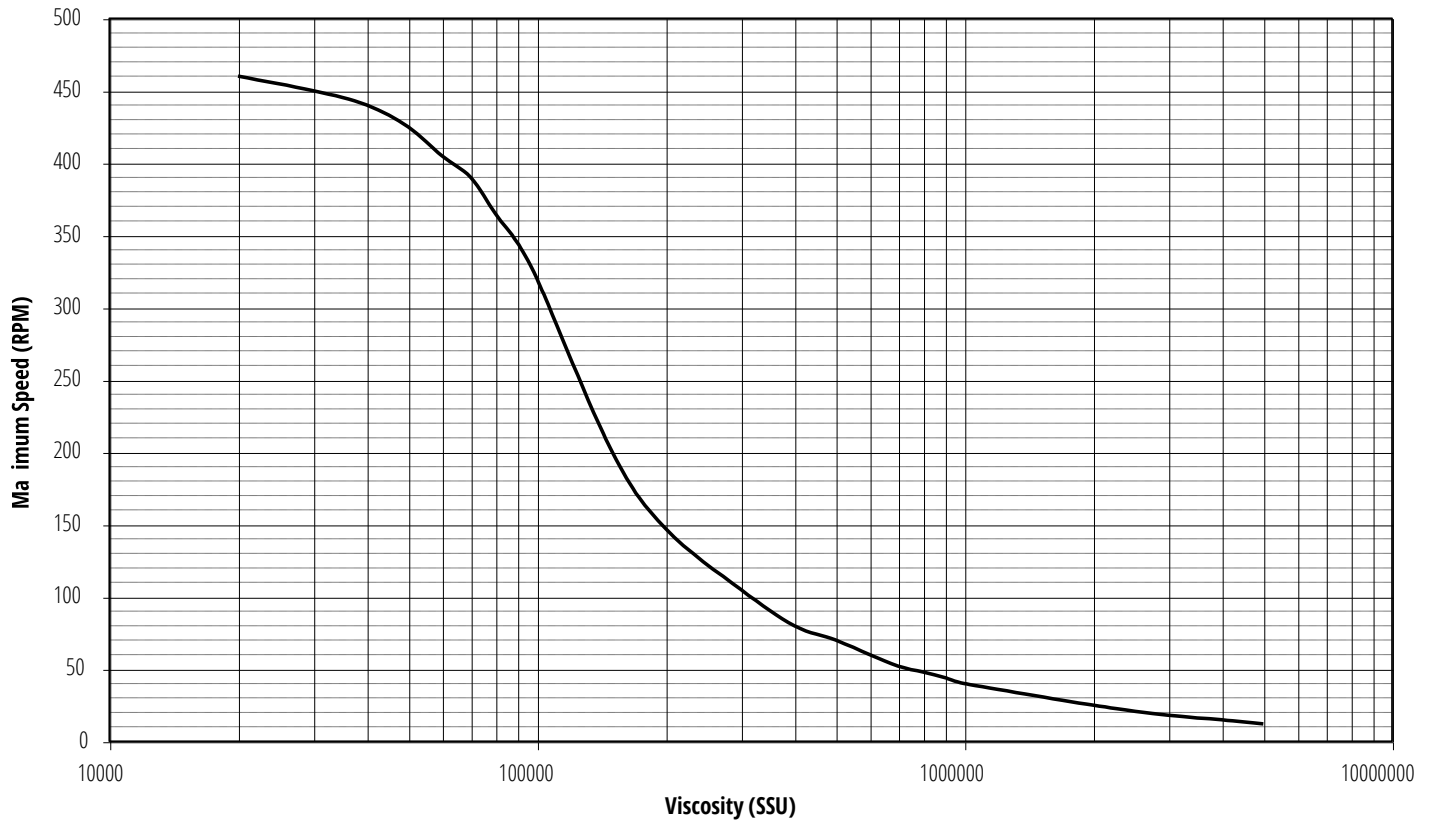


## Priming Ability of HD Series Pumps

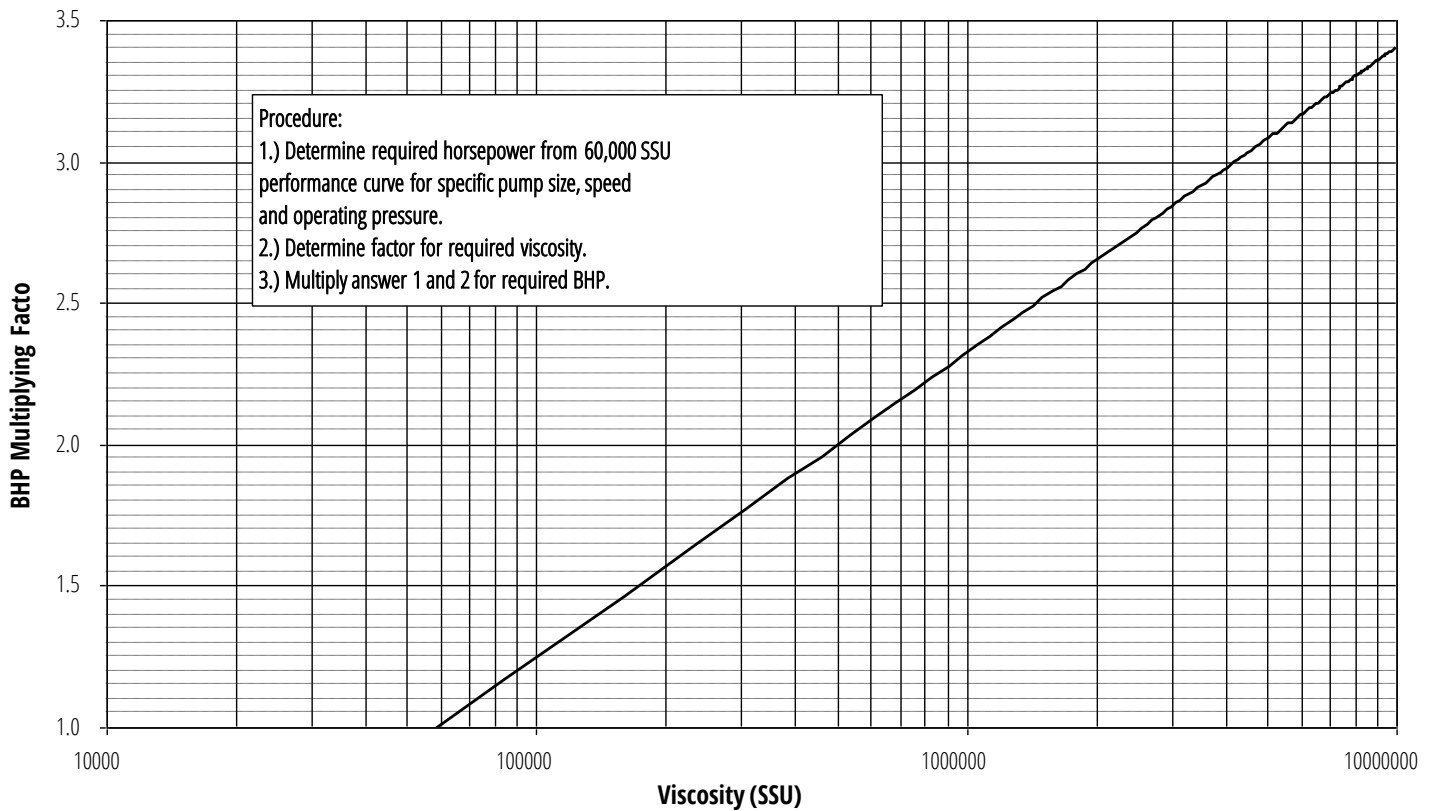
Performance curves indicating priming ability of pumps based on test data obtained on new pumps. Priming ability of older pumps, because of larger clearances, will not be as good.



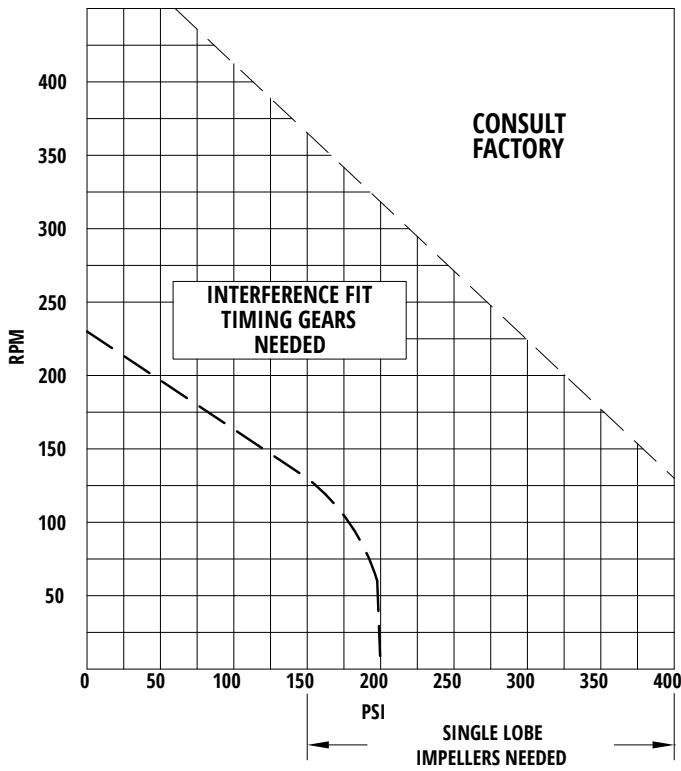
## Maximum Speed Vs. Viscosity



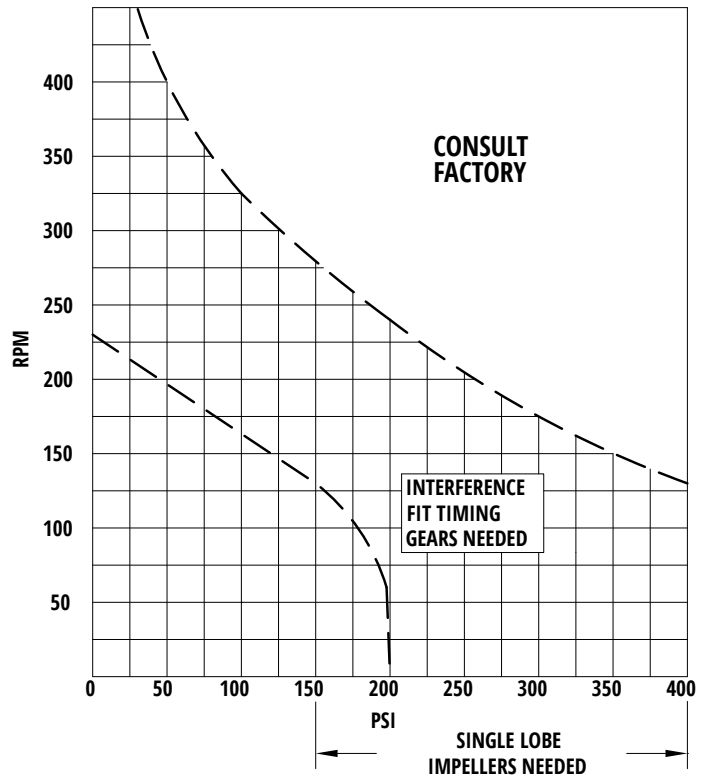
## Horsepower Multiplying Factor Vs. Viscosity



### Model 70A Impeller and Timing Gear Chart

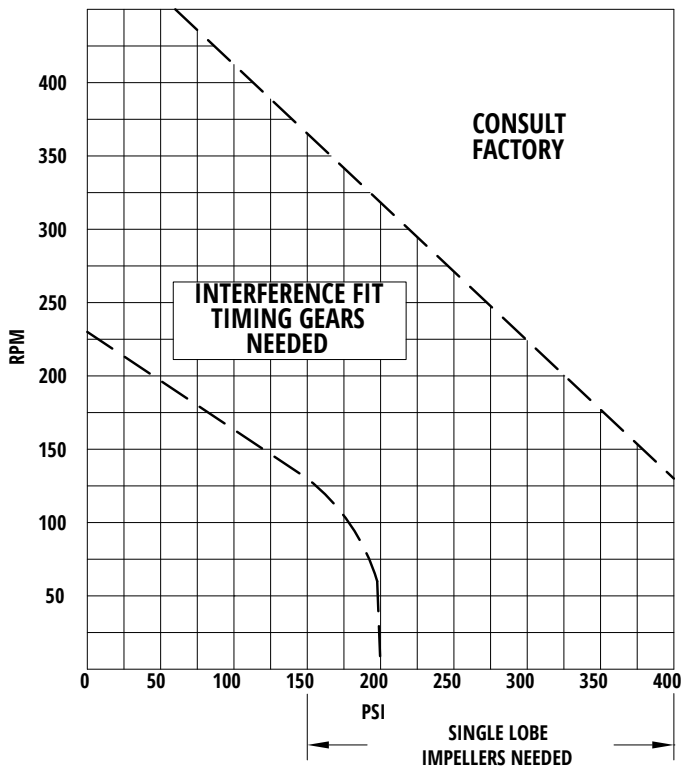


### Model 330 Impeller and Timing Gear Chart

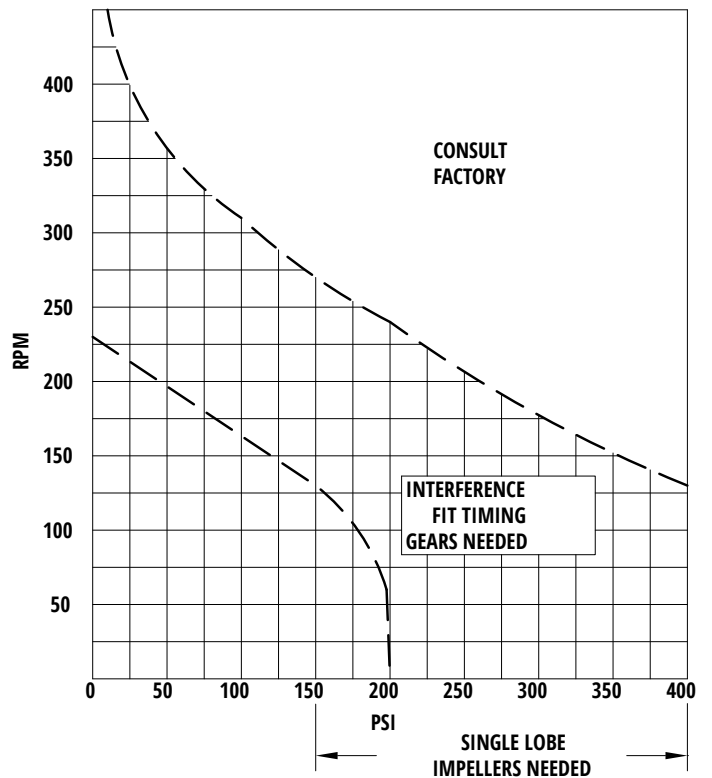


**Note:** Single or double lobe impellers are satisfactory for full range shown.

### Model 120A Impeller and Timing Gear Chart



### Model 600 Impeller and Timing Gear Chart



## Abrasives & Slurries

The Tuthill process pump is ideally suited for slurries, since it is capable of handling a wide range of apparent viscosities and solid particle sizes. When sizing a process pump, you must determine the viscosity of the carrier fluid, particle size, and particle hardness.

The thicker the carrier fluid, the less recirculation of product through the fluid chamber clearances (slip), thus there is less erosive wear from any abrasive particle. If the carrier fluid is water thin, the abrasive particles are allowed to re-circulate in the clearances, resulting in a short wear life.

Particle size and hardness both affect the wear life of a process pump. Each process pump model has different clearance dimensions. If the particle is harder than the pump material construction and larger than the clearance dimension, the pump will generally have initial wear equal to that of the particle size and level off to a slower, constant wear rate. If the particle size is smaller than the pump clearances, the wear is less of a problem. A particle is therefore defined as abrasive if it is equal to or harder than the pump construction and larger than the factory set clearances in a new pump.

Knowing that the process pump has been successfully applied on abrasive slurries, we generally do not recommend pump speeds on inorganic slurries to be any greater than 190 RPM. Try to maintain slowest possible speeds for any abrasive slurry. Wear life is relative; the Tuthill process pump will always do better than gear or vane pump at identical operating speeds.

<b>The following are <u>MAXIMUM</u> recommended pump speeds for existing applications</b>	
Waste solvents, oil, paints, etc	230 RPM
Municipal sludge/scum	190 RPM
Animal rendering	100 RPM
Asphalt with filler	100 RPM
Magnetic oxide slurries	150 RPM
Grain slurries (mash)	150 RPM
Clay coatings slurries	280 RPM
Clay slip & ceramic slurries	50 RPM
Coal oil surface	190 RPM

## Spherical Particle Size Data

The chart below shows the theoretical maximum, and recommended maximum particle size that a pump will pass. This is strictly a function of geometry. Pumps will last longer if abrasive particles are smaller than internal pump clearances and softer than the internal pump parts. On slurries with maximum diameter particles, 100-RPM maximum speed is recommended to minimize crushing. Particles must be able to be sheared by pump impellers or the pump will stall.

<b>Pump Model</b>	<b>Theoretical Maximum Diameter (inches)</b>	<b>Recommended Maximum Diameter (inches)</b>
70A	1.250	.750
120A	1.500	.875
330	2.250	1.000
600	3.000	1.250

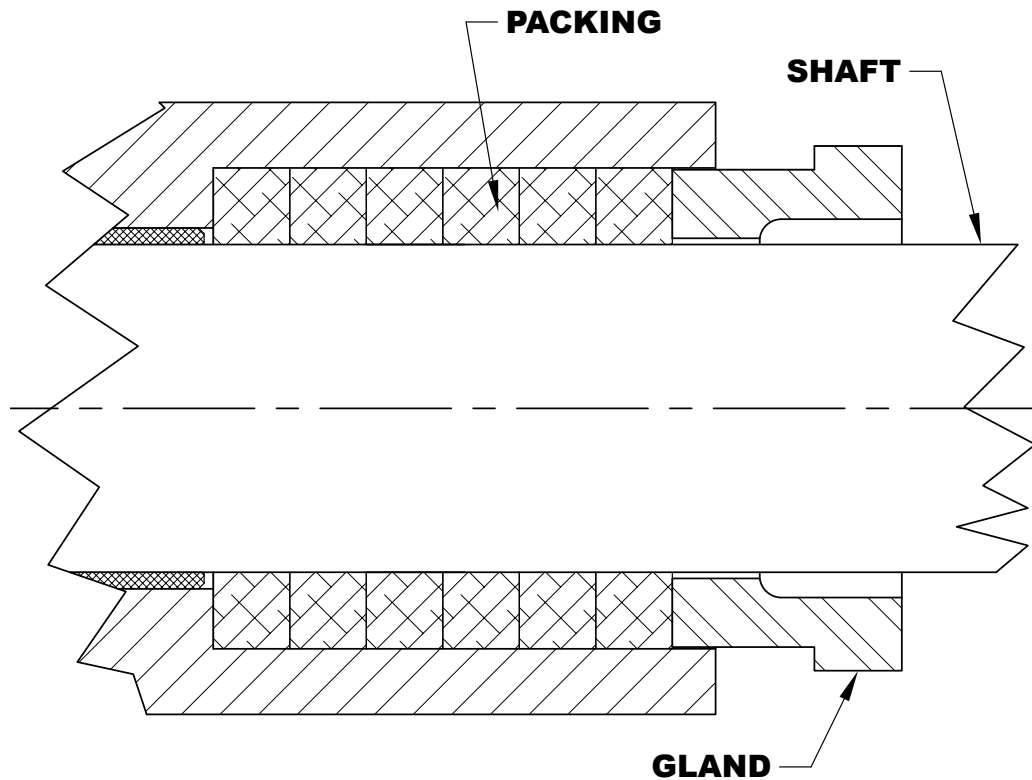


## Particle Size Reference

Mesh	Micron	Inches
400	37	.0015
200	74	.0029
100	149	.0059
50	297	.0117
20	841	.0331
10	2000	.0787
3	6730	.2650

## Packing Style Arrangements

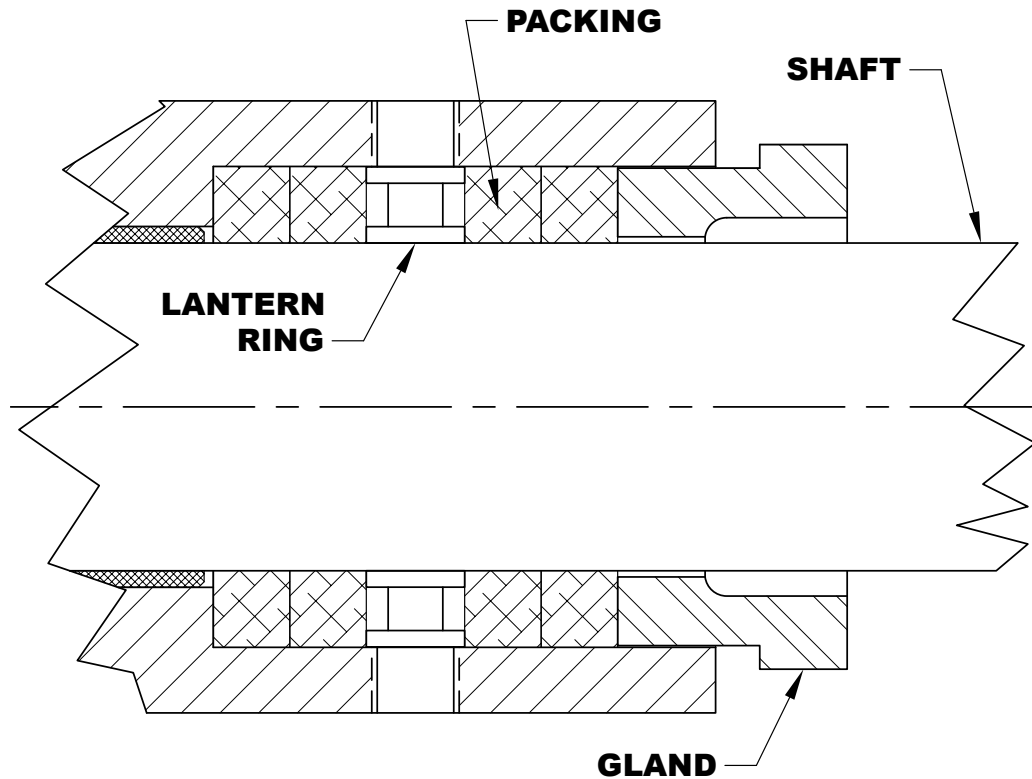
### Style #1



#### Available Options:

- Packing: Pure PTFE, Graphite, other special materials available on request
- Shaft: Steel, Armco 17-4PH, 316 S.S. (all have ceramic coating option)
- Style #1 packing is the standard for all HD models

## Style #2 (Lantern Ring)



### Recommended Usage:

- Grease lubrication improves sealing and packing life
- Vent to suction side of pump to reduce pressure on outboard packing
- Flush with clean fluid at 15-20 PSI above pump discharge pressure
- Some product dilution will occur so compatible fluid must be used

This design is the same as Style #1 except lantern ring and "in" and "out" flush connections are provided in the approximate location shown. A minimum of two rings of packing will be installed inboard to throttle flow. Standard lantern ring material is glass filled PTFE. Rings may be made in other materials as required. All available options from Style #1 apply.

## HD Maximum Overhung Load Calculation

Ductile Iron Model	Max. Overhung Load – "F" (lbs.)	Maximum Horsepower with 12" diameter sheave Pump RPM			
		100	200	300	400
70A & 120A	450	4.3	8.6	12.9	17.2
330	600	5.7	11.4	17.1	22.8
600	900	8.6	17.2	25.8	34.4

Use following formula for other speed and sheave diameters

$$HP = \frac{("F" - \text{lbs.}) (\text{Sheave dia.} - \text{inches}) (\text{RPM})}{126,048}$$

**Note:** Stainless Steel will be 67% of above.

## HD Maximum Allowable Transmitted Torque on Pump Shafts (Inch-Pounds)

Pump Shaft	Carbon Steel 1141 (Std. On D.I.)	ARMCO 17-4-1025	316 S.S. (Std. On S.S.)	Hast "C"
70A & 120A	12,534	19,497	6,267	10,213
330	21,658	33,691	10,829	17,647
600	29,710	46,215	14,855	24,208

\*Transmitted torque is the torque associated with the brake horsepower of a given application, at design speed.

To calculate torque values in inch pounds determine BHP for the actual application from published performance curves, at design speed (RPM).

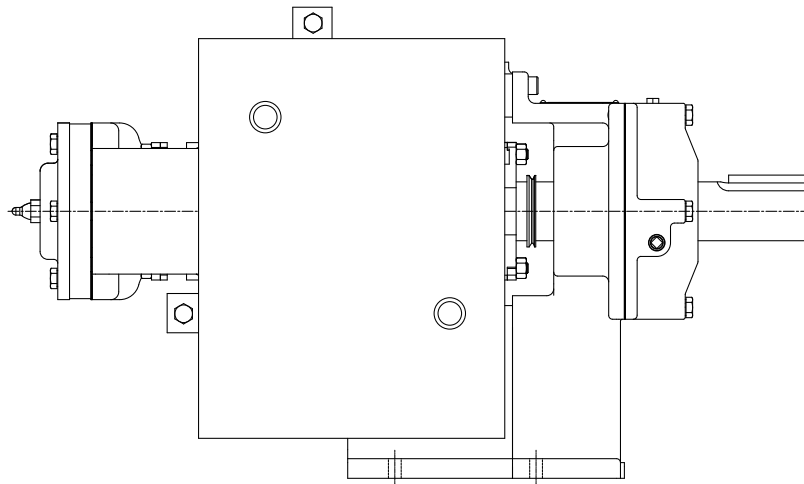
$$\text{Torque (in-lbs.)} = \frac{(\text{BHP})(63,000)}{\text{RPM}}$$

**Note:** Applications using 31 SSU performance curves at pressures at or above 200 PSI must be approved by the factory.

## HD Nozzle Loading Data

Pump Model	Port Size (In.)	Max. Force = Lbs.	Max. Moment = Lb.In.
120A	3	200	2750
120A & 330	4	250	3150
330	5	300	3600
600	6	500	4100

## HD Model Steam Jacket



### Construction

The jacket has a fabricated carbon steel plate type insert with an aluminum cast outer shell. Jacket is made in two-piece construction for field installation and/or pump maintenance access. Each half has ½" NPT (internal) in and out ports.

Rating:

- Steam or heat transfer fluids
- 150-PSI maximum pressure
- 500°F maximum temperature

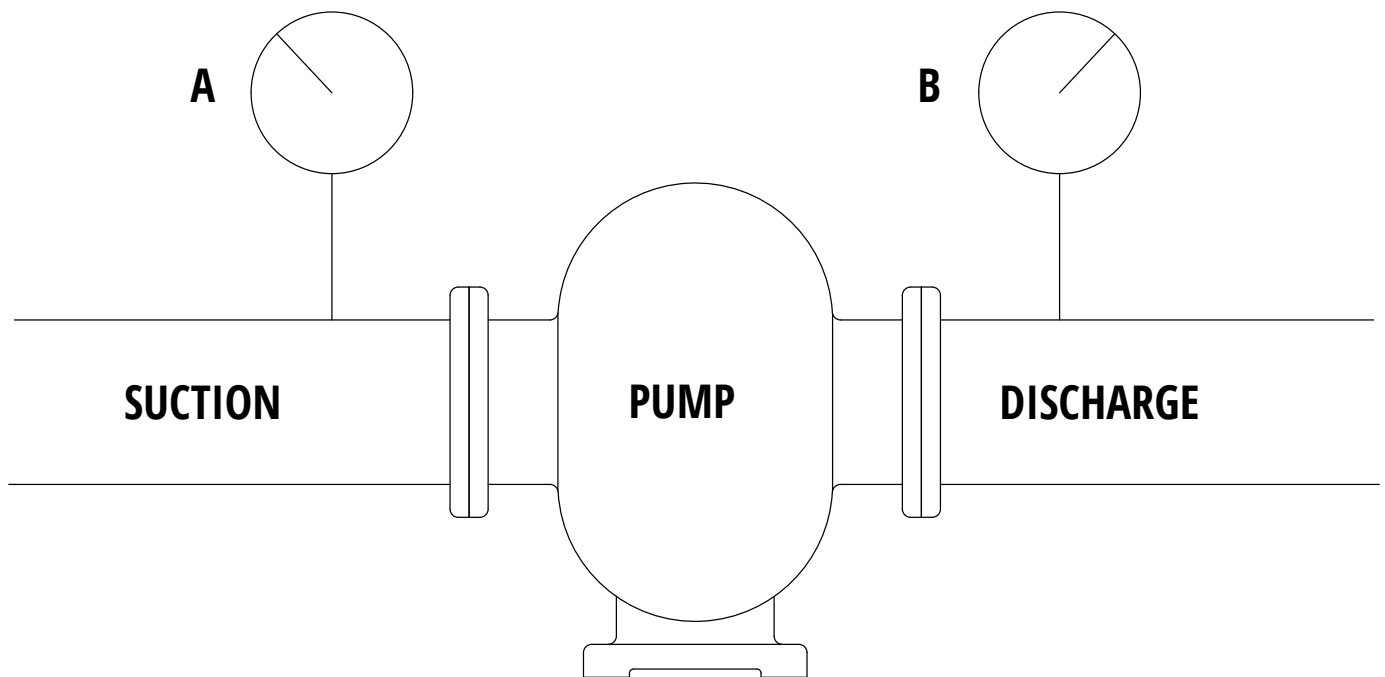
## Application

Factory or field installed. Standard grade Thermon or other heat transfer cement is applied between pump and jacket for best efficiency. Applications where pumped fluid must be maintained at temperature in order to remain in liquid form so the pump can pump the fluid are ideal for a steam jacket.

## General Ph Chart

<b>Increasing Alkalinity</b>	14.0 Ph	<b>Ductile Iron</b>
	13.0 Ph	
	12.0 Ph	
	11.0 Ph	
	10.0 Ph	
	9.0 Ph	
	8.0 Ph	
<b>Neutral Point</b>	7.0 Ph	
<b>Increasing Acidity</b>	6.0 Ph	<b>Stainless Steel</b>
	5.0 Ph	
	4.0 Ph	
	3.0 Ph	
	2.0 Ph	
	1.0 Ph	
	0.0 Ph	

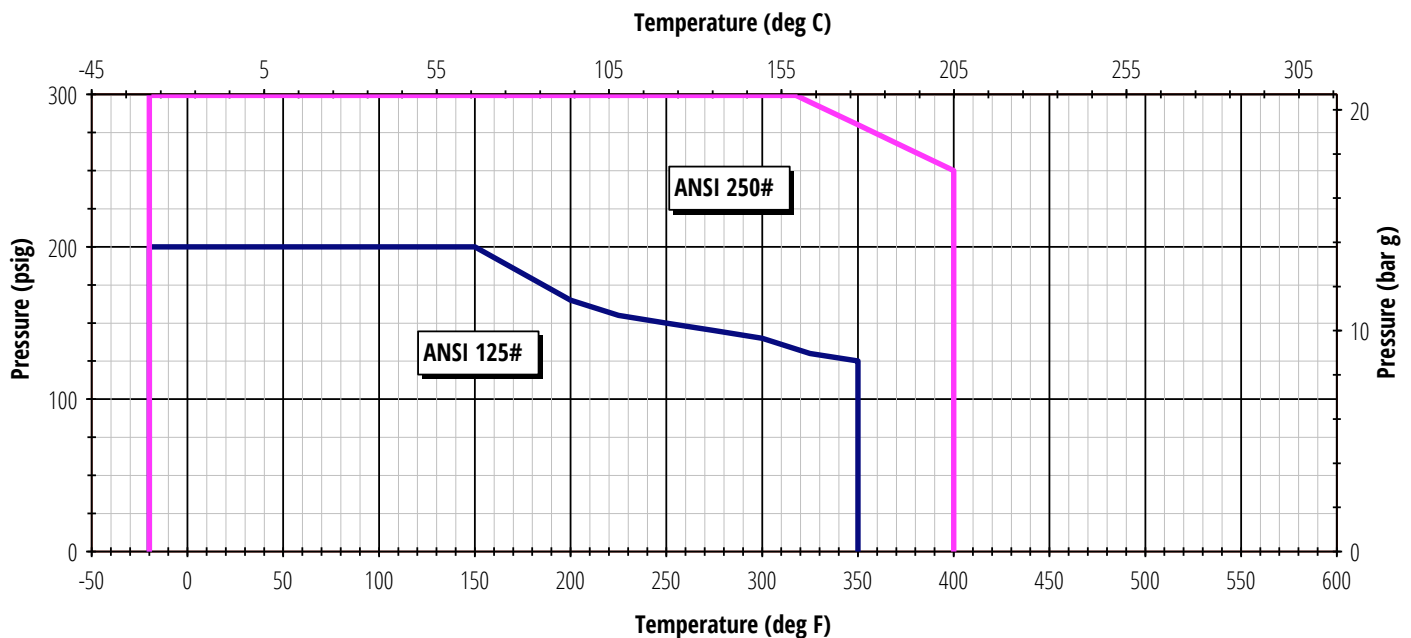
## HD Maximum Case, Differential, Discharge, and Suction Pressures



Pump Model	Pump Material of Construction	Max. Case Pressure	Max. Differential Pressure	Max. Discharge Pressure	Max. Suction Pressure
70A	Ductile Iron	500	450	500	350
	Stainless Steel	500	450	500	350
120A	Ductile Iron	500	450	500	350
	Stainless Steel	500	450	500	350
330	Ductile Iron	500	450	500	350
	Stainless Steel	500	450	500	350
600	Ductile Iron	500	450	500	350
	Stainless Steel	500	450	500	350

\* Max. Case Pressure for Standard Duty models with wing nuts is 150 PSI for Stainless Steel and 200 PSI for Ductile Iron. 500 PSI rating can be achieved by replacing wing nuts with standard hex head nuts torqued to industry standards.

## Flange Ratings (Cast Iron)



This chart shows the ratings for flanges only - the maximum pump operating conditions must also be checked.

Consult the appropriate Tuthill catalog for maximum allowable operating pressures and temperatures, based on pump application conditions and pump features.

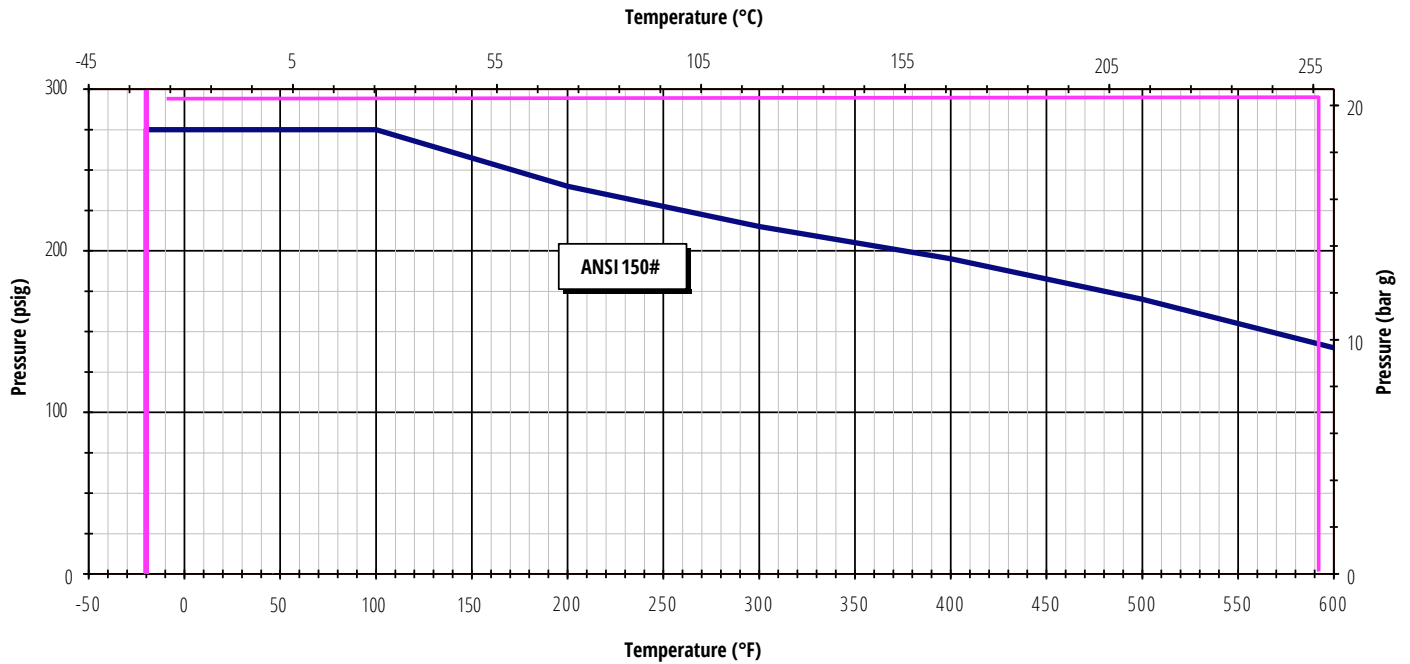
These ratings are based on non-shock pressures.

ANSI data is from ASME/ANSI B16.1 - 1989 (class A). Consult this spec for more information.

### WARNING

Rapid temperature change can result in flange failure and leakage, which can cause property damage or serious injury. Do not exceed cast iron tensile strength when bolting flanges.

## Flange Ratings (Stainless Steel)



This chart shows the ratings for flanges only - the maximum pump operating conditions must also be checked.

Consult the appropriate Tuthill catalog for maximum allowable operating pressures and temperatures, based on pump application conditions and pump features.

These ratings are based on non-shock pressures.

ANSI data is from ASME/ANSI B16.5 - 1988 (matl group 2.2). Consult this spec for more information.

### WARNING

Rapid temperature change can result in flange failure and leakage, which can cause property damage or serious injury. Do not exceed cast iron tensile strength when bolting flanges.