



RD 125-31 6P

1150 [rpm]

1 Stage

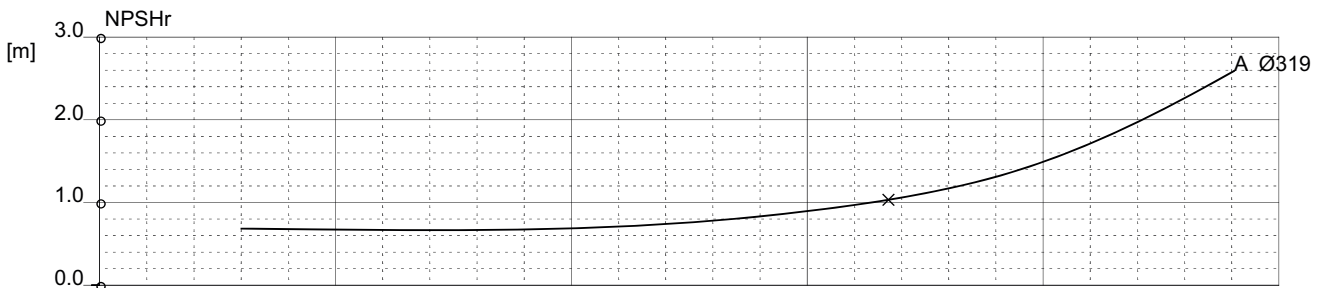
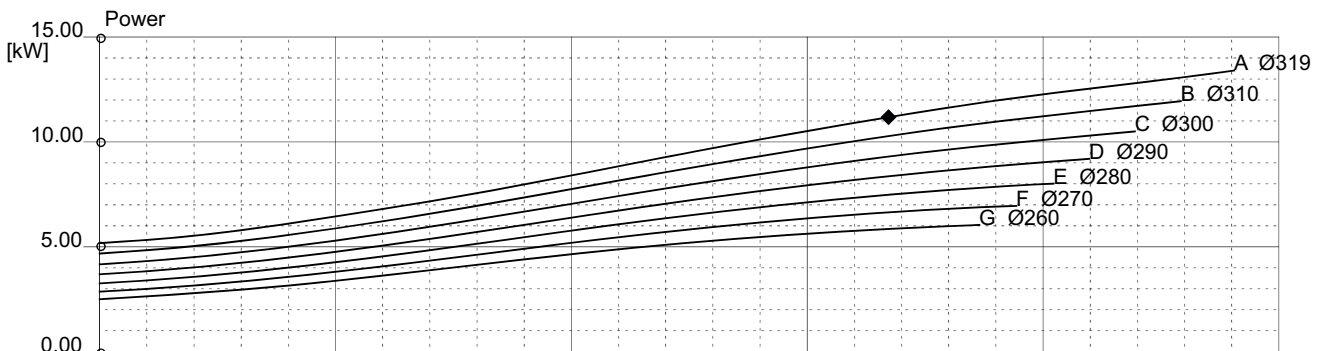
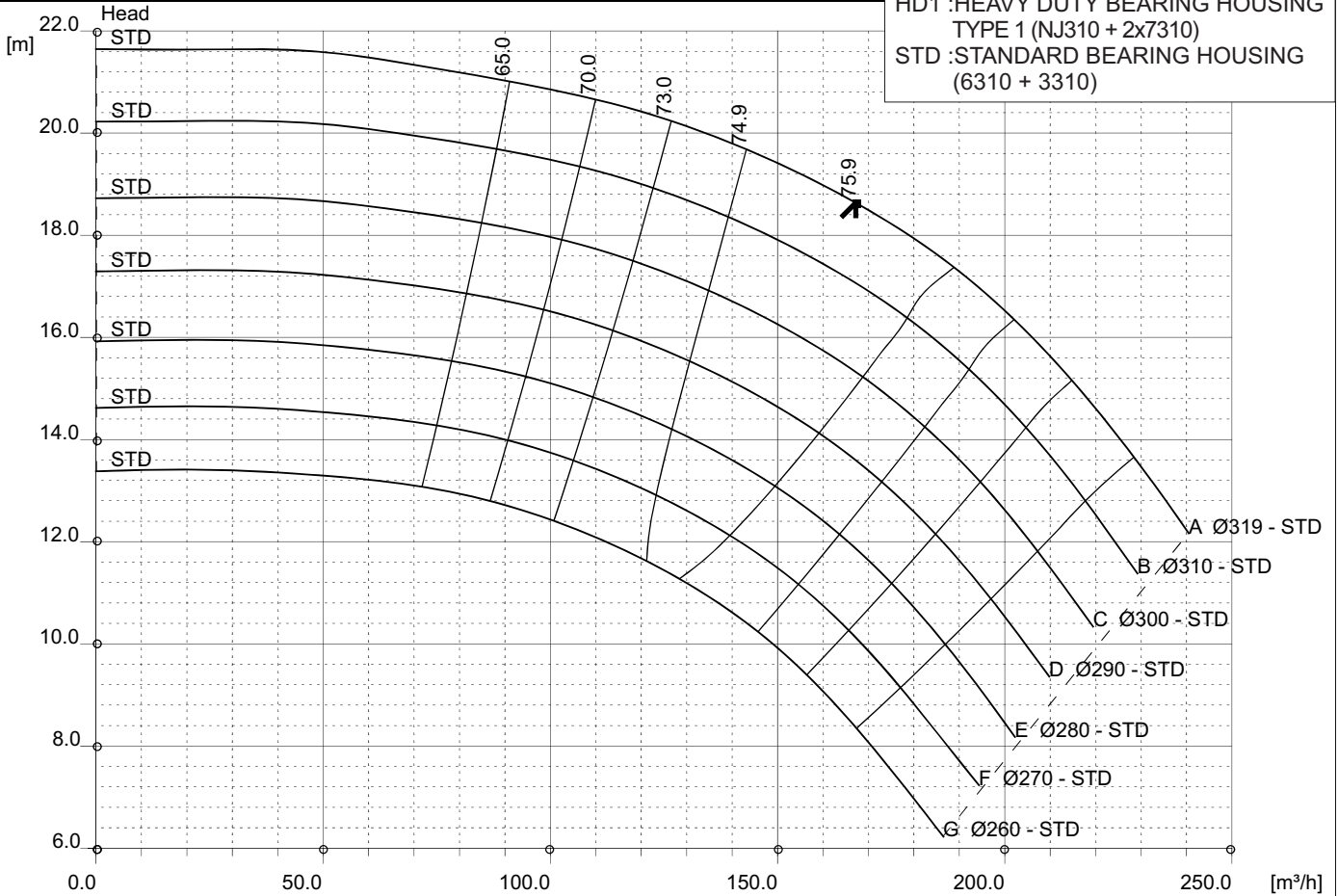
Curve N.

T-1968

Max. diameter 319 [mm]	Min. diameter 260 [mm]	Maxspeed 1999 [rpm]	Suction Ø 150 [mm]	Discharge Ø 125 [mm]
----------------------------------	----------------------------------	-------------------------------	------------------------------	--------------------------------

Density 1 and viscosity 1 cSt Replace any previous edition

HD1 : HEAVY DUTY BEARING HOUSING
TYPE 1 (NJ310 + 2x7310)
STD : STANDARD BEARING HOUSING
(6310 + 3310)



Comments						
Diffuser	Impeller	NS 28	SSS 242	Author	Date Jan14,2011	Revision