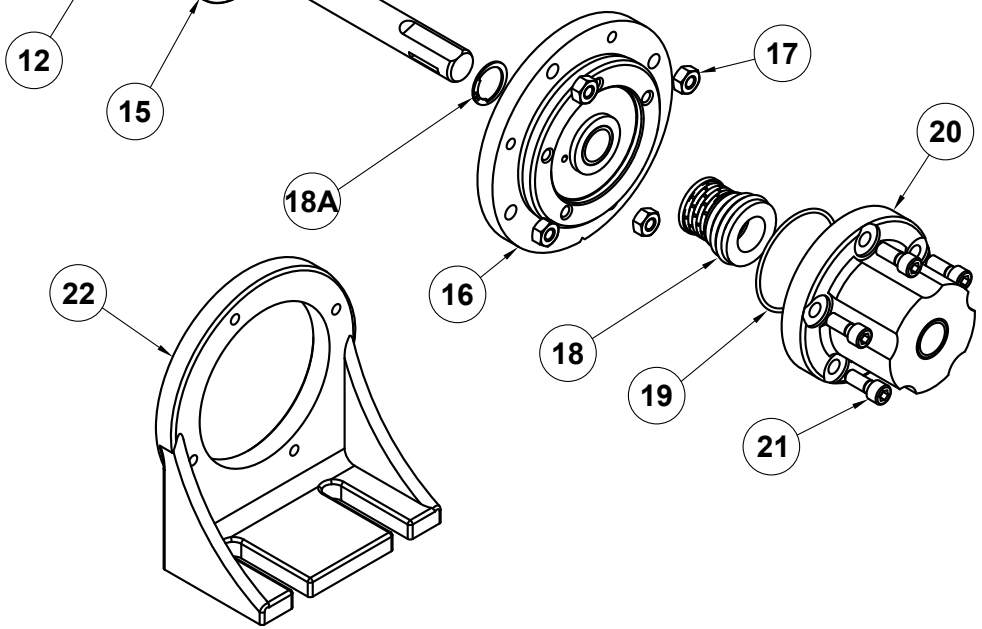
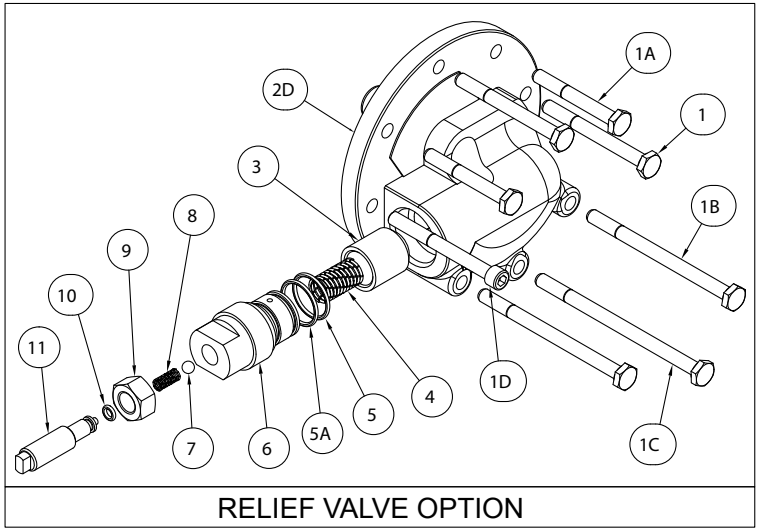
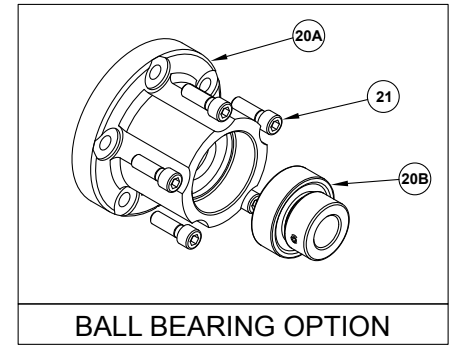
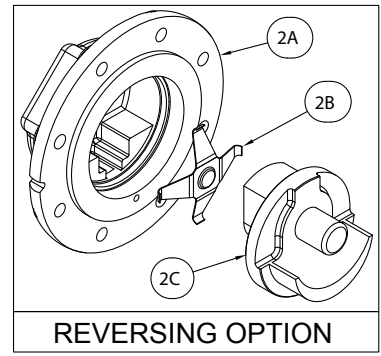
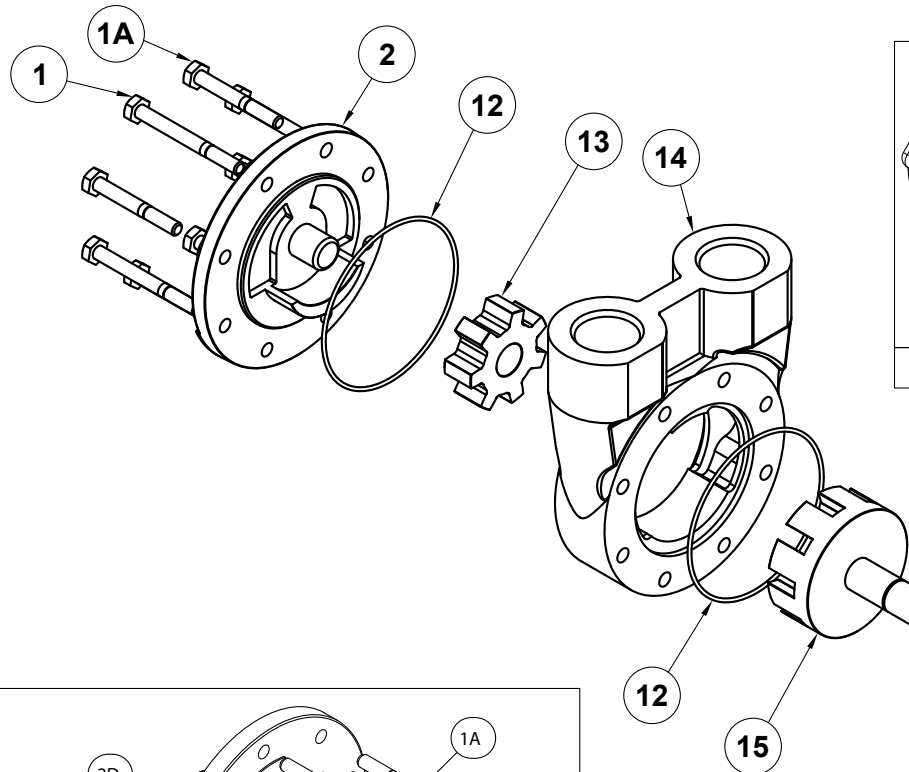


Table of Contents

4312 Pump.....	3	Relief Valve Option.....	12
Relief Valve Option.....	3	4316 Pump.....	13
Ball Bearing Option.....	3	Relief Valve Option.....	13
4332 Pump.....	4	Ball Bearing Option.....	13
Relief Valve Option.....	4	4336 Pump.....	14
4313 Pump.....	6	Relief Valve Option.....	14
Relief Valve Option.....	6		
Ball Bearing Option.....	6		
4333 Pump.....	7		
Relief Valve Option.....	7		
4314 Pump.....	8		
Relief Valve Option.....	8		
Ball Bearing Option.....	8		
4334 Pump.....	9		
Relief Valve Option.....	9		
4315 Pump.....	11		
Relief Valve Option.....	11		
Ball Bearing Option.....	11		
4335 Pump.....	12		



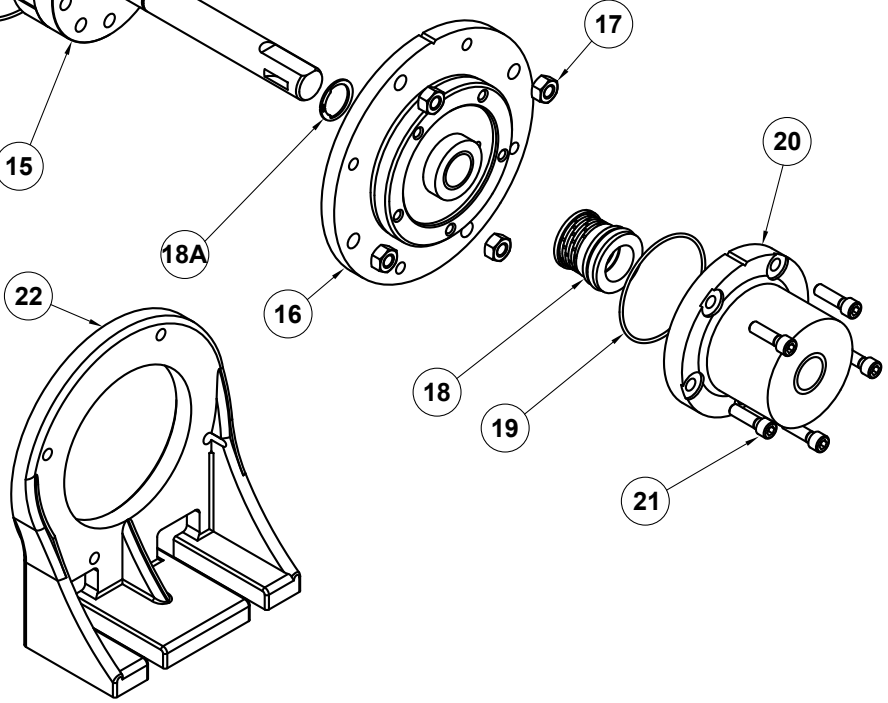
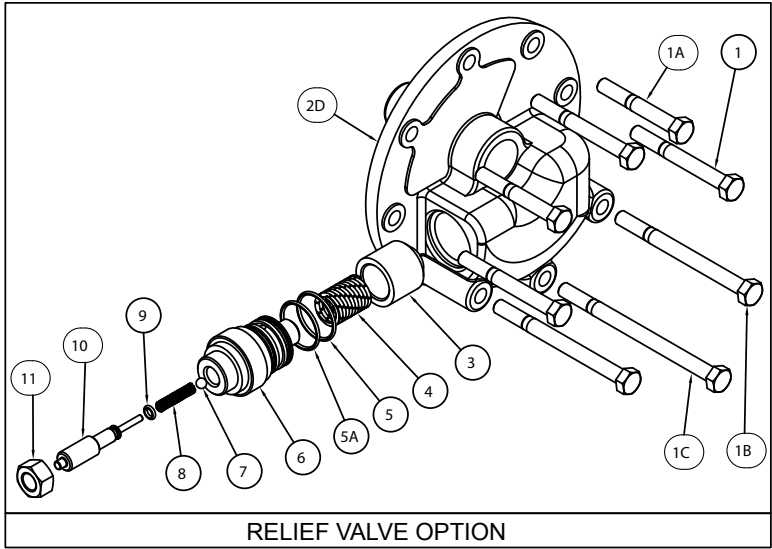
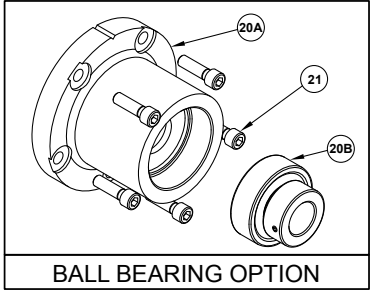
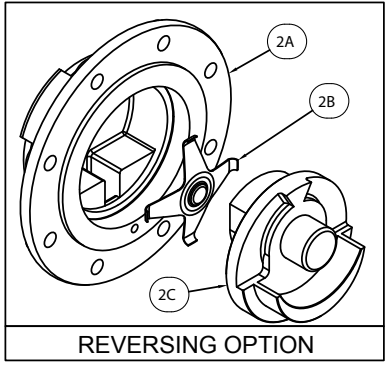
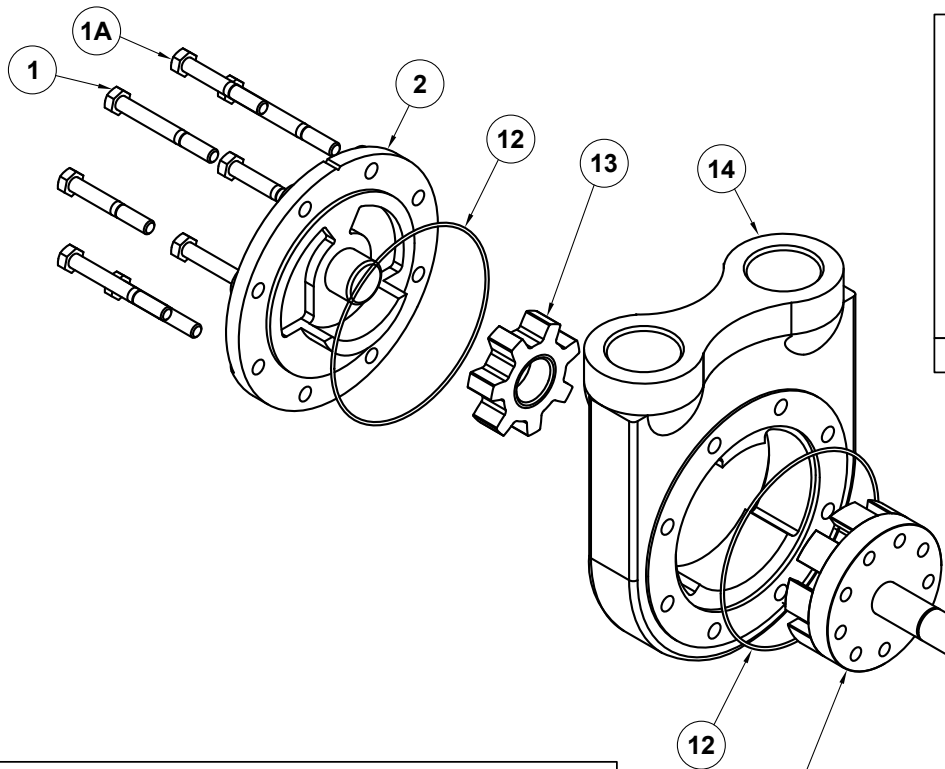
4312 Pump		
Item	Part Number	Description
1	P100-17-H	bolt (4)
1A	P100-2-H	bolt (4)
	P802-5	lockwasher for above (8)
2	2MU6	cover assembly
	2M31	idler pin only
12	P701-93-77	standard Viton O ring (2)
	P701-93-57	optional Neoprene O ring (2)
	P701-93-87	optional EPR O ring (2)
13	2M5-8350	idler gear
	2M33-8350	bushing only
14	2RCU22-1.0	housing
15	2C2B24	rotor
16	2C2F2-CR	bracket
	2MR71-8350	bushing only
17	P203-6	nut (4)
18	2C1B9-7	standard Viton seal
	2C1B9-5	optional Neoprene seal
	2C1B9-8	optional EPR seal
18A	P206-27	retaining ring
19	P701-213-77	standard Viton O ring
	P701-213-57	optional Neoprene O ring
	P701-213-87	optional EPR O ring
20	2C2B68	mechanical seal gland
	P612-18	bushing only
21	P105-115	bolt (5)
22	2C81	optional mounting foot

Relief Valve Option		
Item	Part Number	Description
1	P100-17-H	bolt (2)
1A	P100-2-H	bolt (2)
1B	P100-12-H	bolt (2)
1C	P100-26-H	bolt (1)
	P802-5	lockwasher for above (8)
1D	P105-88	bolt
2D	2C2V6-C	clockwise cover assy
	2M31	idler pin only
3	2CV58-A	plunger
4	2CV63-2	spring 10-200 psi
5	P701-129-77	standard Viton O ring
	P701-129-57	optional Neoprene O ring
	P701-129-87	optional EPR O ring
5A	P701-92-77	standard Viton O ring
	P701-92-57	optional Neoprene O ring
	P701-92-87	optional EPR O ring
6	2CV56	plug
7	P350-5	ball
8	2CV63-B	pilot spring
9	P203-15	nut
10	P701-10-77	standard Viton O ring
	P701-10-57	optional Neoprene O ring
	P701-10-87	optional EPR O ring
11	2CV527-A	adjusting screw

Ball Bearing Option		
Item	Part Number	Description
20A	2C2BN68	mechanical seal gland
20B	P602-17	ball bearing
21	P105-115	bolt (5)

4332 Pump		
Item	Part Number	Description
1	P100-17-H	bolt (4)
1A	P100-2-H	bolt (4)
	P802-5	lockwasher for above (8)
2	2MU6-8910	cover assembly
	2M31	idler pin only
12	P701-93-77	Viton O ring
13	2M5-8350	idler gear
	2M33-8350	bushing only
14	2RCU22-1.0	housing
15	2C2B24-8910	rotor
16	2C2F2-8910	bracket
	2M71-8910	bushing only
17	P203-6	nut (4)
18	2C1B9-7-8910	abrasion resistant Viton seal
18A	P206-27	retaining ring (2)
19	P701-213-77	Viton O ring
20	2C2B68-8910	housing plug
	P612-18	bushing only
21	P105-115	bolt (5)
22	2C1B79	adjusting sleeve
23	P103-57-S	set screw
24	P651-3	thrust bearing
25	P804-2	thrust washer (2)
26	P941-51	lip seal
27	2C81	optional mounting foot

Relief Valve Option		
Item	Part Number	Description
1	P100-17-H	bolt (2)
1A	P100-2-H	bolt (2)
1B	P100-12-H	bolt (2)
1C	P100-26-H	bolt (1)
	P802-5	lockwasher for above (8)
1D	P105-88	bolt
2D	2C2V6-C-8910	clockwise cover assy
	2M31	idler pin only
3	2CV58-A	plunger
4	2CV63-2	spring 10-200 psi
5	P701-129-77	standard Viton O ring
	P701-129-57	optional Neoprene O ring
	P701-129-87	optional EPR O ring
5A	P701-92-77	standard Viton O ring
	P701-92-57	optional Neoprene O ring
	P701-92-87	optional EPR O ring
6	2CV56	plug
7	P350-5	ball
8	2CV63-B	pilot spring
9	P203-15	nut
10	P701-10-77	standard Viton O ring
	P701-10-57	optional Neoprene O ring
	P701-10-87	optional EPR O ring
11	2CV527-A	adjusting screw



4313 Pump		
Item	Part Number	Description
1	P101-19-H	bolt (4)
1A	P101-1-H	bolt (4)
	P802-4	lockwasher for above (8)
2	3MU6	cover assembly
	3M31	idler pin only
12	P701-221-77	standard Viton O ring
	P701-221-57	optional Neoprene O ring
	P701-221-87	optional EPR O ring
13	3M5-8350	idler gear
	3M33-8350	bushing only
14	3RCU22-1.2	housing
15	3C2B24	rotor
16	3C2F2-CR	bracket
	3MR71-8350	bushing only
17	P203-5	nut (4)
18	3C1B9-7	standard Viton seal
	3C1B9-5	optional Neoprene seal
	3C1B9-8	optional EPR seal
18A	P206-36-S	retaining ring
19	P701-222-77	standard Viton O ring
	P701-222-57	optional Neoprene O ring
	P701-222-87	optional EPR O ring
20	3C2B68	mechanical seal gland
	P612-20	bushing only
21	P105-115	bolt (5)
22	3C81	optional mounting foot

Relief Valve Option		
Item	Part Number	Description
1	P101-19-H	bolt (3)
1A	P101-1-H	bolt (2)
1B	3CV508	bolt (2)
1C	P101-15-H	bolt (1)
	P802-4	lockwasher for above (8)
2D	3C2V6-C	clockwise cover assy
	3C2V6-CC	counterclockwise assy
	3M31	idler pin only
3	3CV58-X775	plunger
4	3CV63-4	spring 30-225 psi (std)
	3CV63-5	spring 20-150 psi
	3CV63-6	spring 45-250 psi
5	P701-129-77	standard Viton O ring
	P701-129-57	optional Neoprene O ring
	P701-129-87	optional EPR O ring
5A	P701-127-77	standard Viton O ring
	P701-127-57	optional Neoprene O ring
	P701-127-87	optional EPR O ring
6	3CV56	plug
7	P350-5	ball
8	3CV63	pilot spring
9	P701-10-77	standard Viton O ring
	P701-10-57	optional Neoprene O ring
	P701-10-87	optional EPR O ring
10	3CV527	adjusting screw
11	P203-15	nut

Ball Bearing Option		
Item	Part Number	Description
20A	3C2BN68	mechanical seal gland
20B	P602-18	ball bearing
21	P105-115	bolt (5)

4333 Pump		
Item	Part Number	Description
1	P101-19-H	bolt (4)
1A	P101-1-H	bolt (4)
	P802-4	lockwasher for above (8)
2	3MU6-8910	cover assembly
	3M31	idler pin only
12	P701-221-77	Viton O ring (2)
13	3M5-8350	idler gear
	3M33-8350	bushing only
14	3RCU22-1.2	housing
15	3C2B24-8910	rotor
16	3C2F2-8910	bracket
	3M71-8910	bushing only
17	P203-5	nut (4)
18	3C1B9-7-8910	abrasion resistant Viton seal
18A	P206-36-S	retaining ring (2)
19	P701-222-77	Viton O ring
20	3C2B68-8910	housing plug
	P612-20	bushing only
21	P105-115	bolt (5)
22	3C1B79	adjusting sleeve
23	P103-57-S	set screw
24	P651-4	thrust bearing
25	P804-3	thrust washer (2)
26	P941-52	lip seal
27	3C81	optional mounting foot

Relief Valve Option		
Item	Part Number	Description
1	P101-19-H	bolt (3)
1A	P101-1-H	bolt (2)
1B	3CV508	bolt (2)
1C	P101-15-H	bolt (1)
	P802-4	lockwasher for above (8)
2D	3C2V6-C-8910	clockwise cover assy
	3C2V6-CC-8910	counterclockwise assy
	3M31	idler pin only
3	3CV58-X775	plunger
4	3CV63-4	spring 30-225 psi (std)
	3CV63-5	spring 20-150 psi
	3CV63-6	spring 45-250 psi
5	P701-129-77	standard Viton O ring
	P701-129-57	optional Neoprene O ring
	P701-129-87	optional EPR O ring
5A	P701-127-77	standard Viton O ring
	P701-127-57	optional Neoprene O ring
	P701-127-87	optional EPR O ring
6	3CV56	plug
7	P350-5	ball
8	3CV63	pilot spring
9	P701-10-77	standard Viton O ring
	P701-10-57	optional Neoprene O ring
	P701-10-87	optional EPR O ring
10	3CV527	adjusting screw
11	P203-15	nut

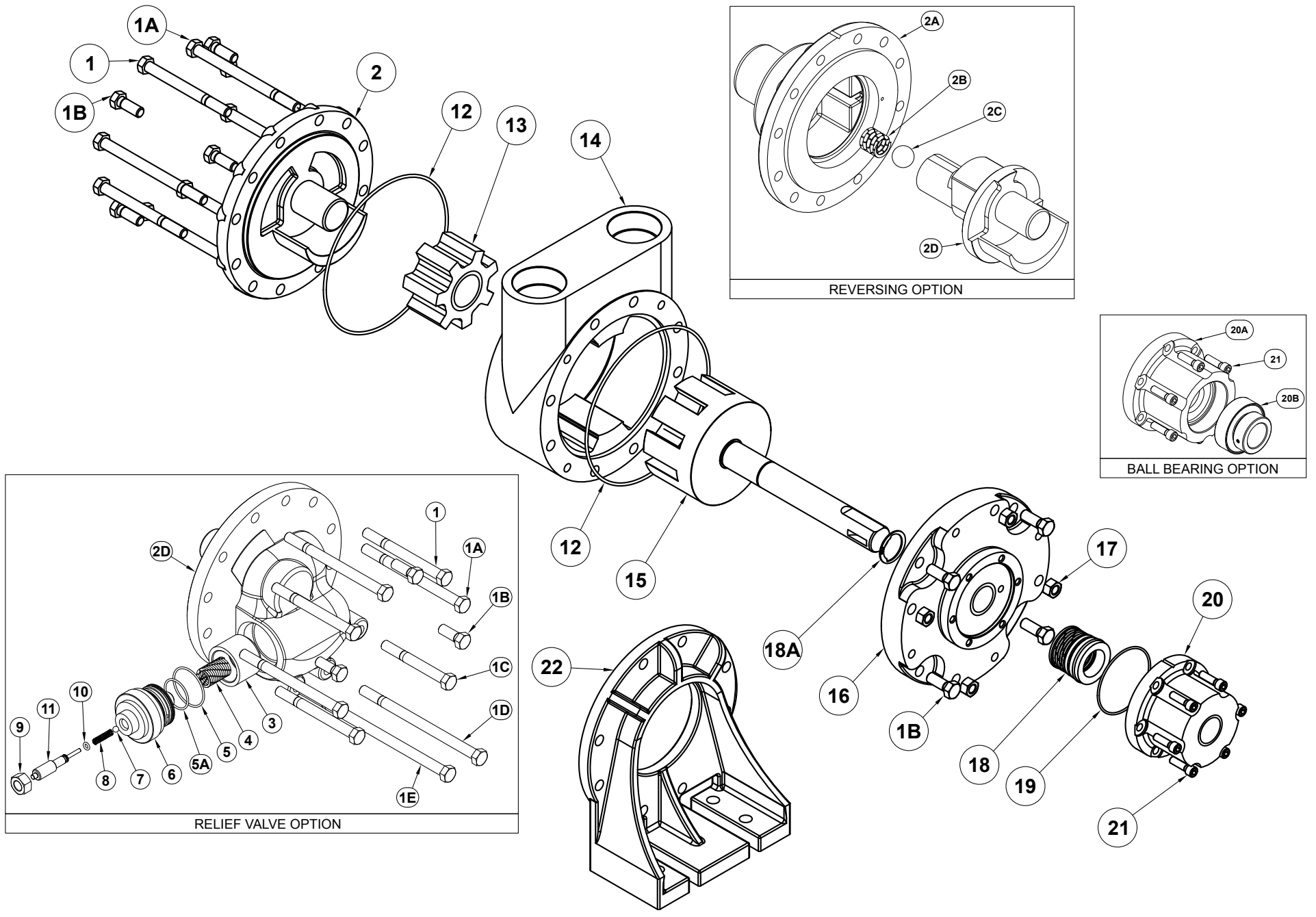
4314 Pump		
Item	Part Number	Description
1	P101-13-H	bolt (4)
1A	P101-4-H	bolt (4)
	P802-4	lockwasher for above (8)
2	4MU6	cover assembly
	4M31	idler pin only
12	P701-221-77	standard Viton O ring
	P701-221-57	optional Neoprene O ring
	P701-221-87	optional EPR O ring
13	4M5-8350	idler gear
	4M33-8350	bushing only
14	4RCU22-1.5	housing
15	4C2B24	rotor
16	3C2F2-CR	bracket
	3MR71-8350	bushing only
17	P203-5	nut (4)
18	3C1B9-7	standard Viton seal
	3C1B9-5	optional Neoprene seal
	3C1B9-8	optional EPR seal
18A	P206-36-S	retaining ring
19	P701-222-77	standard Viton O ring
	P701-222-57	optional Neoprene O ring
	P701-222-87	optional EPR O ring
20	3C2B68	mechanical seal gland
	P612-20	bushing only
21	P105-115	bolt (5)
22	3C81	optional mounting foot

Relief Valve Option		
Item	Part Number	Description
1	P101-13-H	bolt (3)
1A	P101-4-H	bolt (2)
1B	P101-15-H	bolt (2)
1C	P101-22-H	bolt (1)
	P802-4	lockwasher for above (8)
2D	4C2V6-C	clockwise cover assy
	4C2V6-CC	counterclockwise assy
	4M31	idler pin only
3	3CV58-X775	plunger
4	3CV63-4	spring 30-225 psi (std)
	3CV63-5	spring 20-150 psi
	3CV63-6	spring 45-250 psi
5	P701-129-77	standard Viton O ring
	P701-129-57	optional Neoprene O ring
	P701-129-87	optional EPR O ring
5A	P701-127-77	standard Viton O ring
	P701-127-57	optional Neoprene O ring
	P701-127-87	optional EPR O ring
6	3CV56	plug
7	P350-5	ball
8	3CV63	pilot spring
9	P701-10-77	standard Viton O ring
	P701-10-57	optional Neoprene O ring
	P701-10-87	optional EPR O ring
10	3CV527	adjusting screw
11	P203-15	nut

Ball Bearing Option		
Item	Part Number	Description
20A	3C2BN68	mechanical seal gland
20B	P602-18	ball bearing
21	P105-115	bolt (5)

4334 Pump		
Item	Part Number	Description
1	P101-13-H	bolt (4)
1A	P101-4-H	bolt (4)
	P802-4	lockwasher for above (8)
2	4MU6-8910	cover assembly
	4M31	idler pin only
12	P701-221-77	Viton O ring (2)
13	4M5-8350	idler gear
	4M33-8350	bushing only
14	4RCU22-1.5	housing
15	4C2B24-8910	rotor
16	3C2F2-8910	bracket
	3M71-8910	bushing only
17	P203-5	nut (4)
18	3C1B9-7-8910	abrasion resistant Viton seal
18A	P206-36-S	retaining ring (2)
19	P701-222-77	Viton O ring
20	3C2B68-8910	housing plug
	P612-20	bushing only
21	P105-115	bolt (5)
22	3C1B79	adjusting sleeve
23	P103-57-S	set screw
24	P651-4	thrust bearing
25	P804-3	thrust washer (2)
26	P941-52	lip seal
27	3C81	optional mounting foot

Relief Valve Option		
Item	Part Number	Description
1	P101-13-H	bolt (3)
1A	P101-4-H	bolt (2)
1B	P101-15-H	bolt (2)
1C	P101-22-H	bolt (1)
	P802-4	lockwasher for above (8)
2D	4C2V6-C-8910	clockwise cover assy
	4C2V6-CC-8910	counterclockwise assy
	4M31	idler pin only
3	3CV58-X775	plunger
4	3CV63-4	spring 30-225 psi (std)
	3CV63-5	spring 20-150 psi
	3CV63-6	spring 45-250 psi
5	P701-129-77	standard Viton O ring
	P701-129-57	optional Neoprene O ring
	P701-129-87	optional EPR O ring
5A	P701-127-77	standard Viton O ring
	P701-127-57	optional Neoprene O ring
	P701-127-87	optional EPR O ring
6	3CV56	plug
7	P350-5	ball
8	3CV63	pilot spring
9	P701-10-77	standard Viton O ring
	P701-10-57	optional Neoprene O ring
	P701-10-87	optional EPR O ring
10	3CV527	adjusting screw
11	P203-15	nut



4315 Pump		
Item	Part Number	Description
1	P102-12-H	bolt (4)
1A	P102-24-H	bolt (4)
1B	P102-2-H	bolt (8)
2	5MU6	cover assembly
	5M31	idler pin only
12	P701-183-77	standard Viton O ring
	P701-183-57	optional Neoprene O ring
	P701-183-87	optional EPR O ring
13	5M5-8350	idler gear
	5M33-8350	bushing only
14	5CU22-1.5	housing
15	5C2B24	rotor
16	5C2F2-CR	bracket
	5MR71-8350	bushing only
17	P203-4	nut (4)
18	5C1B9-7	standard Viton seal
	5C1B9-5	optional Neoprene seal
	5C1B9-8	optional EPR seal
18A	P206-37	retaining ring
19	P701-223-77	standard Viton O ring
	P701-223-57	optional Neoprene O ring
	P701-223-87	optional EPR O ring
20	5C2B68	mechanical seal gland
	P612-16	bushing only
21	P105-115	bolt (6)
22	5C81	optional mounting foot

Relief Valve Option		
Item	Part Number	Description
1	P102-12-H	bolt (3)
1A	P102-24-H	bolt (3)
1B	P102-2-H	bolt (3)
1C	P102-22-H	bolt (1)
1D	P102-6-H	bolt (1)
1E	P102-26-H	bolt (1)
2D	5C2V6-C	clockwise cover assy
	5C2V6-CC	counterclockwise assy
	5M31	idler pin only
3	5CV58-X775	plunger
4	3CV63-4	spring 30-225 psi (std)
	3CV63-5	spring 20-150 psi
	3CV63-6	spring 45-250 psi
5	P701-154-77	standard Viton O ring
	P701-154-57	optional Neoprene O ring
	P701-154-87	optional EPR O ring
5A	P701-112-77	standard Viton O ring
	P701-112-57	optional Neoprene O ring
	P701-112-87	optional EPR O ring
6	5CV56	plug
7	P350-5	ball
8	3CV63	pilot spring
9	P203-15	nut
10	P701-10-77	standard Viton O ring
	P701-10-57	optional Neoprene O ring
	P701-10-87	optional EPR O ring
11	3CV527	adjusting screw

Ball Bearing Option		
Item	Part Number	Description
20A	5C2BN68	mechanical seal gland
20B	P602-19	ball bearing
21	P105-115	bolt (5)

** Pumps having date codes including and preceding D07 (i.e. C07, B07, etc.) have a different part number for item 12. If ordering a replacement bracket, housing, and/or O-ring please contact the factory.

4335 Pump		
Item	Part Number	Description
1	P102-12-H	bolt (4)
1A	P102-24-H	bolt (4)
1B	P102-2-H	bolt (8)
2	5MU6-8910	cover assembly
	5M31	idler pin only
12	P701-183-77	Viton O ring (2)
13	5M5-8350	idler gear
	5M33-8350	bushing only
14	5CU22-1.5	housing
15	5C2B24-8910	rotor
16	5C2F2-8910	bracket
	5M71-8910	bushing only
17	P203-4	nut (4)
18	5C1B9-7-8910	abrasion resistant Viton seal
18A	P206-37	retaining ring (2)
19	P701-223-77	Viton O ring
20	5C2B68-8910	housing plug
	P612-16	bushing only
21	P105-115	bolt (5)
22	5C1B79	adjusting sleeve
23	P103-57-S	set screw
24	P651-5	thrust bearing
25	P804-4	thrust washer (2)
26	P941-53	lip seal
27	5C81	optional mounting foot

Relief Valve Option		
Item	Part Number	Description
1	P102-12-H	bolt (3)
1A	P102-24-H	bolt (3)
1B	P102-2-H	bolt (3)
1C	P102-22-H	bolt (1)
1D	P102-6-H	bolt (1)
1E	P102-26-H	bolt (1)
2D	5C2V6-C-8910	clockwise cover assy
	5C2V6-CC-8910	counterclockwise assy
	5M31	idler pin only
3	5CV58-X775	plunger
4	3CV63-4	spring 30-225 psi (std)
	3CV63-5	spring 20-150 psi
	3CV63-6	spring 45-250 psi
5	P701-154-77	standard Viton O ring
	P701-154-57	optional Neoprene O ring
	P701-154-87	optional EPR O ring
5A	P701-112-77	standard Viton O ring
	P701-112-57	optional Neoprene O ring
	P701-112-87	optional EPR O ring
6	5CV56	plug
7	P350-5	ball
8	3CV63	pilot spring
9	P203-15	nut
10	P701-10-77	standard Viton O ring
	P701-10-57	optional Neoprene O ring
	P701-10-87	optional EPR O ring
11	3CV527	adjusting screw

** Pumps having date codes including and preceding D07 (i.e. C07, B07, etc.) have a different part number for item 12. If ordering a replacement bracket, housing, and/or O-ring please contact the factory.

4316 Pump		
Item	Part Number	Description
1	P102-11-H	bolt (4)
1A	P102-25-H	bolt (4)
1B	P102-2-H	bolt (8)
2	6MU6	cover assembly
	6M31	idler pin only
12	P701-183-77	standard Viton O ring (2)
	P701-183-57	Optional Neoprene O ring (2)
	P701-183-87	optional EPR O ring (2)
13	6M5-8350	idler gear
	6M33-8350	bushing only
14	6CU22-2.0	housing
15	6C2B24	rotor
16	5C2F2-CR	bracket
	5MR71-8350	bushing only
17	P203-4	nut (4)
18	5C1B9-7	standard Viton seal
	5C1B9-5	optional Neoprene seal
	5C1B9-8	optional EPR seal
18A	P206-37	retaining ring
19	P701-223-77	standard Viton O ring
	P701-223-57	optional Neoprene O ring
	P701-223-87	optional EPR O ring
20	5C2B68	mechanical seal gland
	P612-16	bushing only
21	P105-115	bolt (6)
22	5C81	optional mounting foot

Relief Valve Option		
Item	Part Number	Description
1	P102-11-H	bolt (3)
1A	P102-25-H	bolt (3)
1B	P102-2-H	bolt (3)
1C	P102-22-H	bolt (1)
1D	P102-27-H	bolt (1)
1E	P102-34-H	bolt (1)
2D	6C2V6-C	clockwise cover assy
	6C2V6-CC	counterclockwise assy
	6M31	idler pin only
3	5CV58-X775	plunger
4	3CV63-4	spring 30-225 psi (std)
	3CV63-5	spring 20-150 psi
	3CV63-6	spring 45-250 psi
5	P701-154-77	standard Viton O ring
	P701-154-57	optional Neoprene O ring
	P701-154-87	optional EPR O ring
5A	P701-112-77	standard Viton O ring
	P701-112-57	optional Neoprene O ring
	P701-112-87	optional EPR O ring
6	5CV56	plug
7	P350-5	ball
8	3CV63	pilot spring
9	P203-15	nut
10	P701-10-77	standard Viton O ring
	P701-10-57	optional Neoprene O ring
	P701-10-87	optional EPR O ring
11	3CV527	adjusting screw

Ball Bearing Option		
Item	Part Number	Description
20A	5C2BN68	mechanical seal gland
20B	P602-19	ball bearing
21	P105-115	bolt (5)

** Pumps having date codes including and preceding D07 (i.e. C07, B07, etc.) have a different part number for item 12. If ordering a replacement bracket, housing, and/or O-ring please contact the factory.

4336 Pump		
Item	Part Number	Description
1	P102-11-H	bolt (4)
1A	P102-25-H	bolt (4)
1B	P102-2-H	bolt (8)
2	6MU6-8910	cover assembly
	6M31	idler pin only
12	P701-183-77	Viton O ring (2)
13	6M5-8350	idler gear
	6M33-8350	bushing only
14	6CU22-2.0	housing
15	6C2B24-8910	rotor
16	5C2F2-8910	bracket
	5M71-8910	bushing only
17	P203-4	nut (4)
18	5C1B9-7-8910	abrasion resistant Viton seal
18A	P206-37	retaining ring
19	P701-223-77	Viton O ring
20	5C2B68-8910	housing plug
	P612-16	bushing only
21	P105-115	bolt (5)
22	5C1B79	adjusting sleeve
23	P103-57-S	set screw
24	P651-5	thrust bearing
25	P804-4	thrust washer (2)
26	P941-53	lip seal
27	5C81	optional mounting foot

Relief Valve Option		
Item	Part Number	Description
1	P102-11-H	bolt (3)
1A	P102-25-H	bolt (3)
1B	P102-2-H	bolt (3)
1C	P102-22-H	bolt (1)
1D	P102-27-H	bolt (1)
1E	P102-34-H	bolt (1)
2D	6C2V6-C-8910	clockwise cover assy
	6C2V6-CC-8910	counterclockwise assy
	6M31	idler pin only
3	5CV58-X775	plunger
4	3CV63-4	spring 30-225 psi (std)
	3CV63-5	spring 20-150 psi
	3CV63-6	spring 45-250 psi
5	P701-154-77	standard Viton O ring
	P701-154-57	optional Neoprene O ring
	P701-154-87	optional EPR O ring
5A	P701-112-77	standard Viton O ring
	P701-112-57	optional Neoprene O ring
	P701-112-87	optional EPR O ring
6	5CV56	plug
7	P350-5	ball
8	3CV63	pilot spring
9	P203-15	nut
10	P701-10-77	standard Viton O ring
	P701-10-57	optional Neoprene O ring
	P701-10-87	optional EPR O ring
11	3CV527	adjusting screw

** Pumps having date codes including and preceding D07 (i.e. C07, B07, etc.) have a different part number for item 12. If ordering a replacement bracket, housing, and/or O-ring please contact the factory.

Tuthill Pump Group

12500 S. Pulaski Road, Alsip, IL 60803

www.tuthillpump.com

Excellence at work. Excellence in life.