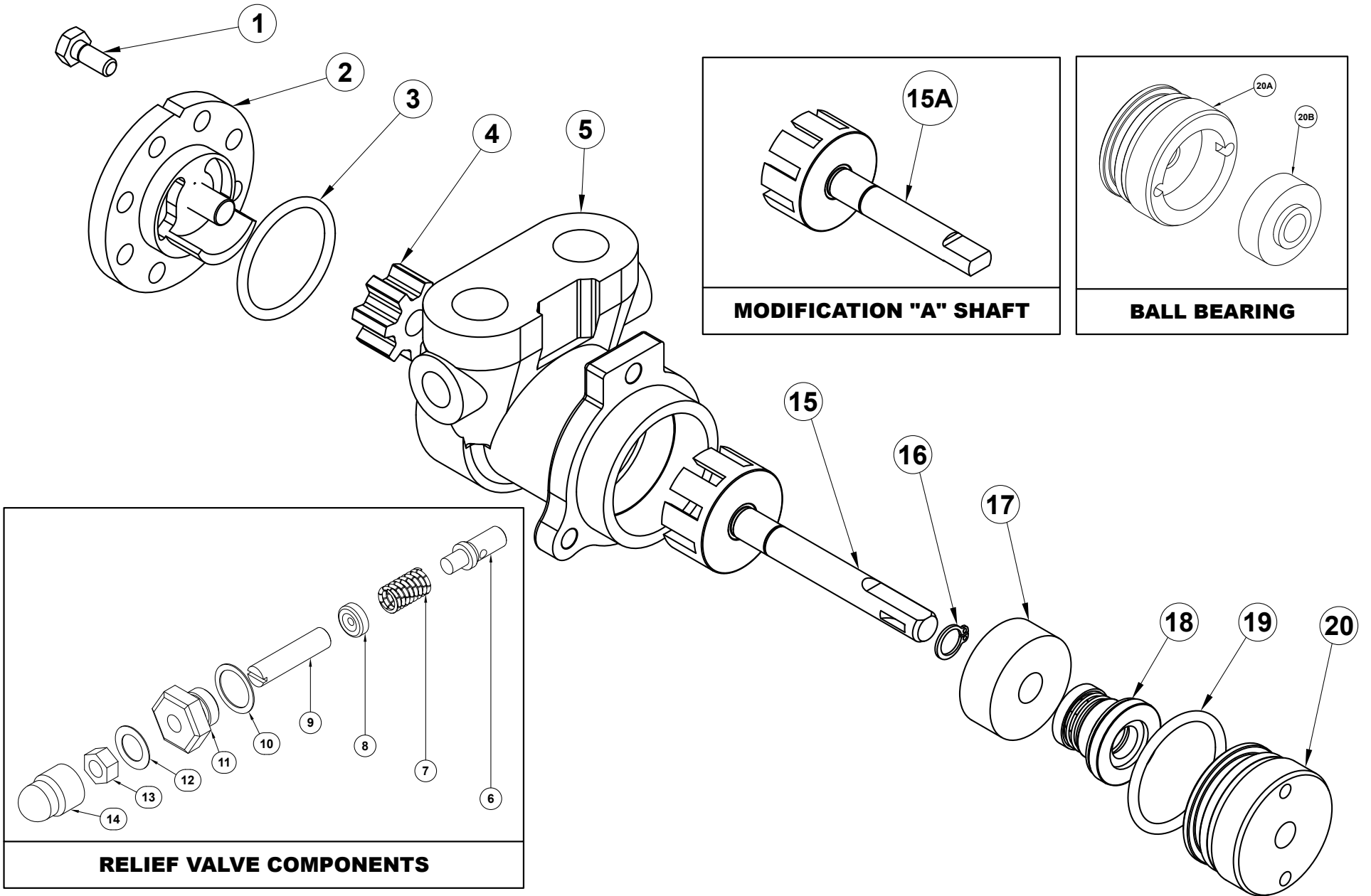


Table of Contents

4101 Pump.....	3	Relief Valve Option.....	10
Relief Valve Option.....	3	Ball Bearing Option.....	10
Ball Bearing Option.....	3	4124 Pump.....	11
4121 Pump.....	4	Relief Valve Option.....	11
Relief Valve Option.....	4	Ball Bearing Option.....	11
Ball Bearing Option.....	4	4105 Pump.....	12
4102 Pump.....	6	Relief Valve Option.....	12
Relief Valve Option.....	6	Ball Bearing Option.....	12
Ball Bearing Option.....	6	4125 Pump.....	13
4122 Pump.....	7	Relief Valve Option.....	13
Relief Valve Option.....	7	Ball Bearing Option.....	13
Ball Bearing Option.....	7	4108 Pump.....	15
4103 Pump.....	8	Relief Valve Option.....	15
Relief Valve Option.....	8	Ball Bearing Option.....	15
Ball Bearing Option.....	8	4128 Pump.....	16
4123 Pump.....	9	Relief Valve Option.....	16
Relief Valve Option.....	9	Ball Bearing Option.....	16
Ball Bearing Option.....	9		
4104 Pump.....	10		



4101 Pump		
Item	Part Number	Description
1	P100-1-H	screw (5)
2	30L6	cover assembly
	30L31	pin
3	P701-197-77	standard Viton O ring
	P701-197-57	optional Neoprene O ring
	P701-197-87	optional EPR O ring
4	30L32 -PPS	idler gear
5	30LE20	housing
	30LEV20-C	housing
	30LEV20-CC	housing
15	30LE24	rotor
15a	30LE24-A	modification "A" rotor
16	P206-34	retaining ring
17	30LA71-8350	bushing
18	1LA9-7	standard Viton seal
	1LA9-5	optional Neoprene seal
	1LA9-8	optional EPR seal
19	P701-34-77	standard Viton O ring
	P701-34-57	optional Neoprene O ring
	P701-34-87	optional EPR O ring
20	1LA11	housing plug

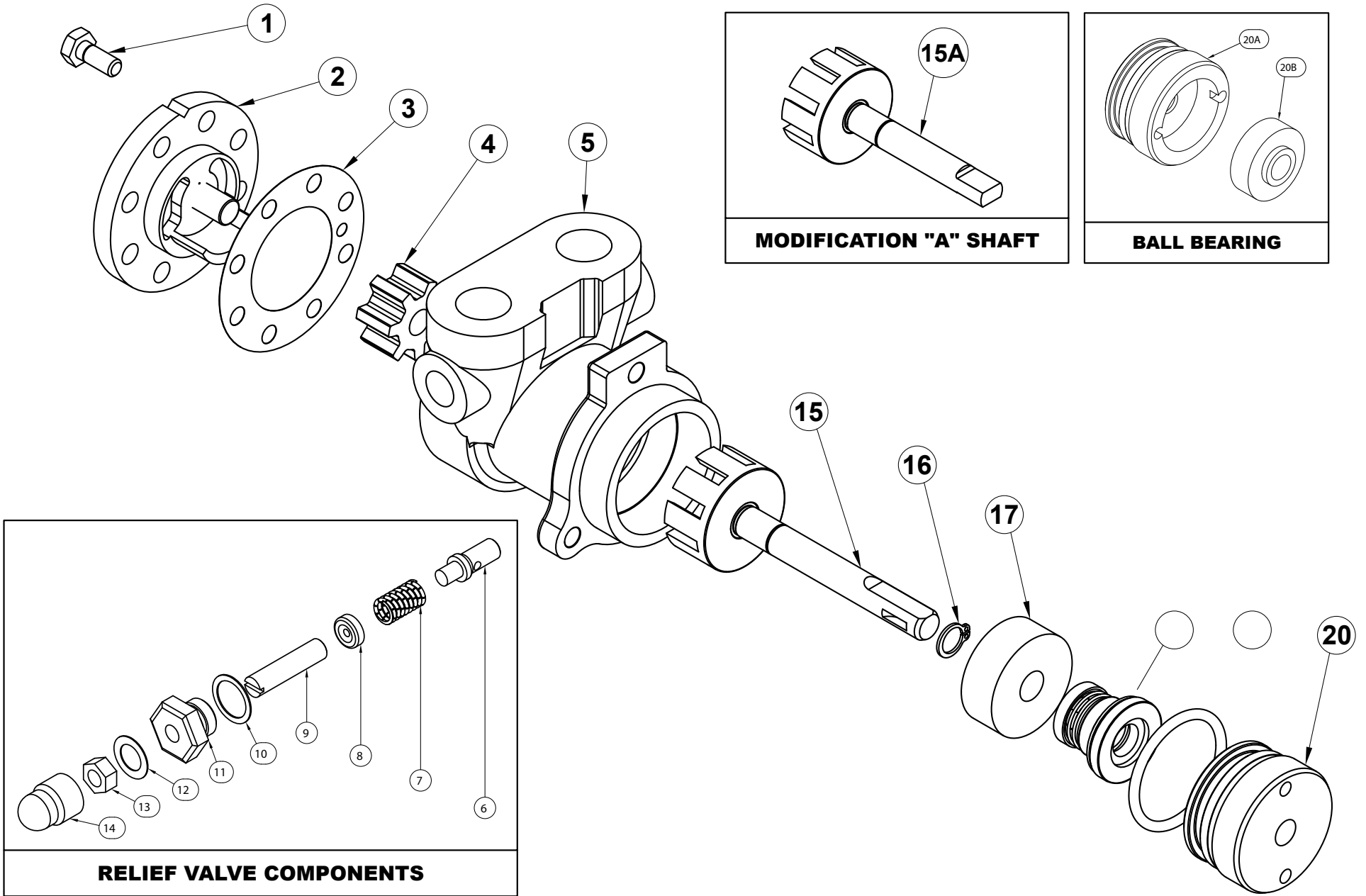
Relief Valve Option		
Item	Part Number	Description
6	0LV58-X201	plunger
7	0LWW63	standard spring (55-120)
	0C62-X201	optional spring (30-34)
	0C62-X299	optional spring (35-54)
	0LWWH63	optional spring (121-169)
	0LPV63	optional spring (170-374)
	0LV63X	optional spring (375-500)
8	30EN92	retainer
9	P103-11	adjusting screw
10	30F64-X201	valve cap gasket
11	0LWW56	valve cap gasket
12	30LE64-A	cap cover gasket
13	30LE528	nut
14	30LE56	acorn nut

Ball Bearing Option		
Item	Part Number	Description
20a	1LAK37	housing plug
20b	0LK511-E	ball bearing

4121 Pump		
Item	Part Number	Description
1	P100-1-H	screw (5)
2	30L6-8910	cover assembly
	30L31	pin
3	P701-197-77	Viton O ring
4	30L32	idler gear
5	30LE20	housing
	30LEV20-C	housing
	30LEV20-CC	housing
15	30LE24-8910	rotor
15a	30LE24-A-8910	modification "A" rotor
16	P206-34	retaining ring
17	30LA71-8910	bushing
18	1LA9-7-0920	Viton seal
19	P701-34-77	Viton O ring
20	1LA11	housing plug

Relief Valve Option		
Item	Part Number	Description
6	0LV58-X201	plunger
7	0LWW63	standard spring (55-120)
	0C62-X201	optional spring (30-34)
	0C62-X299	optional spring (35-54)
	0LWWH63	optional spring (121-169)
	0LPV63	optional spring (170-374)
	0LV63X	optional spring (375-500)
8	30EN92	retainer
9	P103-11	adjusting screw
10	30F64-X201	valve cap gasket
11	0LWW56	valve cap
12	30LE64-A	cap cover gasket
13	30LE528	nut
14	30LE56	acorn nut

Ball Bearing Option		
Item	Part Number	Description
20a	1LAK37	housing plug
20b	0LK511-E	ball bearing



4102 Pump		
Item	Part Number	Description
1	P100-21-H	screw (8)
2	00L6	cover assembly
	1M31	pin
3	0B34-.002	gasket
	0B34-.005	gasket
4	00L5-8350	idler assembly
5	0RLE20	housing
	0RLEV20-RH	housing
	0RLEV20-LH	housing
15	00LE24	rotor
15a	00LE24-A	modification "A" rotor
16	P206-34	retaining ring
17	1LA71-8350	bushing
18	1LA9-7	standard Viton seal
	1LA9-5	optional Neoprene seal
	1LA9-8	optional EPR seal
19	P701-34-77	standard Viton O ring
	P701-34-57	optional Neoprene O ring
	P701-34-87	optional EPR O ring
20	1LA11	housing plug

Relief Valve Option		
Item	Part Number	Description
6	0LV58-X201	plunger
7	0LWW63	standard spring (55-120)
	0C62-X201	optional spring (25-34)
	0C62-X299	optional spring (35-54)
	0LWWH63	optional spring (121-169)
	0LPV63	optional spring (170-374)
	0LV63X	optional spring (375-500)
8	30EN92	retainer
9	P103-11	adjusting screw
10	30F64-X201	valve cap gasket
11	0LWW56	valve cap
12	30LE64-A	cap cover gasket
13	30LE528	nut
14	30LE56	acorn nut

Ball Bearing Option		
Item	Part Number	Description
20a	1LAK37	housing plug
20b	0LK511-E	ball bearing

4122 Pump		
Item	Part Number	Description
1	P100-21-H	screw (8)
2	00L6-8910	cover assembly
	1M31	pin
3	0B34-.002	gasket
	0B34-.005	gasket
4	00L5-8350	idler assembly
5	0RLE20	housing
	0RLEV20-RH	housing
	0RLEV20-LH	housing
15	00LE24-8910	rotor
15a	00LE24-A-8910	modification "A" rotor
16	P206-34	retaining ring
17	1LA71-8910	bushing
18	1LA9-7-0920	Viton seal
19	P701-34-77	Viton O ring
20	1LA11	housing plug

Relief Valve Option		
Item	Part Number	Description
6	0LV58-X201	plunger
7	0LWW63	standard spring (55-120)
	0C62-X201	optional spring (25-34)
	0C62-X299	optional spring (35-54)
	0LWWH63	optional spring (121-169)
	0LPV63	optional spring (170-374)
	0LV63X	optional spring (375-500)
8	30EN92	retainer
9	P103-11	adjusting screw
10	30F64-X201	valve cap gasket
11	0LWW56	valve cap gasket
12	30LE64-A	cap cover gasket
13	30LE528	nut
14	30LE56	acorn nut

Ball Bearing Option		
Item	Part Number	Description
20a	1LAK37	housing plug
20b	0LK511-E	ball bearing

4103 Pump		
Item	Part Number	Description
1	P100-21-H	screw (8)
2	0L6	cover assembly
	1M31	pin
3	0B34-.002	gasket
	0B34-.005	gasket
4	0L5-8350	idler assembly
	0L33-8350	bushing only
5	0RLE20	housing
	0RLEV20-RH	housing
	0RLEV20-LH	housing
15	0LE24	rotor
15a	0LE24-A	modification "A" rotor
16	P206-34	retaining ring
17	1LA71-8350	bushing
18	1LA9-7	standard Viton seal
	1LA9-5	optional Neoprene seal
	1LA9-8	optional EPR seal
19	P701-34-77	standard Viton O ring
	P701-34-57	optional Neoprene O ring
	P701-34-87	optional EPR O ring
20	1LA11	housing plug

Relief Valve Option		
Item	Part Number	Description
6	0LV58-X201	plunger
7	0LWW63	standard spring (55-120)
	0C62-X201	optional spring (25-34)
	0C62-X299	optional spring (35-54)
	0LWWH63	optional spring (121-169)
	0LPV63	optional spring (170-374)
	0LV63X	optional spring (375-500)
8	30EN92	retainer
9	P103-11	adjusting screw
10	30F64-X201	valve cap gasket
11	0LWW56	valve cap
12	30LE64-A	cap cover gasket
13	30LE528	nut
14	30LE56	acorn nut

Ball Bearing Option		
Item	Part Number	Description
20a	1LAK37	housing plug
20b	0LK511-E	ball bearing

4123 Pump		
Item	Part Number	Description
1	P100-21-H	screw (8)
2	0L35-8910	cover
	1M31	pin
3	0B34-.002	gasket
	0B34-.005	gasket
4	0L5-8350	idler assembly
	0L33-8350	bushing only
5	0RLE20	housing
	0RLEV20-RH	housing
	0RLEV20-LH	housing
15	0LE24-8910	rotor
15a	0LE24-A-8910	modification "A" rotor
16	P206-34	retaining ring
17	1LA71-8910	bushing
18	1LA9-7-0920	Viton seal
19	P701-34-77	Viton O ring
20	1LA11	housing plug

Relief Valve Option		
Item	Part Number	Description
6	0LV58-X201	plunger
7	0LWW63	standard spring (55-120)
	0C62-X201	optional spring (30-34)
	0C62-X299	optional spring (35-54)
	0LWWH63	optional spring (121-169)
	0LPV63	optional spring (170-374)
	0LV63X	optional spring (375-500)
8	30EN92	retainer
9	P103-11	adjusting screw
10	30F64-X201	valve cap gasket
11	0LWW56	valve cap
12	30LE64-A	cap cover gasket
13	30LE528	nut
14	30LE56	acorn nut

Ball Bearing Option		
Item	Part Number	Description
20a	1LAK37	housing plug
20b	0LK511-E	ball bearing

4104 Pump		
Item	Part Number	Description
1	P100-21-H	screw (8)
2	1L6	cover assembly
	1L31	pin
3	0B34-.005	gasket
4	1M5-8350	idler assembly
	1M33-8350	bushing only
5	IRLE20	housing
	1RLEV20-RH	housing
	1RLEV20-LH	housing
15	1LE24	rotor
15a	1LE24-A	modification "A" rotor
16	P206-34	retaining ring
17	1LA71-8350	bushing
18	1LA9-7	standard Viton seal
	1LA9-5	optional Neoprene seal
	1LA9-8	optional EPR seal
19	P701-34-77	standard Viton O ring
	P701-34-57	optional Neoprene O ring
	P701-34-87	optional EPR O ring
20	1LA11	housing plug

Relief Valve Option		
Item	Part Number	Description
6	0LV58-X201	plunger
7	0LWW63	standard spring (55-120)
	0C62-X201	optional spring (25-34)
	0C62-X299	optional spring (35-54)
	0LWWH63	optional spring (121-169)
	0LPV63	optional spring (170-374)
	0LV63X	optional spring (375-500)
8	30EN92	retainer
9	P103-11	adjusting screw
10	30F64-X201	valve cap gasket
11	0LWW56	valve cap
12	30LE64-A	cap cover gasket
13	30LE528	nut
14	30LE56	acorn nut

Ball Bearing Option		
Item	Part Number	Description
20a	1LAK37	housing plug
20b	0LK511-E	ball bearing

4124 Pump		
Item	Part Number	Description
1	P100-21-H	screw (8)
2	1L6-8910	cover assembly
	1L31	pin
3	0B34-.005	gasket
4	1M5-8350	idler assembly
	1M33-8350	bushing only
5	1RLE20	housing
	1RLEV20-RH	housing
	1RLEV20-LH	housing
15	1LE24-8910	rotor
15a	1LE24-A-8910	modification "A" rotor
16	P206-34	retaining ring
17	1LA71-8910	bushing
18	1LA9-7-0920	Viton seal
19	P701-34-77	Viton seal
20	1LA11	housing plug

Relief Valve Option		
Item	Part Number	Description
6	0LV58-X201	plunger
7	0LWW63	standard spring (55-120)
	0C62-X201	optional spring (25-34)
	0C62-X299	optional spring (35-54)
	0LWWH63	optional spring (121-169)
	0LPV63	optional spring (170-374)
	0LV63X	optional spring (375-500)
8	30EN92	retainer
9	P103-11	adjusting screw
10	30F64-X201	valve cap gasket
11	0LWW56	valve cap
12	30LE64-A	cap cover gasket
13	30LE528	nut
14	30LE56	acorn nut

Ball Bearing Option		
Item	Part Number	Description
20a	1LAK37	housing plug
20b	0LK511-E	ball bearing

4105 Pump		
Item	Part Number	Description
1	P101-3-H	screw (6)
2	2L6	cover assembly
	2L31	pin
3	2RFD34-.013	gasket
4	2L5-8350	idler assembly
	2L33-8350	bushing only
5	2LE2-8350	housing assembly
	2LEV2-C-8350	housing assembly
	2LEV2-CC-8350	housing assembly
	1MR71-8350	housing bushing only
15	2LE24	rotor
15a	2LE24-A	modification "A": rotor
17	1MR71-8350	housing bushing only
18	1LA9-7	standard Viton seal
	1LA9-5	optional Neoprene seal
	1LA9-8	optional EPR seal
19	P701-34-77	standard Viton O ring
	P701-34-57	optional Neoprene O ring
	P701-34-87	optional EPR O ring
20	1LA11	housing plug

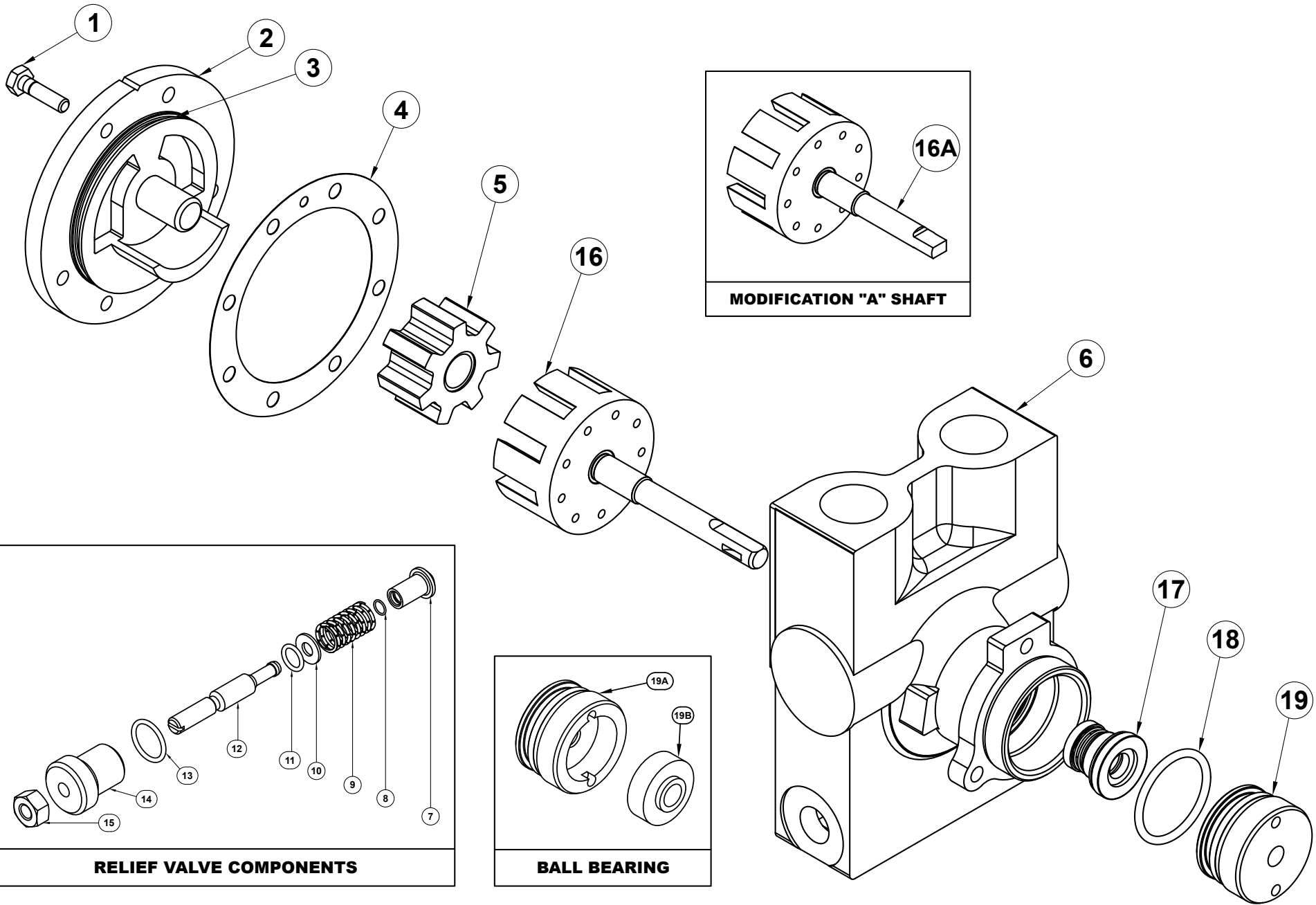
Relief Valve Option		
Item	Part Number	Description
6	0LV58-X201	plunger
7	0LWW63	standard spring (55-120)
	0C62-X201	optional spring (30-34)
	0C62-X299	optional spring (35-54)
	0LWWH63	optional spring (121-169)
	0LPV63	optional spring (170-374)
	0LV63X	optional spring (375-500)
8	30EN92	retainer
9	P103-11	adjusting screw
10	30F64-X201	valve cap gasket
11	0LWW56	valve cap
12	30LE64-A	cap cover gasket
13	30LE528	nut
14	30LE56	acorn nut

Ball Bearing Option		
Item	Part Number	Description
20a	1LAK37	housing plug
20b	0LK511-E	ball bearing

4125 Pump		
Item	Part Number	Description
1	P101-3-H	screw (6)
2	2L35-8910	cover
	2L31	pin
3	2RFD34-.013	gasket
4	2L5-8350	idler assembly
	2L33-8350	bushing only
5	2LE20	housing
	2LEV20-C	housing
	2LEV20-CC	housing
	1M71-8910	housing bushing only
15	2LE24-8910	rotor
15a	2LE24-A-8910	modification "A": rotor
17	1M71-8910	housing bushing only
18	1LA9-7-0920	Viton seal
19	P701-34-77	Viton O ring
20	1LA11	housing plug

Relief Valve Option		
Item	Part Number	Description
6	0LV58-X201	plunger
7	0LWW63	standard spring (55-120)
	0C62-X201	optional spring (25-34)
	0C62-X299	optional spring (35-54)
	0LWWH63	optional spring (121-169)
	0LPV63	optional spring (170-374)
	0LV63X	optional spring (375-500)
8	30EN92	retainer
9	P103-11	adjusting screw
10	30F64-X201	valve cap gasket
11	0LWW56	valve cap
12	30LE64-A	cap cover gasket
13	30LE528	nut
14	30LE56	acorn nut

Ball Bearing Option		
Item	Part Number	Description
20a	1LAK37	housing plug
20b	0LK511-E	ball bearing



4108 Pump		
Item	Part Number	Description
1	P100-6-H	screw (6)
	P802-5	lockwasher (6)
2	5LE6	cover assembly
	2R31	pin
3	P701-173-77	standard Viton O ring
	P701-173-57	optional Neoprene O ring
	P701-173-88	optional EPR O ring
4	2M34-JX726	gasket
5	5LE5-8350	idler assembly
	5LE33-8350	bushing only
6	5LE2-8350	housing assembly
	5LEV2-C-8350	housing assy
	5LEV2-CC-8350	housing assy
	5LER71-8350	housing bushing
16	5LE24	rotor
16a	5LE24-A	modification "A" rotor
17	1LA9-7	standard Viton seal
	1LA9-5	optional Neoprene seal
	1LA9-8	optional EPR seal
18	P701-34-77	standard Viton O ring
	P701-34-57	optional Neoprene O ring
	P701-34-87	optional EPR O ring
19	1LA11	housing plug

Relief Valve Option		
Item	Part Number	Description
7	5LEV58	plunger
8	5LEV77	retainer
9	P615-14	standard spring (40-70)
	5LE63	optional spring (70-225)
10	P800-9	valve cap gasket
11	P701-14-77	standard Viton O ring
	P701-14-57	optional Neoprene O ring
	P701-14-87	optional EPR O ring
12	5LEV527	adjusting screw
13	P701-129-77	standard Viton O ring
	P701-129-57	optional Neoprene O ring
	P701-129-87	optional EPR O ring
14	5LEV56	plug
15	30LE528	nut

Ball Bearing Option		
Item	Part Number	Description
19a	1LAK37	housing plug
19b	0LK511-E	ball bearing

4128 Pump		
Item	Part Number	Description
1	P100-6-H	screw (6)
	P802-5	lockwasher (6)
2	5LE6-8910	cover assembly
	2R31	pin
3	P701-173-77	Viton O ring
4	2M34-.003	gasket (2)
	2M34-.004	gasket (2)
	2M34-.005	gasket (2)
5	5LE5-8350	idler assembly
	5LE33-8350	bushing only
6	5LE20	housing
	5LEV20-C-8350	housing
	5LEV20-CC-8350	housing
	5LE71-8910	housing bushing
16	5LE24-8910	rotor
16a	5LE24-A-8910	modification "A" rotor
17	1LA9-7-0920	Viton seal
18	P701-34-77	Viton O ring
19	1LA11	housing plug

Relief Valve Option		
Item	Part Number	Description
7	5LEV58	plunger
8	5LEV77	retainer
9	P615-14	standard spring (40-70)
	5LE63	optional spring (70-225)
10	P800-9	valve cap gasket
11	P701-14-77	standard Viton O ring
	P701-14-57	optional Neoprene O ring
	P701-14-87	optional EPR O ring
12	5LEV527	adjusting screw
13	P701-129-77	standard Viton O ring
	P701-129-57	optional Neoprene O ring
	P701-129-87	optional EPR O ring
14	5LEV56	plug
15	30LE528	nut

Ball Bearing Option		
Item	Part Number	Description
19a	1LAK37	housing plug
19b	0LK511-E	ball bearing

Tuthill Pump Group

12500 S. Pulaski Road, Alsip, IL 60803

www.tuthillpump.com

Excellence at work. Excellence in life.